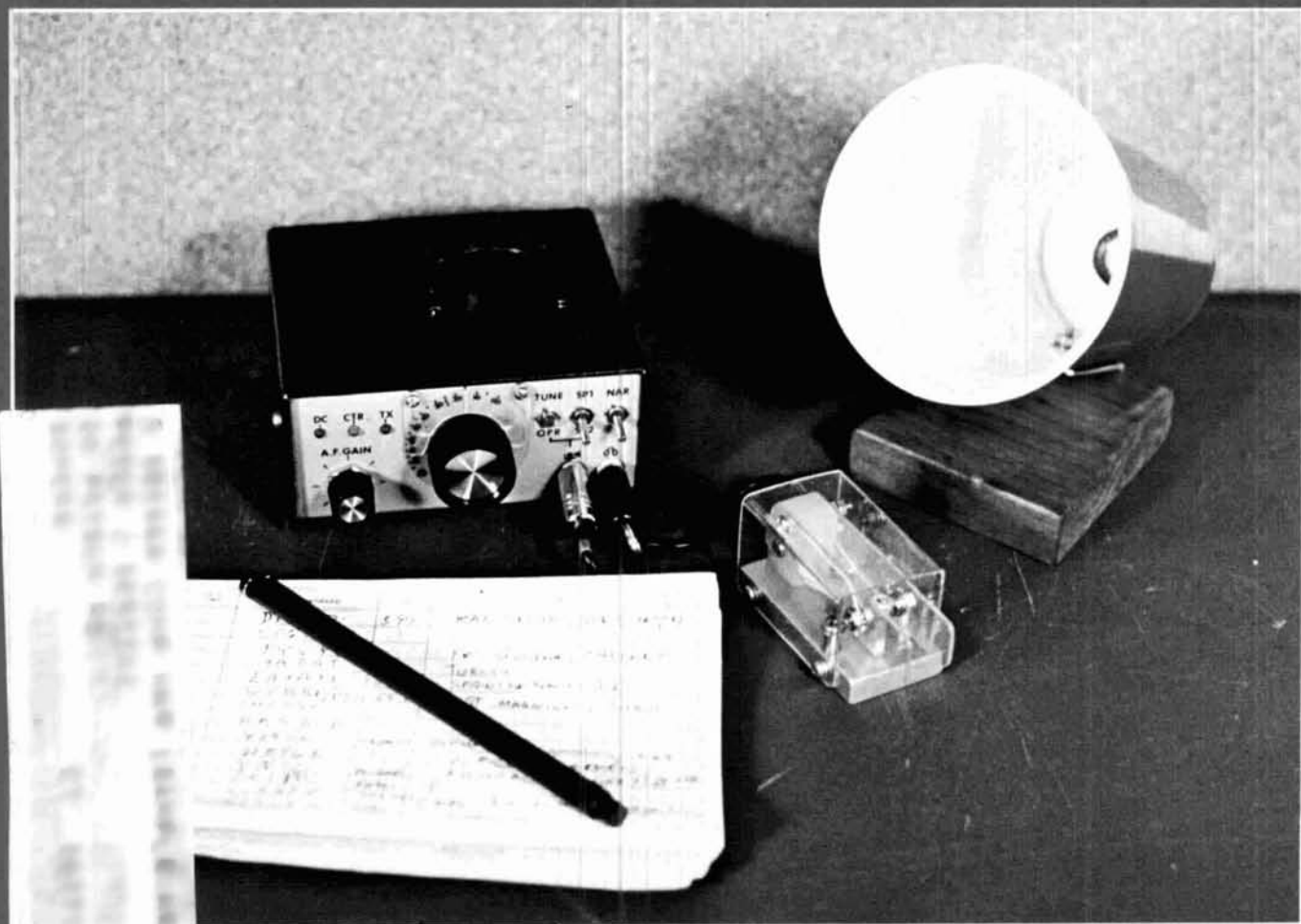


# HAM RADIO



\*\*\*  
Kender Projects:

- Solo-16 Acoustic CW Speaker
- DTMF Group Call Decoder

Also...

*The Heathkit Seneca as a 2-Meter FM Amplifier*

Plus...

*Your favorite columnists, Ham Notes, New Products, and more!*



# HOW DO YOU PACK 7 WATTS, 20 MEMORIES AND SCANNING INTO A HANDHELD?

**IC-2GAT:** 7 Watts Rx 138-174MHz; Tx 140-150MHz

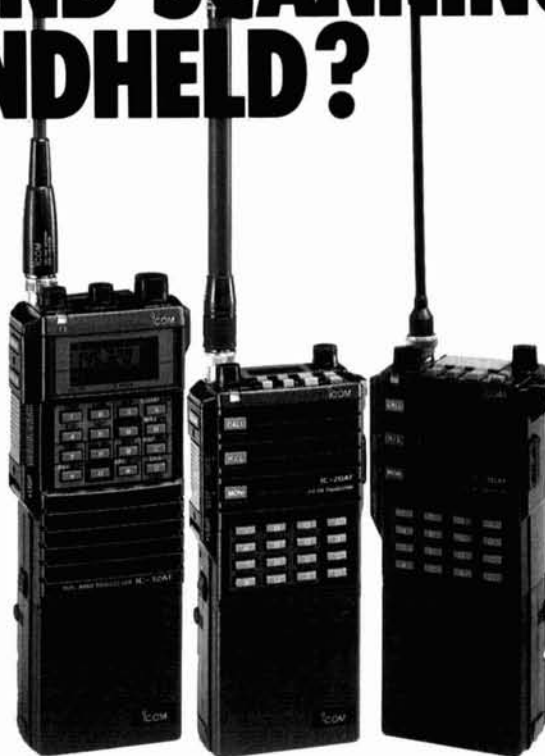
**IC-4GAT:** 6 Watts 440-450MHz

**IC-32AT:** 5 Watts Rx 138-174MHz/440-450MHz;  
Tx 140-150MHz/440-450MHz

## A New Generation of Powerful, Versatile Handhelds.

Select a new "G Series" or dual band ICOM transceiver and enjoy full base station luxury in a portable unit designed especially for you!

- **Maximum Frequency Coverage.** The IC-2GAT receives 138-174MHz, including NOAA, and transmits 140-150MHz to include CAP and MARS frequencies. The IC-4GAT operates 440-450MHz, and the IC-32AT receives 138-174MHz and operates 140-150MHz/440-450MHz.
- **Most Powerful Handheld!** The IC-2GAT delivers seven watts! The IC-4GAT is six watts and the IC-32AT is five watts! One watt level selectable for local QSO's.
- **20 Memories.** Store any frequency, Tx offset and subaudible tone in any memory. Total flexibility!
- **Programmable Scanning** of band and memories plus easy lockout and instant memory recall.
- **Additional Features.** Battery saver, call channel, all subaudible tones, multi-function LCD readout and DTMF pad.
- **Compatible Accessories.** All ICOM IC-2AT/02AT series battery packs, headsets and speaker mics are interchangeable.
- **Optional UT-40 Beeper** silently monitors a busy channel for your calls. When the pre-programmed subaudible tone is received, the unit beeps and the LCD flashes.



**IC-32AT**  
2 Meters and  
440MHz

**IC-2GAT**  
2 Meters

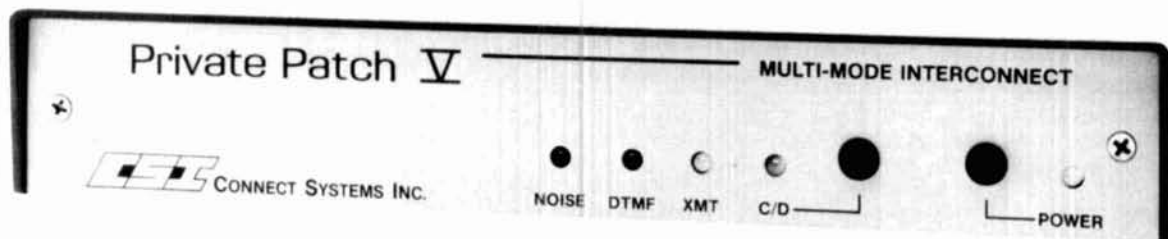
**IC-4GAT**  
440MHz

**ICOM**  
First in Communications

ICOM America, Inc., 2380-116th Ave. N.E., Bellevue, WA 98004  
**Customer Service Hotline (206) 454-7619**  
 3150 Premier Drive, Suite 126, Irving, TX 75063  
 1777 Phoenix Parkway, Suite 201, Atlanta, GA 30349  
 ICOM CANADA, A Division of ICOM America, Inc., 3071 - #5 Road, Unit 9,  
 Richmond, B.C. V6X 2T4 Canada

All stated specifications are subject to change without notice or obligation. All ICOM radios significantly exceed FCC regulations limiting spurious emissions. HH488.

# FOUR user selectable operating modes and a 90 number autodialer make Private Patch V the **ONLY** choice!



## SELECT AN OPERATING MODE USING THE BUILT-IN KEYBOARD . . .

### 1. SIMPLEX SAMPLING PATCH

Private Patch V achieves a level of sampling patch performance unobtainable in any other product. Crucial to performance is the noise squelch filter. Compare our five pole filter to the competition's two pole filter. Advanced software algorithms perform noise correlation tests which result in greater useable range than the competition. Nine selectable VOX enhancement ratios allow you to vary performance from straight sampling to highly VOX enhanced. (sampling rate decreased while the land party is speaking). The mobile is in full control and can break-in at any time.

### 2. SIMPLEX VOX PATCH

VOX mode offers superb simplex operation with any radio, including synthesized and relay switched models. VOX mode has other advantages too. **1.** A linear amplifier can be used to extend straight simplex range. **2.** You can operate through any remotely located repeater to greatly extend range. **3.** If desired you can connect Private Patch V to the MIC and speaker jack of your radio. **NO INTERNAL CONNECTIONS ARE REQUIRED.** Control is maintained automatically with built-in dial tone detection, busy signal detection and fully programmable activity and time out timers. An optional electronic voice delay board eliminates first word clipping with slow switching radios.

### 3. DUPLEX PATCH

Select duplex mode when connecting Private Patch V to your existing repeater or duplex base station. Many features including semi-duplex privacy mode are user programmable. The mobile is in full control at all times.

### 4. REPEATER CONTROLLER

Private Patch V will convert any receiver and transmitter into an outstanding performing repeater with duplex autopatch. Features such as repeater on/off code, hangtime, activity timer time, CW ID interval etc. are fully user programmable. Private Patch V is the right choice for your club system.

Private Patch V is a totally new concept in automatic phone patches. A built-in keyboard and menu driven display allow you to customize all modes, features, and functions specifically to *your application*.

Private Patch V can be a sampling patch today. A VOX patch tomorrow. And a repeater controller next year!

You may never need another patch again.

## COMPARE THESE FEATURES . . .

- 90 phone number autodialer
- Last number redial
- Regenerated tone/pulse dialing
- Toll restrict: 1st and 2nd digit restrict, prefix lockout and digit counting
- 1-5 digit connect/disconnect code
- 2-5 digit secret toll override code
- User programmable CW ID
- Remote hook flash
- Auto disconnect on dialtone/busy signals
- Telephone remote base
- Remote controlled relay (relay optional)
- Lightning protected

**Call or write today for your FREE brochure.**



**CONNECT SYSTEMS INC.**

2064 Eastman Ave., #113      Ventura, CA 93003  
Phone (805) 642-7184      FAX (805) 642-7271

AMATEUR ELECTRONIC SUPPLY: Milwaukee WI. Wickliffe OH. Orlando FL. Clearwater FL. Las Vegas NV • BARRY ELECTRONICS CORP: New York NY • ERICKSON COMMUNICATIONS: Chicago IL • HAM RADIO OUTLET: Anaheim CA. Burlingame CA. Oakland CA. Phoenix AZ San Diego CA. Van Nuys CA. Atlanta GA • HENRY RADIO: Los Angeles CA • INTERNATIONAL RADIO SYSTEMS: Miami FL • JUNS ELECTRONICS: Culver City CA • MADISON ELECTRONICS SUPPLY: Houston TX • MIAMI RADIO CENTER CORP: Miami FL • MIKES ELECTRONICS: Ft. Lauderdale, FL • N&G DISTRIBUTING CORP: Miami FL • OMNI ELECTRONICS: Laredo TX • PACE ENGINEERING: Tucson AZ • THE HAM STATION: Evansville IN • VALLEY RADIO CENTER: Hartingen TX • CANADA—COM-WEST RADIO SYSTEMS, LTD: Vancouver BC

# KENWOOD

...pacesetter in Amateur Radio

All New Compact HF!

## “DX-citing!”

### TS-440S Compact high performance HF transceiver with general coverage receiver

Kenwood's advanced digital know-how brings Amateurs world-wide "big-rig" performance in a compact package. We call it "Digital DX-citement"—that special feeling you get every time you turn the power on!

- Covers All Amateur bands  
General coverage receiver tunes from 100 kHz—30 MHz. Easily modified for HF MARS operation.
- Direct keyboard entry of frequency
- All modes built-in  
USB, LSB, CW, AM, FM, and AFSK. Mode selection is verified in Morse Code.
- Built-in automatic antenna tuner (optional)  
Covers 80-10 meters.
- VS-1 voice synthesizer (optional)



- Superior receiver dynamic range  
Kenwood DynaMix™ high sensitivity direct mixing system ensures true 102 dB receiver dynamic range. (500Hz bandwidth on 20 m)
- 100% duty cycle transmitter  
Super efficient cooling permits continuous key-down for periods exceeding one hour. RF input power is rated at 200 W PEP on SSB, 200 W DC on CW, AFSK, FM, and 110 W DC AM. (The PS-50 power supply is needed for continuous duty.)



- Adjustable dial torque
- 100 memory channels  
Frequency and mode may be stored in 10 groups of 10 channels each. Split frequencies may be stored in 10 channels for repeater operation.
- TU-8 CTCSS unit (optional)
- Superb interference reduction  
IF shift, tuneable notch filter, noise blanker, all-mode squelch, RF attenuator, RIT/XIT, and optional filters fight QRM.
- MC-43S UP/DOWN mic. included
- Computer interface port
- 5 IF filter functions
- Dual SSB IF filtering  
A built-in SSB filter is standard. When an optional SSB filter (YK-88S or YK-88SN) is installed, **dual** filtering is provided.
- VOX, full or semi break-in CW
- AMTOR compatible



#### Optional accessories:

- AT-440 internal auto. antenna tuner (80 m—10 m)
- AT-250 external auto. tuner (160 m—10 m)
- AT-130 compact mobile antenna tuner (160 m—10 m)
- IF-232C/IC-10 level translator and modern IC kit
- PS-50 heavy duty power supply
- PS-430/PS-30 DC power supply
- SP-430 external speaker
- MB-430 mobile mounting bracket
- YK-88C/88CN 500 Hz/270 Hz CW filters
- YK-88S/88SN 2.4 kHz/1.8 kHz SSB filters
- MC-60A/80/85 desk microphones
- MC-55 (8P) mobile microphone
- H-S-5/6/7 headphones
- SP-40/50B mobile speakers
- MA-5/VP-1 HF 5 band mobile helical antenna and bumper mount
- TL-922A 2 kw PEP linear amplifier
- SM-220 station monitor
- VS-1 voice synthesizer
- SW-100A/200A/2000 SWR/power meters
- TU-8 CTCSS tone unit
- PG-2S extra DC cable.

Kenwood takes you from HF to OSCAR!



Complete service manuals are available for all Kenwood transceivers and most accessories. Specifications and prices are subject to change without notice or obligation.

## KENWOOD

KENWOOD U.S.A. CORPORATION  
2201E. Dominguez St., Long Beach, CA 90810  
P.O. Box 22745, Long Beach, CA 90801-5745

# HAM RADIO

MARCH 1989

volume 22, number 3

**T. H. Tenney, Jr., W1NLB**  
publisher  
and editor-in-chief

Terry Northup, KA1STC  
managing editor

Marty Durham, NB1H  
technical editor

Robert D. Wilson, WA1TKH  
consulting editor

Tom McMullen, W1SL  
Joseph J. Schroeder, W9JUV  
Alfred Wilson, W6NIF  
associate editors

Susan Shorrock  
production editor

Peggy Tenney, KA1QDG  
copy editor

Beth McCormack  
editorial assistant

## editorial review board

Peter Bertini, K1ZJH  
Forrest Gehrke, K2BT  
Michael Gruchalla, P.E.  
Bob Lewis, W2EBS  
Mason Logan, K4MT  
Vern Riportella, WA2LQQ  
Ed Wetherhold, W3NQN

## publishing staff

**J. Craig Clark, Jr., N1ACH**  
assistant publisher

Henry S. Gallup, N1GCF  
director of advertising sales

Dorothy Sargent, KA1ZK  
advertising production manager

Susan Shorrock  
circulation manager

Therese Bourgault  
circulation

Phil Alix, N1FPX  
traffic manager

Maribeth Buchanan  
**HAM RADIO** Bookstore

Rick Littlefield, KB1QT  
cover photo

**HAM RADIO** Magazine is published monthly by  
Communications Technology, Inc.  
Greenville, New Hampshire 03048-0498  
Telephone: 603-878-1441

## subscription rates

United States:

one year, \$22.95; two years, \$38.95; three years, \$49.95

Europe (via KLM air mail), \$40.00

Canada, Japan, South Africa and other countries (via surface mail),  
one year, \$31.00; two years, \$55.00; three years, \$74.00

All subscription orders payable in U.S. funds, via international  
postal money order or check drawn on U.S. bank

international subscription agents: page 95

Microfilm copies are available from  
Buckmaster Publishing  
Mineral, Virginia 23117

Cassette tapes of selected articles from **HAM RADIO**  
are available to the blind and physically handicapped  
from Recorded Periodicals,  
919 Walnut Street, Philadelphia, Pennsylvania 19107

Copyright 1989 by Communications Technology, Inc.  
Title registered at U.S. Patent Office

Second-class postage paid  
at Greenville, New Hampshire 03048-0498  
and at additional mailing offices  
ISSN 0148-5989

Send change of address to **HAM RADIO**  
Greenville, New Hampshire 03048-0498

## FEATURES

### 8 The Heathkit Seneca As a 2-Meter FM Amplifier

Clifford J. Bader, W3NNL

### 12 The Weekender: Solo-16 Acoustic CW Speaker

Rick Littlefield, K1BQT

### 17 Ham Radio Techniques: The "Invention of Radio"

Bill Orr, W6SAI

### 23 Station Control Node Expand Your Versatility with the SCN

Barry Buelow, WA0RJT

### 35 QSK Modification for the Trio-Kenwood TL-922 Amplifier

Richard L. Measures, AG6K

### 42 Understanding and Using 723 Voltage Regulators

W.C. Cloninger, Jr., K3OF

### 53 The Weekender: DTMF Group Call Decoder

Roger Owens, AA4NX

### 59 Electro-Braille Transducers and Their Application

G.W. Horn, I4MK

### 75 Practically Speaking: RF Wattmeters and Antenna VSWR Meters

Joe Carr, K4IPV

### 81 A Simple PROM Programmer

Michael Moore, WV6A

### 96 Elmer's Notebook: Packet Radio for the First Timer

Tom McMullen, W1SL

On the Cover:

Solo-16 Acoustic CW Speaker.



W3NNL, page 8



I4MK, page 59



## THE WEEKENDER

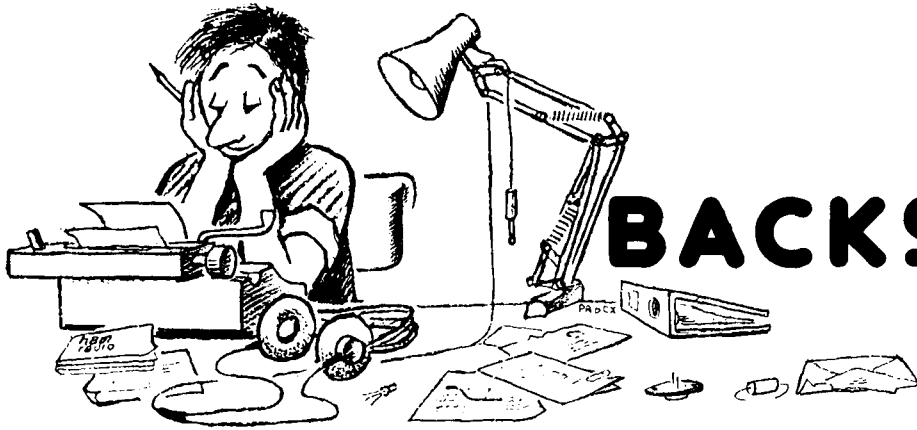
KB1QT, page 12

AA4NX, page 53

See page 93 for the winners of  
January's Weekender contest.

## DEPARTMENTS

Backscatter	4	Flea Market	94
Comments	6	DX Forecaster	102
Ham Notebook	32	Advertiser's Index	110
New Products	86-93	Reader Service	110
Ham Mart	92		



# BACKSCATTER

## NO-CODE REVISITED

The no-code license concept has resurfaced in the Amateur Radio press. In the December 1st issue of *W5YI REPORT*, Fred Maia, W5YI, reopened "Pandora's box" and suggested that a no-code license be considered once again. Citing the decreased number of youths interested in becoming hams, several other interrelated factors, and the political climate in Washington, Maia feels that now is the time to actively reconsider no-code.

A number of countries already have no-code VHF licenses; Canada is considering implementing one in the very near future. But what is no-code, really? Is it an attempt to get thousands of new "hams" into the hobby at the expense of those already licensed? Or is it a logical outgrowth of incentive licensing and a step that should have been taken over 20 years ago?

Obviously this is going to be an emotional, highly charged question. The January issue of *QST* has a rather well-balanced editorial discussing code and its applications to the Amateur Radio service. As a democratic organization, the ARRL members are the ones that will make ARRL policy about code. In the last no-code round, letters ran 25 to 1 against the proposal. *QST*'s January 1989 issue, continuing to echo that feeling, contains 13 pro-code letters. Early in January, the League set up a study committee to look at the subject of code. The members are: W4OYI, K1ZZ, and KB6ZV, representing the League; W2GD and KØPP (Montana's SCM) from the general Amateur community; N7ML and W5TOO from the Amateur Radio industry; VE3CDM, CRRL President; and W5KL, QCQA President. Hopefully, this group won't succumb to emotional interests and will take a balanced look at all the issues before making any recommendations to their fellow Amateurs. Arguments can be made for both sides of the controversy. However, does Amateur Radio need growth at this time, or is a 2 to 3 percent per year growth rate adequate? Some Amateurs feel that the bands are already crowded enough and that further growth will be counterproductive to Amateur Radio. Others argue that a basic qualifier, like code, serves as a filter to eliminate those who don't belong in the Amateur ranks. You could make an argument that code at 5 WPM is hardly an insurmountable barrier. I find it of interest that making the theory test easier than the one currently taken by Novices isn't even an issue. (I'd like to know if professionals in the education field think that learning the code is really an impediment to getting a ham license. Or are some people who don't want to put in the effort just looking for a convenient cop-out?)

But the League doesn't represent all licensed Radio Amateurs — in fact less than half of the Amateur population are League members. What about the rest of you; where do you stand?

The current licensing system is based on a series of rewards for diligence and study. It might make sense to give beginners two choices. The no-code license would have *limited* VHF (or UHF) frequencies and voice and data privileges. The other beginner's ticket would have all the current Novice HF bands, and the new class license privileges. By passing a Morse code test, the no-code beginner would be able to upgrade to HF privileges.

I'm certainly not proposing that we eliminate code from the Amateur Radio service entirely. There's no argument that code has been, and will continue to be, a most important mode of communication in Amateur Radio. But is there a continuing need in Amateur Radio for the hurdle of learning the code at the beginner's level? Several years ago, industry pundit Wayne Green petitioned the FCC to make code exams mandatory at license renewal time. The argument was that you've got to learn the code to get a license, so continuing to maintain proficiency is also important. The docket was rejected, but I'd bet you'd find many pro-code adherents scrambling to brush up on long-forgotten CW skills when it was time for them to renew.

It will be interesting to see what happens with the no-code situation over the next few years. I'm sure there will be ample give and take. Maia's proposal deserves study and thought. The emotional argument that "I had to do it — so do they" doesn't hold water with me.

What do you, the *Ham Radio Magazine* readers, think? Are you pro no-code or con? Send me a QSL card with your vote. We'll give you the results in a couple of months.

Craig Clark, N1ACH

# KENWOOD

...pacesetter in Amateur Radio

3 Choices  
70 W/45 W/25 W

## Three Choices for 2m!

### TM-2570A/2550A/2530A

#### Feature-packed 2m FM transceivers

The all-new "25-Series" gives you three RF power choices for 2m FM operation: 70 W, 45 W, and 25 W. Here's what you get:

- Telephone number memory and autodialer (up to 15 seven-digit phone numbers). **A Kenwood exclusive!**
- High performance GaAs FET front end receiver
- 23 channel memory stores offset, frequency, and subtone. Two pairs may be used for odd split operation
- 16-key DTMF pad with audible monitor
- Extended frequency coverage for MARS and CAP (142-149 MHz; 141-151 MHz modifiable)
- Center-stop tuning—a **Kenwood exclusive!**



- New 5-way adjustable mounting system
- Automatic repeater offset selection—**another Kenwood exclusive!**
- Direct keyboard frequency entry
- Front panel programmable 38-tone CTCSS encoder **includes** 97.4 Hz (optional)

- Big multi-color LCD and back-lit controls for excellent visibility

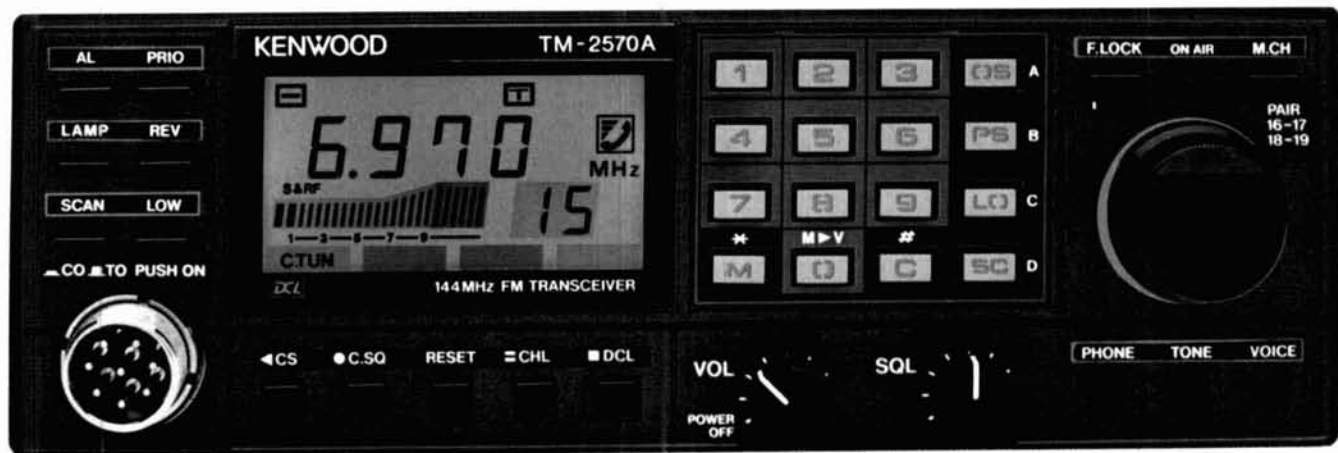
- The TM-3530A is a 25 watt version covering 220-225 MHz. The first full featured 220 MHz rig!



#### Introducing... Digital Channel Link

Compatible with Kenwood's DCS (Digital Code Squelch), the DCL system enables your rig to **automatically** QSY to an open channel. Now you can automatically switch over to a simplex channel after repeater contact! Here's how it works:

The DCL system searches for an open channel, remembers it, returns to the original frequency and transmits control information to another DCL-equipped station that switches **both** radios to the open channel. Micro-processor control assures fast and reliable operation. The whole process happens in an instant!



#### Optional Accessories

- TU-7 38-tone CTCSS encoder
- MU-1 DCL modem unit
- VS-1 voice synthesizer
- PG-2N extra DC cable
- PG-3B DC line noise filter
- MB-10 extra mobile bracket
- CD-10 call sign display
- PS-430 DC power supply for TM-2550A/2530A/3530A

- PS-50 DC power supply for TM-2570A
- MC-60A/MC-80/MC-85 desk mics.
- MC-48B extra DTMF mic. with UP/DWN switch
- MC-43S UP/DWN mic.
- MC-55 (8-pin) mobile mic. with time-out timer
- SP-40 compact mobile speaker
- SP-50B mobile speaker
- SW-200A/SW-200B SWR/power meters
- SW-100A/SW-100B compact SWR/power meters
- SWT-1 2m antenna tuner

Actual size front panel

## KENWOOD

KENWOOD U.S.A. CORPORATION  
2201 E. Dominguez St., Long Beach, CA 90810  
P.O. Box 22745, Long Beach, CA 90801-5745

Complete service manuals are available for all Kenwood transceivers and most accessories. Specifications and prices are subject to change without notice or obligation. Specifications guaranteed on Amateur bands only.



## COMMENTS

### What's in the future for ham radio?

Dear HR

It's not that I'm the kind of fellow who's quick to say "I told you so"; I waited three whole hours!

Of course the ham bands are under siege. It has been obvious to me and to many other concerned hams that Uncle Sam and the communications industry have their eyes on the ham bands, and that they have every intention of obliterating ham radio. Let's face it, we have (as hams) outlived our usefulness.

See your own words referring to ham radio as "our hobby." See the number of publications promoting contests. See the total devastation of ham radio activities during contest periods (contesting is not a proper ham radio activity). See the "appliance operator" nature of the ads in your own magazine (Radio Shack's CB Extension Speaker). See the Dick Bash travesty. See ARRL's VOLMON substitute for FCC policing of the ham bands. See the volunteer examination ripoff.

Listen to the average, trivial "QSOs" and inane "QTCs" that pollute the bands in between contests.

About all hams do these days is provide emergency communications a few times a year, and much of that is so poorly handled.

So, why should "our hobby" fare

any better than others' — like fishing, philately, etc.? We are occupying a lot of valuable space in the RF spectrum, but we surely don't deserve it.

See? I told you so.

**A.J. (Buddy) Massa, W5VSR,  
New Orleans, Louisiana 70174.**

*What do you think readers? Is Amateur Radio a hobby or a service? What's your opinion? Ed.*

### A candid opinion

Dear HR

I often wish "letters to the editor" columns in magazines would find something more interesting to print than praise from readers/subscribers. Unfortunately, *HR* is in this category as well.

I am not afraid to be told that my opinion is in the minority, but I will frankly express my opinion that the magazine which once included words to the effect that it was devoted to communications technology has now strayed considerably from that aim.

I just received the annual receiver issue which usually has been, for me, the most interesting one of the year. I think the November issue, in line with an apparent goal to print articles which can describe circuits that can be built simply or inexpensively, is the dullest I have yet seen.

Again, despite a possible majority of PRESENT subscriber interest in the new orientation, I think it's an almost CQ/73 clone now.

Considering the receiver issue, a Dr. Ulrich Rohde would seemingly not be at home with the new orientation.

It is quite correct that the cover no longer emphasizes "communications technology."

**Simon L. Scheiner,  
Cherry Hill, New Jersey 08034**

### On the other hand . . . . .

Dear HR

I would like to add some comments about your new format.

I have worked in electronics for

more than 22 years, 8 years in supervision, starting out in communications with a FCC license. I have always found your magazine interesting and am interested in projects. However, I find that for the beginner, like some youngster that has a Novice license or whomever, that some articles are very complex needing a knowledge of higher math. I'd like to see some articles on such math as that used in the magazine. I'd like to see articles that deal with projects for the ham station, articles on procedures and operation. In some ways ham radio has left our newer operatives behind. How about a series of articles on the step-by-step construction of a transceiver, including the math needed to design it? That is what ham radio was all about years ago. Some persons would like to experiment, but there is a limit on what they can afford to spend. How about some articles that deal with tuning transmitters to FCC specs, etc. — areas where there is little published information for the new operator.

Thank you for letting me express my views.

**William C. Pollard,  
Georgetown, Texas 78628**

### And . . . . .

Dear HR

I surely did enjoy the November 1988 *Ham Radio* especially "Simple Receivers," by Bill Parrott.

I like the direction you are going by putting several projects and circuits in the magazine.

Keep up the good work, but be careful, you may inject some technology back into amateur radio. Hi.

**Fenton Wood, KB5VQ, Malakoff,  
Texas 75148-9613**

### Memories of the China Clipper

Dear HR

Bill Orr's article, "Ham Radio Techniques," in the November 1988 issue brought back some memories. I lived

*(continued on page 109)*



# KENWOOD

...pacesetter in Amateur Radio

TH-55AT  
1200 MHz  
Here Now!

## Compact Breakthrough!



### TH-25AT/45AT

#### New Pocket Portable Transceivers

The all-new TH-25 Series of pocket transceivers is here! Wide-band frequency coverage, LCD display, 5 watt option, plus...

- Frequency coverage: **TH-25AT:** 141-163 MHz (Rx); 144-148 MHz (Tx). (Modifiable for MARS/CAP. Permits required.)
- **TH-45AT:** 438-450 MHz.
- Automatic Power Control (APC) circuit for reliable RF output and final protection.
- 14 memories; two for **any** "odd split" (5 kHz steps).
- Automatic offset selection (TH-25AT).
- 5 Watts from 12 VDC or PB-8 battery pack.
- Large multi-function LCD display.
- Rotary dial selects memory, frequency, CTCSS and scan direction.
- T-ALERT for quiet monitoring. Tone Alert beeps when squelch is opened.
- Band scan and memory scan.
- Automatic "power off" circuit.
- Water resistant.
- CTCSS encoder / decoder optional (TSU-6).
- **Supplied accessories:** StubbyDuk, PB-6 battery pack for 2.5 watts output, wall charger, belt hook, wrist strap, water resistant dust caps.



#### Optional accessories:

- PB-5 7.2 V, 200 mAh NiCd pack for 2.5 W output
- PB-6 7.2 V, 600 mAh NiCd pack
- PB-7 7.2 V, 1100 mAh NiCd pack
- PB-8 12 V, 600 mAh NiCd for 5 W output
- PB-9 7.2 V, 600 mAh NiCd with built-in charger
- BC-10 Compact charger
- BC-11 Rapid charger
- BT-6 AAA battery case
- DC-1/PG-2V DC adapter
- HMC-2 Headset with VOX and PTT
- SC-14, 15, 16 Soft cases
- SMC-30/31 Speaker mics
- TSU-6 CTCSS decode unit
- WR-1 Water resistant bag

## KENWOOD

KENWOOD U.S.A. CORPORATION  
2201E, Dominguez St., Long Beach, CA 90810  
P.O. Box 22745, Long Beach, CA 90801-5745

*Complete service manuals are available for all Kenwood transceivers and most accessories. Specifications, features and prices are subject to change without notice or obligation.*

---

# THE HEATHKIT SENECA AS A 2-METER FM AMPLIFIER

## Increase your handheld's output power to 70 watts

**T**here are two motives for using old "boat anchors" in modern-day ham radio: nostalgia and low cost. In many applications, the performance of this gear is so inferior to state-of-the-art equipment that its use is undesirable. But now and then you find a use which is both practical and consistent with realistic objectives.

Such was the case when I finally succumbed to the 2-meter bug. My change of heart was prompted by the decline in sunspots and the corresponding difficulty of maintaining communications with the local gang on the DC bands. I found a Heathkit Seneca for \$15 at a hamfest and bought it with the idea of getting on 2-meter CW using a GLB converter for receiving.

The 6 and 2-meter Seneca (of early 1960s vintage) has a built-in VFO, which is too unstable for CW, and features controlled-carrier AM, which has no present-day use. However, the rig is attractive in appearance and ruggedly built. With crystal control it yielded a good note and some 70 watts of RF power on 144-MHz CW. The audio and VFO tubes were consigned to the junkbox.

One thing led to another, and I acquired a handheld FM transceiver. This expanded the workable population through repeaters. But the simplex paths, which were easy with the Seneca on CW, were a flop with the handheld — even with a directional antenna. I obviously needed more power. At this point, I devised a way to

marry the two gadgets and the Seneca had its first introduction to FM.

The beauty of narrowband FM (in terms of the amplifier's response) is that nothing is happening. There's no change in total input or output power; linearity is of no consequence. Thus, an old-fashioned class-C amplifier works well. The problems in mating the FM transceiver and amplifier are reduced to those of providing output/input compatibility and send/receive switching.

These problems were resolved, and the result was 70 watts of RF on FM and plenty of simplex range. This output, which was achieved with less than 1 watt from the handheld, represented a much larger power gain than that of the typical solid-state "brick" amplifier.

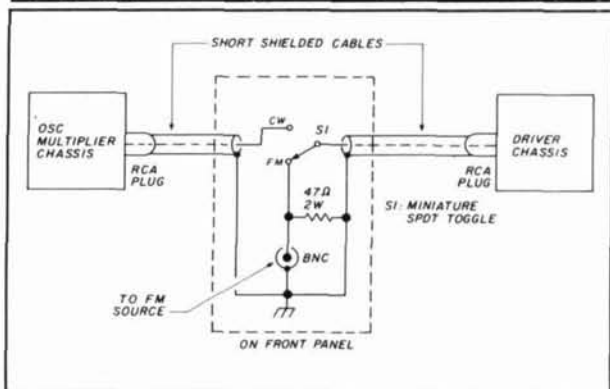
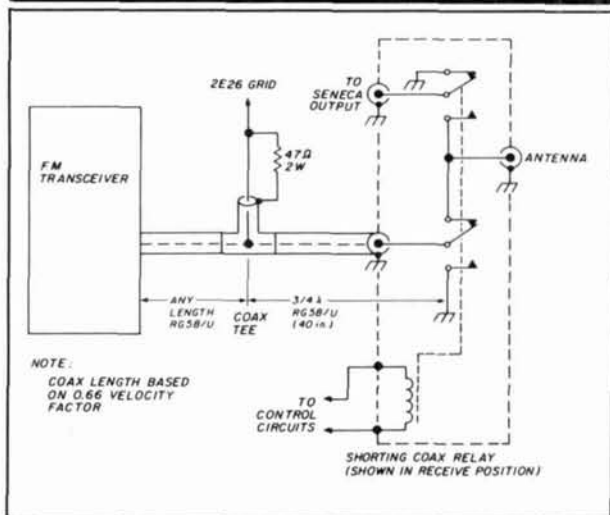
### Drive-point choice

The Seneca uses a pair of 6146s in the output stage, with a 2E26 driver and a 6AN8 crystal oscillator/multiplier tube. The 6146 isn't designed for VHF use; it's hard to drive and somewhat tricky to neutralize and adjust. On the other hand, the 2E26 (which normally acts as a doubler from 72 MHz) drives easily and is well behaved. I decided to insert the FM transceiver output at the 2E26 grid.

This is a convenient drive point because the 2E26 grid tank is also the plate tank of the multiplier section of the 6AN8. The 6AN8 is located in the oscillator/multiplier subchassis and output is fed to the driver/final compartment through a short length of coax and RCA phono plugs. Interruption of this path provides direct access to the 2E26 grid with no tuned circuit present.

The voltage developed by 1 watt into 50 ohms is more than sufficient to drive the 2E26 as a straight-through stage at 144 MHz. The use of a resistively terminated drive avoids a tuned circuit and sidesteps parasitic oscillation at the common input and output frequency. A 47-ohm, 2-watt resistor does the job. In my setup (fig. 1), an SPDT toggle switch permits switching between FM

By Clifford J. Bader, W3NNL, 1209 Gateway Lane, West Chester, Pennsylvania 19380

**FIGURE 1****FM drive insertion method.****FIGURE 2****Antenna switching.**

and crystal-controlled CW. Those interested in FM only can dispense with this frill.

## Antenna switching

The least obvious problem, as usual, turned out to be the most formidable. T/R switching involves getting the received signal back to the handheld, while inserting the amplifier during transmit. A DPDT coax relay is an obvious solution, but the only one available was a 24-volt DC, single-pole shunting type. I pressed it into service after adding an isolating section of transmission line. The combination does the switching with an insignificant loss of received signal.

## Switching sequence

The system (fig. 2) works as follows: The transceiver input/output line runs to a T connector on the front panel of the Seneca, where it picks up the 47-ohm load in parallel with the 2E26 grid. From there, an additional

three-quarter electrical wavelength (about 40 inches) of RG-58/U coax runs to the receive side of the relay. In the transmit mode the relay shorts the coax, which then appears as an open circuit at the 47-ohm load because an odd number of quarter wavelengths intervene. (A quarter-wavelength section could be used but would be inconveniently short.) Thus, 47 ohms is presented to the transceiver and no drive power is lost.

In receive mode the 47 ohms represent a spurious load, which causes approximately 3-dB loss of received signal. With anything but already marginal signals, such a loss is negligible. In a desperate situation the T connector can be disconnected from the Seneca for receiving, but I've never found this to be necessary. The same basic approach could be employed with a non-shorting relay by using a half-wave line or multiple thereof.

## Transmitter control

Another aspect of T/R switching is transmitter control. The Seneca uses a 115-volt, externally controllable AC relay to ground the center tap of the high-voltage supply during transmit periods. With voltage (but in the absence of excitation), final current is limited by a 6AQ5 clamp tube, which pulls the screen voltage to a low value.

**PHOTO A**

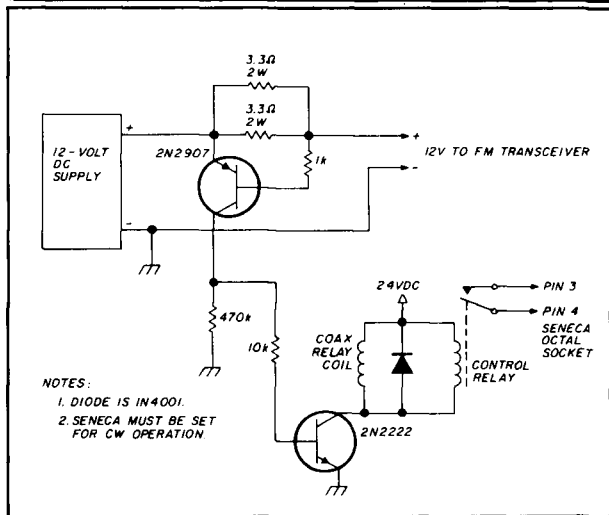
The Heathkit Seneca as a 2-meter FM amplifier for a handheld transceiver.

While it would be possible to keep the transmitter powered up and to merely switch the antenna relay along with the transceiver, there are several advantages to controlling the high voltage. First, the residual current in the final can have noise components, which might couple into the line through stray capacitance and mask weak signals. Second, the residual plate current is high

enough to push the 6146s close to their dissipation limits, so the rig runs much cooler if shut down during receive periods. Finally, the amplifier isn't loaded with the proper impedance during receive and under some conditions it might be subject to parasitic oscillations. These oscillations could damage both the amplifier and the transmitter front end.

There are a number of ways in which the amplifier

**FIGURE 3**



**Transmitter control circuit.**

power switching can be implemented. The optimum solution depends on the contents of your junkbox or the hamfest goodies you can find. I use a 24-volt DC auxiliary relay (with its coil in parallel with that of the antenna relay) to switch the Seneca's internal T/R relay. The latter is accessed through pins 3 and 4 of the octal socket on the rear apron.

Although it's quite feasible to manipulate a toggle switch to trip the relays and simultaneously work the handheld mike switch, snappy QSOs demand control of the relays from the mike. This can be done either by sensing RF from the transceiver or by sensing the increase in DC power consumption during transmit. The second approach is easy to implement if the transceiver is operated from an AC supply. It also avoids playing around with the RF path.

I use a 12-volt supply and an adapter with the handheld to provide the required 8.4 volts. The circuit (fig. 3) uses a 1.65-ohm resistance (two 3.3-ohm, 2-watt resistors in parallel) in series with the positive 12-volt lead to the transceiver. The transmit current of some 600 mA produces sufficient drop to turn on a PNP transistor with its base-emitter junction across the resistors. The PNP, in turn, activates an NPN transistor which energizes the relays. In receive mode, the current is insufficient to overcome the PNP junction drop and the relays drop out.

## Operation

Some comments are necessary regarding the operation of the Seneca. On 2 meters, the 6146s are used above their self-neutralizing frequency, and the neutralizing wires are switched to augment rather than cancel the grid-plate capacitance. I found that the correct neutralization (achieved by bending the wires closer to or farther from the tube plates) held only for a limited range of final-grid and plate-tank tuning, and that tuning up at the opposite end of the band was an invitation to instability. The latter is evidenced by the erratic behavior of the final plate current as you tune through the resonant dip.

When the amplifier is tuned and neutralized at 146 MHz, performance is good over most of the band. You can check neutralization by loading the amplifier lightly, and adjusting the uncrossed set of wires symmetrically for a smooth dip as the final tank is tuned through resonance. **Caution:** There are lethal voltages present! Turn off the rig between adjustments and use an insulated tool to bend the wires.

Now load the rig to the normal plate current in the CW mode (I use 200 mA). The final grid current runs about 3 mA in my setup and the tubes show no sign of overheating. (Any reddening of the plates is a sign of impending disaster.) The amplifier works well with grid drive down to 1 mA or so, corresponding to only 150 mW from the transceiver.

The Seneca uses a front-panel adjusted hairpin loop for output coupling to the final tank. Loop reactance is canceled by a series "loading" capacitor. Because the inductance of the loop is increased by the inclusion of a 1-turn link to the 6-meter coil, it may be difficult to achieve sufficient loading of some coaxial lines — even at minimum capacitance. I found it helpful to solder a short piece of wire between the ends of the link. Obviously, the short would have to be removed for 6-meter operation.

## Closing remarks

With appropriate modifications these techniques should apply to most of the older VHF rigs, like the Johnson Viking 6N2.

My resurrected Seneca (shown in photo A) has been in daily use for 4 years with excellent performance. The only difficulty has been in training the local gang to wait for the tubes to warm up after calling me on simplex. This minor problem has been more than offset by my being (perhaps) the only person on 2-meter FM with a pair of 6146s!

Article A

HAM RADIO

MAGGIORE ELECTRONIC LAB.

Manufacturers of Quality Communications Equipment

# Hi PRO

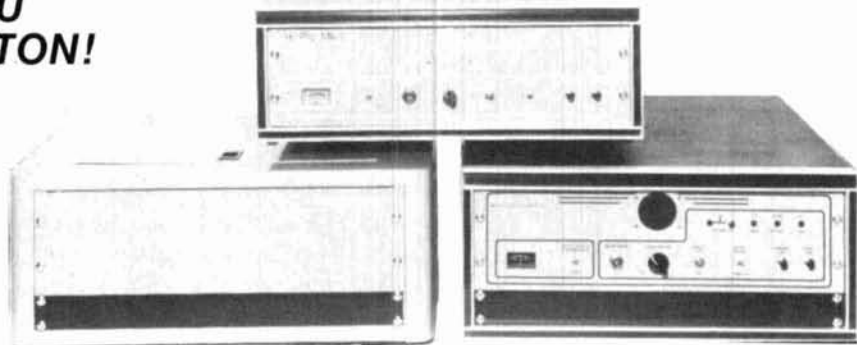
## VHF-UHF REPEATERS

SUPERIOR RECEIVER AND TRANSMITTER SPECIFICALLY DESIGNED FOR REPEATER SERVICE.

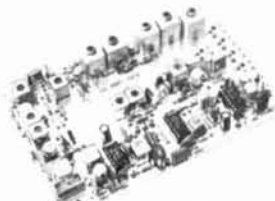
ADJUSTABLE TRANSMITTER POWER, FROM 1 TO 25 WATTS MINIMUM OUTPUT WITH EXTREMELY COOL OPERATION.—  
AUTOMATIC BATTERY BACK UP SYSTEM CAPABILITY WITH BATTERY CHARGING AND REVERSE POLARITY PROTECTION.—  
NOW WITH A FULL COMPLIMENT OF INDICATORS AND STATUS LIGHTS.—100% DUTY CYCLE—ADVANCED REPEATER SQUELCH  
**NO CHOPPING, POPPING, OR ANNOYING REPEATER KEY UPS DURING LIGHTNING STORMS.**—DIE CAST ALUMINUM R.F.  
ENCLOSURES—SMALL SIZE 5¼ x 19 x 13"—HIGH QUALITY LONG LIFE DESIGN.

AMATEUR DISCOUNTS AVAILABLE

**SEE YOU  
AT DAYTON!**



### Hi Pro Receivers



R4V

The **Hi Pro Receiver** is the heart of the Hi Pro Repeater specifically designed to commercial specifications for Repeater service, and boasts high Q multi-tuned circuits in both the rf and oscillator stages to insure low desense intermod and spurious along with choice of varying degrees of if selectivity. Superior squelch action, a necessity for Repeater service, extreme sensitivity, frequency and thermal stability. This receiver not only can be used as initial receiver, but also to replace that troublesome receiver in your present repeater. Easily adapts to any system. The small size, allows for easy mounting, even where space is at a premium. The excellent front end rejection with wide dynamic range guarantees excellent desense, intermod, and spurious response rejection. Advanced squelch circuitry to produce min. squelch chopping, even with weak signals of high deviation, such as weak mobile or rapid fading signals, and also high electrical noise rejection, such as electrical storms, ignition pulses, etc.

#### FEATURES:

- High sensitivity
- Superior rejection
- Double sided mil spec G-10 fiberglass boards
- Extremely stable operation
- Excellent adjacent channel rejection
- Squelch circuit designed for critical repeater use
- Small size
- Choice of passbands
- Wide selection of frequency ranges
- Separate open collector C.O.R. output
- Separate tone control squelch input
- Separate tone control output
- Discriminator meter output
- Signal level meter output
- Multi channel capability Up to 6 channels
- Multiple Voltage Regulation
- Available with precision grade high stability crystal
- Selectable C.O.S. high or low output
- 1 year warranty



R4U

#### SPECIFICATIONS:

##### Sensitivity:

12 dB S/nad (EIA Method) 0.25 uv,  
20 db quieting method 0.30 uv

##### Selectivity:

EIA two signal method  
Standard : 15 kHz -80 dB  
          : 30 kHz -130 dB  
Optional Narrow : 15 kHz -100 dB  
                      : 30 kHz -130 dB

**Spurious Response:** 85 dB

**Intermodulation:** -70 dB

**Modulation Acceptance:** Standard : 60 kHz  
                                          Narrow : 50 kHz

**Squelch Sensitivity:** 0.10 to 0.20 uv

**Frequency Response:** -2 to -3 dB of 6 dB/Octave  
de-emphasis from 300-3000 Hz 1000 Hz reference

**Audio Output:** (to 8 ohm speaker) 2.0 watts max  
                                          5% distortion at 1.5 watts max

**Rf input impedance:** 50 ohms

##### Frequency Range:

V.H.F. 130-150 MHz 144-175 MHz 220-250 MHz  
U.H.F. 406-450 MHz 450-490 MHz

**Operating Voltage:** -11 to +14.5 VDC  
                                          13.8 VDC nominal

**Current:** 90 mA nominal squelched

**Size:** 3" W x 6" H L x 1" H

**Duty Cycle:** 100% at 60 C

**Operating Temp. Range:** -30 C to +60 C

Meets or Exceeds All Published Specifications.



ASK ABOUT OUR COMPUTER CONTROL SYSTEM, AND MICROCONTROL AUTO PATCH, AND REPEATER KITS.

#### Maggiore Electronic Laboratory

600 WESTTOWN RD., WEST CHESTER, PA 19382

PHONE: 215-436-6051 TELEX: 499-0741-MELCO FAX: 215-436-6268

WRITE OR CALL FOR OUR COMPLETE CATALOG

## COMPUTERIZE YOUR SHACK

YAESU 747, 757GX, 757GXII, 767, 9600.  
KENWOOD TS 140, 440, 940, 680, R5000.  
ICOM R71A, R7000, 735, 751A, 761, 781, AND ALL VHF, UHF, CI-V.  
DRIVERS FOR RADIOS ARE MODULAR.  
JRC NRD 525.

COMPLETE PROGRAM ENVIRONMENT.  
MENU DRIVEN AND DESIGNED FOR EASE OF USE.  
SCAN FUNCTION ADDED TO RADIOS THAT DO NOT SUPPORT IT.  
ERGONOMETRICALLY DESIGNED FOR EASE OF OPERATION.  
MOST FUNCTIONS REQUIRE SINGLE KEYSTROKES.  
PROGRAM COLOR CODED FOR EASE OF USE, ALTHOUGH WILL STILL  
RUN IN A MONOCHROME SYSTEM.

### MENUS FOR THE FOLLOWING:

AMATEUR HF—AMATEUR VHF—AMATEUR UHF  
AM BROADCAST—FM BROADCAST—TELEVISION BROADCAST  
SHORT WAVE BROADCAST  
AVIATION HF(SSB)—AVIATION VHF—AVIATION UHF  
HIGH SEAS MARINE—VHF MARINE  
MISCELLANEOUS HF, VHF, UHF  
MOST POPULAR FREQUENCIES ALREADY STORED  
ADDITIONAL LIBRARIES AVAILABLE  
COMPLETE LOGGING FACILITY  
ALL FREQUENCY FILES MAY BE ADDED TO, EDITED OR DELETED

AVAILABLE FOR IBM PC, XT, AT, 80386 256K RAM  
1 SERIAL PORT AND 1 FLOPPY MINIMUM

PROGRAM WITH INITIAL LIBRARIES 99.95  
RS-232 TO TTL INTERFACE ONLY (NEEDED IF DON'T HAVE MANUFACTURERS INTERFACE) 99.95  
EXTERNAL INTERFACE ALLOWS 4 RADIOS 99.95  
INTERNAL PC INTERFACE W/1 SERIAL & 1 RADIO PORT 129.95  
SPECTRUM ANALYZER MODULE (CALL FOR PRICE)  
COMPLETE SYSTEMS INCL. RADIO, INTERFACE, COMPUTER, AVAILABLE (CALL FOR PRICE)

### DATA COM, INT.

8081 W. 21ST LANE  
HIALEAH, FL 33016  
AREA CODE (305) 822-6028

✓ 125

## THE WEEKENDER



## Solo-16 Acoustic CW speaker

**W**hen operating CW, I find even high-quality headphones become uncomfortable at times. They also accentuate wideband receiver noise — a prime source of operator fatigue. To get a break from this, I decided to make a speaker especially designed for CW reception. I first tried the familiar trick of mounting a small transistor radio speaker on the end of a toilet paper roll. This “resonant tube” approach provided some acoustic selectivity, but I decided to explore the concept a bit further.

### Design

While looking through catalogs, I came upon a Star Micronics ultraminiature 20-mm speaker that specified a free-air resonance ( $F_s$ ) of 700 Hz. I reasoned that coupling this particular driver to a horn-type enclosure with a corresponding resonance ( $F_c$ ) of 700 Hz should result in a very high Q (frequency selective) speaker. After ordering a sample of the Star Micronics driver, I began the search for an inexpensive household item to serve as my horn. One of the first items I tested was a Solo® 16-ounce disposable plastic drinking cup. As luck would have it, this proved to be self-resonant to within 10 Hz of 700 Hz!

### Construction and performance

When my sample arrived from Star Micronics, I carefully cut a hole in the bottom of the Solo cup and mounted the tiny driver in place with a super-glue adhesive. I then wired on a speaker cable and plug, and patched it into my homebrew QRP rig. (See fig. 1.) Listening to a busy 20-meter band, I observed that

**By Rick Littlefield, K1BQT, Box 114, Barrington, New Hampshire 03825**

## Look at our MOBILE MARK™ “ON WINDOW” Line

### VHF (140-175)

- No Hole
- Easy to Mount
- Rugged
- Superior Performance
- Radiator Snaps On and Off
- Competitively Priced



### UHF (420-520)

- 3 db gain
- No Hole
- Easy to Mount
- Rugged
- Superior Performance
- Radiator Snaps On and Off
- Competitively Priced

MODEL OW 3-150  
140-174 MHz  
MODEL OW 3-220  
210-250 MHz

- 3 db gain
- No Hole
- Easy to Mount
- Rugged
- Superior Performance
- Swivel Vertical Adjustment
- Radiator Removal Without Loss of Vertical Adjustment
- Competitively Priced



MOBILE MARK™, INC.  
COMMUNICATIONS ANTENNAS

3900-B River Road  
Schiller Park, IL 60176  
312-671-6690

*brings imagination and innovation to  
antennas ..... and has been  
since 1948 !!*



Cards and plaque courtesy W6TC

# EIMAC's new DX champion! The 3CX800A7.

Varian EIMAC continues to commit its development of reliable tubes for HAM radio.

The new, rugged 3CX800A7 power triode provides 2 kW PEP input for voice service or 1 kW cw rating up to 30 MHz. Two tubes will meet the new, higher power ratings authorized by the FCC.

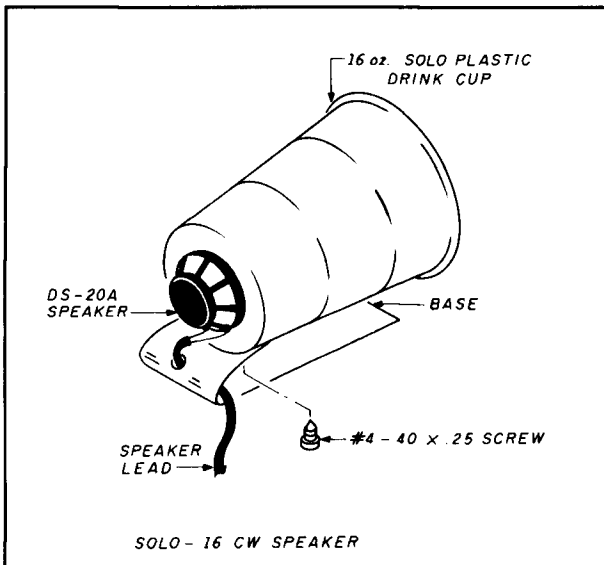
Designed for today's low profile, compact linear amplifiers, the 3CX800A7 powerhouse is only

2½ inches (6.35 cm) high. Cooling requirements are modest and a matching socket, air chimney and anode clamp are available.

A data sheet and more information is available from Varian EIMAC. Or the nearest Electron Device Group sales office. Call or write today.

Varian EIMAC  
301 Industrial Way  
San Carlos, California 94270  
Telephone: 415-592-1221

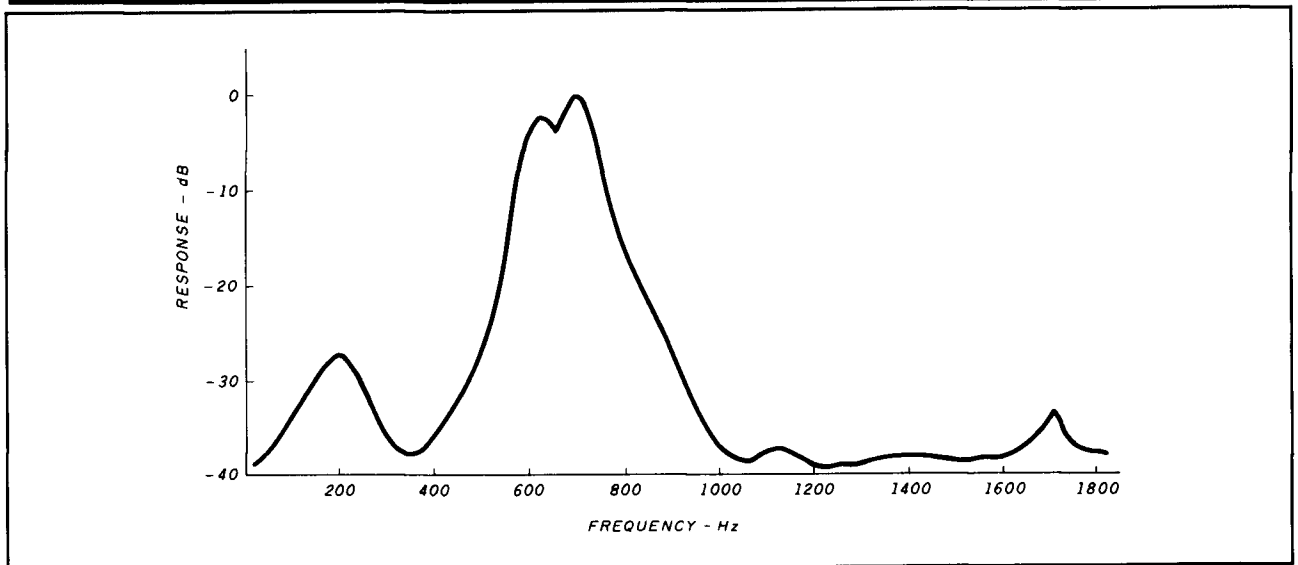


**FIGURE 1**

Construction details of the Solo-16 CW speaker.

There's only one precaution. While most commercial transceivers can deliver up to 5 watts of audio, the Star Micronics driver is only rated for 100-mW continuous tone (200 mW peak). To prevent driver damage, I suggest plugging into the transceiver phone jack (which is usually attenuated), or making an attenuator pad from fixed resistors. Don't worry about 100 mW being loud enough — the resonance and directivity (gain) of the horn will more than make up for any power reduction!

To complete my speaker, I made a triangular base from 1/32-inch aluminum, and attached the cup with no. 4-40 hardware. The acoustic dispersion pattern of the Solo-16 is quite directional, so I suggest adjusting your base to angle the horn directly toward your favorite operating position. This will provide the best audio path, and greatly reduce the annoying effects of phase distortion caused by room echo.

**FIGURE 2**

Audio frequency response of the Solo-16 CW speaker.

wideband noise had become virtually inaudible, while selectivity seemed dramatically improved. Signals were also a lot louder than through the transceiver's built-in 2-inch speaker.

To get a more quantitative measure of what I was hearing, I connected an HP-3311A function generator to the speaker leads and positioned a Scott 451 sound-level meter 1 foot from the horn opening. **Figure 2** illustrates the resulting response curve. The -3 dB passband was approximately 150 Hz wide, with response dropping very sharply on both sides to nearly -40 dB. Most transceivers — especially those without dedicated CW filters — could really benefit from these numbers!

## Conclusion

Over the past two months, the Solo-16 has proven to be a great accessory for CW reception. It takes the pressure off tired ears, puts a "final filter" on audio amplifier noise, and significantly improves the selectivity of most rigs. Best of all, the Solo-16 is simple, inexpensive, and incredibly easy to make. Give it a try!

Both the speaker driver (\$3.50 plus \$2.00 shipping and handling) and the complete kit (\$10.00 plus \$2.00 shipping and handling) are available from the author. *Ed.*

Article B

HAM RADIO



# BEST OF MFJ

## MFJ, Bencher and Curtis team up to bring you America's most popular keyer in a compact package for smooth easy CW



MFJ-422B

**\$129<sup>95</sup>**

The best of all CW worlds - a deluxe MFJ Keyer using a Curtis 8044ABM chip in a compact package that fits right on the Bencher iambic paddle!

This MFJ Keyer is small in size but big in features. You get iambic keying, adjustable weight and tone and front panel volume and speed controls (8-50 WPM), dot-dash memories, speaker, sidetone and push button selection of automatic or semi-automatic/tune modes. It's also totally RF proof and has ultra-reliable solid state outputs that key both tube and solid state rigs. Use 9 V battery or 110 VAC with MFJ-1305, \$9.95.

The keyer mounts on a Bencher paddle to form a small (4 1/8 x 2 5/8 x 5 1/2 inches) attractive combination that is a pleasure to look at and use.

America's favorite paddle, the Bench, has adjustable gold-plated silver contacts, lucite paddles, chrome plated brass, and a heavy steel base with non-skid feet.

You can buy just the keyer assembly, MFJ-422BX, for only \$79.95 to mount on your Bencher paddle.

### Artificial RF Ground

MFJ-931  
**\$79<sup>95</sup>**

You can create an artificial RF ground and eliminate RF "bites", feedback, TVI and RFI when you let the MFJ-931 resonate a random length of wire and turn it into a tuned counterpoise. MFJ-931 also lets you electrically place a far away RF ground directly at your rig - no matter how far away it is - by tuning out the reactance of your ground connection wire. 7 1/2 x 3 1/2 x 7 in.



Now you can quickly optimize your antenna for peak performance with this portable, totally self-contained antenna bridge. No other equipment needed - take it to your antenna site. Determine if your antenna is too long or too short, measure its resonant frequency and antenna resistance to 500 ohms. It's the easiest, most convenient way to determine antenna performance. Built-in resistance bridge, null meter, tunable oscillator-driver (1.8-30 MHz). Use 9 V battery or 110 VAC with AC adapter, \$9.95.

### Antenna Bridge

MFJ-204B  
**\$79<sup>95</sup>**

Now you can quickly optimize your antenna for peak performance with this portable, totally self-contained antenna bridge. No other equipment needed - take it to your antenna site. Determine if your antenna is too long or too short, measure its resonant frequency and antenna resistance to 500 ohms. It's the easiest, most convenient way to determine antenna performance. Built-in resistance bridge, null meter, tunable oscillator-driver (1.8-30 MHz). Use 9 V battery or 110 VAC with AC adapter, \$9.95.



### Super Active Antenna

"World Radio TV Handbook" says MFJ-1024 is "a first rate easy-to-operate active antenna ... quiet ... excellent dynamic range ... good gain ... very low noise factor ... broad frequency coverage ... excellent choice."

Mount it outdoors away from electrical noise for maximum signal, minimum noise. MFJ-1024 covers 50 KHz to 30 MHz.

Receives strong, clear signals from all over the world. 20 dB attenuator, gain control. ON LED Switch two receivers and aux. or active antenna. 6x23x5 in. Remote unit has 54 inch whip, 50 ft. coax and connector. 3x2x4 in. 12 VDC or 110 VAC with

MFJ-1024 **\$129<sup>95</sup>** MFJ-1312, \$9.95.

• One year unconditional guarantee • 30 day money back guarantee (less s/h) on orders from MFJ • Add \$5.00 each s/h • Free catalog

### MFJ Coax Antenna Switches



**\$34<sup>95</sup>** MFJ-1701



**\$21<sup>95</sup>** MFJ-1702



**\$59<sup>95</sup>** MFJ-1704

Select any of several antennas from your operating desk with these MFJ Coax Switches. They feature mounting holes and automatic grounding of unused terminals. They come with MFJ's one year unconditional guarantee.

MFJ-1701, **\$34.95**. Six position antenna switch. SO-239 connectors. 50-75 ohm loads. 2 KW PEP, 1 KW CW. Black aluminum 10x3x1 1/2 inch cabinet. MFJ-1702, **\$21.95**. 2 positions. Cavity construction. 2.5 KW PEP, 1 KW CW. Insertion loss below .2 dB. 50 dB isolation at 450 MHz. 50 ohm. 3x2x2 in. MFJ-1704, **\$59.95**. 4 position Cavity Switch with Lightning/Surge protection device. Center Ground position. 2.5 KW PEP, 1 KW CW. Extremely low SWR. Isolation better than 50 dB 500 MHz. Negligible loss. 50 ohm. 6 1/4 x 4 1/4 x 1 1/4 in.

### "Dry" Dummy Loads for HF/VHF/UHF



**\$28<sup>95</sup>** MFJ-260



**\$69<sup>95</sup>** MFJ-262



**\$109<sup>95</sup>** MFJ-264

MFJ has a full line of dummy loads to suit your needs. Use a dummy load for tuning to reduce needless (and illegal) QRM and save your finals. MFJ-260, **\$28.95**. Air cooled, non-inductive 50 ohm resistor. SO-239 connector. Handles 300 watts. Run full load for 30 seconds, derating curve to 5 minutes. SWR less than 1.3:1 to 30 MHz, 1.5:1 30-60 MHz. 2 1/2 x 2 1/2 x 7 in. MFJ-262, **\$69.95**. Handles 1 KW. SWR less than 1.5:1 to 30 MHz. 3x3x13 in. MFJ-264, **\$109.95**. Versatile UHF/VHF/HF 1.5 KW Dry Dummy Load. An MFJ first. Gives you low SWR to 650 MHz, usable to 750 MHz. You can run 100 watts for 10 minutes, 1500 watts for 10 seconds. SWR is 1.1:1 to 30 MHz, below 1.3:1 to 650 MHz. 3x3x7 inches. SO-239 connector.

### MFJ-1286 Gray Line DX Advantage

**\$29<sup>95</sup>** MFJ-1286



Snag rare DX for only \$29.95! The MFJ-1286 is a computerized DXing tool that predicts DX propagation. Even the casual DXer can work rare DX by knowing when conditions are best for DX. The Gray Line is the day/night divider line where the most amazing DX happens every day. Now you'll know exactly when to take advantage of it.

Gives detailed world map. Shows Gray Line for any date/time, UTC in 24 hour chosen OTHs, time zones and more. IBM compatible. Any graphics.

### MFJ's Speaker/Mics

For Kenwood, Icom, Yaesu, Santic

MFJ-284 or MFJ-286 **\$24<sup>95</sup>**

MFJ's compact Speaker/Mics let you carry your HT on your belt and never have to remove it to monitor calls or talk.

You get a wide range speaker and first-rate electret mic element for superb audio on both transmit and receive.

Earphone jack, handy lapel/pocket clip, PTT, lightweight retractable cord. Gray. One year unconditional guarantee.

MFJ-284 fits Icom, Yaesu, Santic. MFJ-286 fits Kenwood.



### 12/24 Hour LCD Clocks



**\$19<sup>95</sup>** MFJ-1088 **\$9<sup>95</sup>** MFJ-1078

Huge 5/8 inch bold LCD digits let you see the correct time from anywhere in your shack. Choose from the dual clock that has separate UTC/local time display or the single 24 hour ham clock.

Mounted in a brushed aluminum frame. Easy to set. The world's most popular ham clocks for accurate logs. MFJ-1088 4 1/2 x 1 x 2; MFJ-1078 2 1/4 x 1 x 2.

Lighted Cross/Needle SWR/Wattmeter **\$69<sup>95</sup>**



MFJ Cross-Needle SWR/Wattmeter shows you SWR, forward and reflected power in 3 ranges (20/200/2000 watts forward/5/50/500 reflected). Push button range selection. 1.8-30 MHz.

Mechanical zero adjust for movement. SO-239 connectors. Light requires 12 VDC or 110 VAC with MFJ-1312, \$9.95.

### Deluxe Code Practice

New Oscillator **\$24<sup>95</sup>**



MFJ-557 Deluxe Code Practice Oscillator has a Morse key and oscillator unit mounted together on a heavy steel base so it stays put on your table. Also portable because it runs on a 9 volt battery (not included) or an AC adapter (\$9.95) that plugs into the side.

Earphone jack for private practice. Tone and volume controls for a wide range of sound. Speaker. The key has adjustable contacts and can be hooked to your transmitter. Sturdy. 8 1/2 x 2 1/4 x 3 3/4 in. One year unconditional guarantee.

### MFJ AC Voltage Monitor

**\$19<sup>95</sup>** MFJ-850 **New**

Prevent damage to rig, computer or other gear. Monitor AC line voltage for potentially damaging surge/brown out conditions on 2-color expanded 95-135 volt scale. Plugs into any AC outlet. 2% accuracy. 2 1/4 x 2 1/4 x 1 1/2 inches.



### MFJ ENTERPRISES, INC.

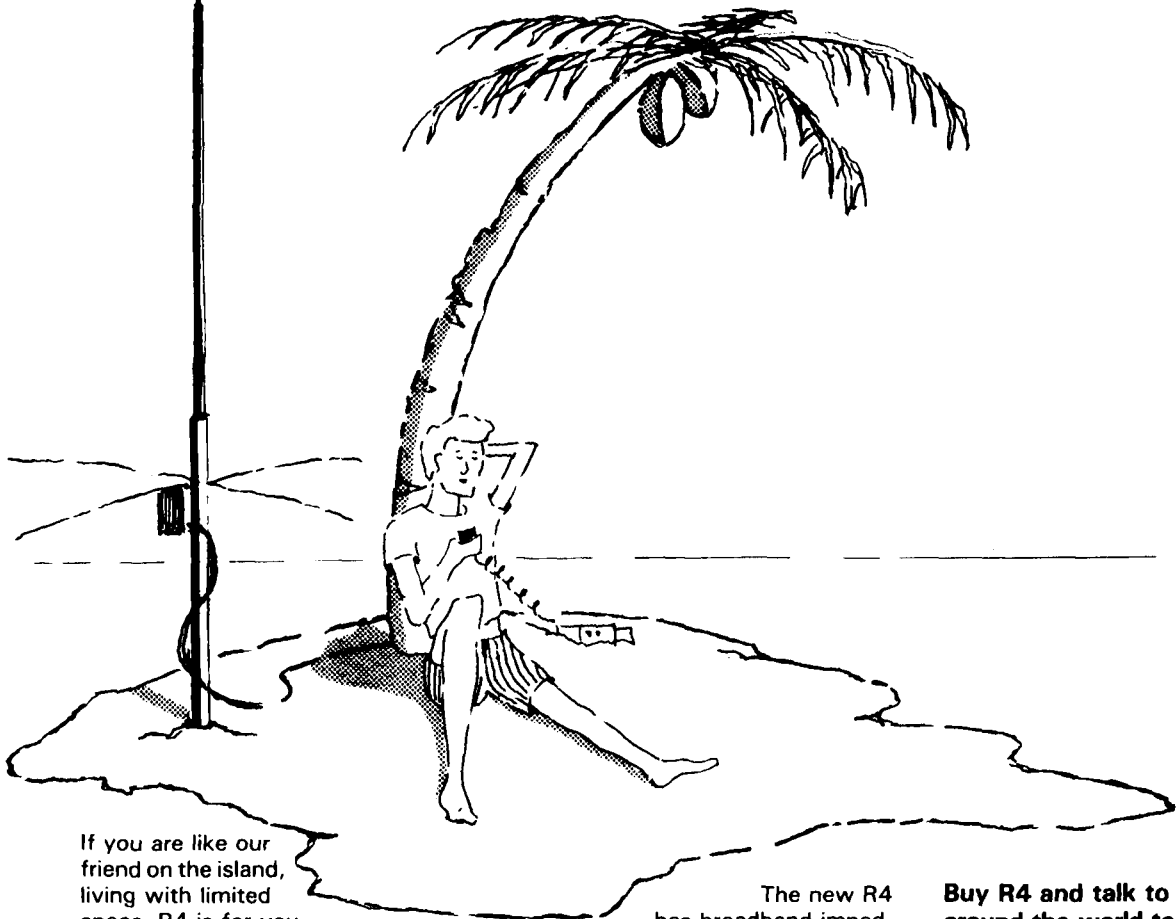
P.O. Box 494, Mississippi State, MS 39762  
(601) 323-5869; TELEX: 534590 MFJSTKV  
Nearest Dealer or Orders only: 800-647-1800

# MFJ

MFJ ... making quality affordable

# R4

## Maximum Performance, Minimum Space



If you are like our friend on the island, living with limited space, R4 is for you.

That's right, you can forget about towers and rotators. Put away your spade, wire and insulators because you won't need a ground radial system. Cushcraft engineers have performed a miracle by developing a new half wave vertical for 10, 12, 15 and 20 meters that provides great performance using a simple counterpoise ground of four 48" stainless steel rods.

The new R4 has broadband impedance matching giving full coverage and automatic frequency selection of all four bands. All of this with an 18' high, 8 lb. vertical that will handle 1800 watts of power!

With R4 you get quick assembly, easy installation and top gun performance. Whatever your space, large or small, R4 will make ham radio more fun.

**Buy R4 and talk to your friends around the world today!**



Available through dealers worldwide  
48 Perimeter Road, Manchester,  
NH 03108 USA  
603-627-7877 Telex 4949472  
Fax 603-627-1764

# HAM RADIO TECHNIQUES

Bill Orr, W6SAI



## The "Invention of Radio"

The world changed for better or worse in 1865 when James Clerk Maxwell introduced his electromagnetic wave theory. This revolutionary concept fell on stony ground until 1875 when Professor Elihu Thompson demonstrated the existence of the waves in an induction coil experiment at Central High School in Philadelphia. The experiment wasn't widely publicized and Thompson doesn't seem to have carried out any further investigations. This field of discovery appears to have lain dormant until 1888 when Heinrich Hertz described his classic experiments with "aether" waves.

But it's not generally known that on May 23, 1885 Thomas A. Edison applied for a patent on "A New and Useful Improvement in Means for Transmitting Signals Electrically." Patent number 465,971 was issued to Edison on December 29, 1891.

What was the meaning of this patent? Did Edison actually "invent" radio? Tom Clarkson, ZL2AZ, recently brought to my attention a story which created a ripple of excitement at the International Telecommunications

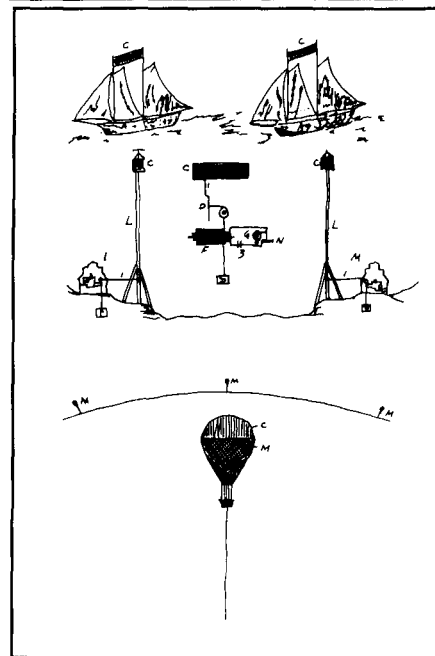
Union Conference in Atlantic City, New Jersey in 1947.

Tom, who attended the conference, was kind enough to send me a reprint of the conference bulletin, *The Morning Electron*, dated September 12, 1947; it told the story of the "invention" of wireless.

According to Tom, the introductory remarks of the U.S. Assistant Secretary of State to those assembled referred to the magnitude of the task confronting the members, because of the great advances in radio communication since Marconi's invention. The next day one of the delegates of the U.S.S.R. took the floor to "correct an error." The real inventor of radio communication wasn't Marconi, he stated, but Alexander Popoff. He gave a vigorous address on the subject. A few days later an Italian delegate defended Marconi who, he said, did a lot more than just demonstrate primitive receiving and transmitting equipment.

The matter rested until a member of the U.S. Delegation produced a patent filed by Edison. It was dated ten years earlier than the experiments of either Marconi or Popoff, and two years before Hertz's work. The patent described a two-way radio communi-

FIGURE 1



Thomas Edison's "wireless" communication system (reproduced from original patent).

cation system. A transcript of the patent was included in the *The Morning Electron*. After that, the conference dropped the subject and went on to more important matters.

## Edison's communication system

ZL2AZ mailed me a copy of the 1947 conference newsletter, now part the archives of the Antique Wireless Association. The Edison patent covered a signaling system that used two transceiver-like devices, complete with vertical antennas and ground systems (fig. 1'). Each transceiver had a high-frequency transformer with the secondary connected to the antenna and ground, an interrupter in the primary circuit, a source of power, and a code key. The motor-driven interrupter functioned as a commutator, generating a high-frequency wave. This device is similar to the early rotary gap-type transmitters used from 1897 to about 1910 and popularized by Poulsen of Denmark.

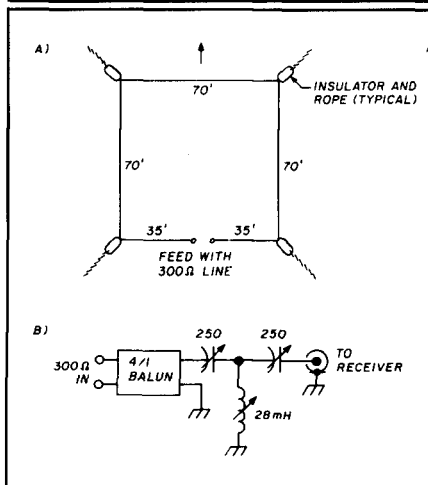
For reception, Edison placed a "polarized telephone receiver" in series with the secondary coil of the apparatus. Little is known about this device; however, it's thought to have been an ordinary telephone-style earphone in series with a crude oxide rectifier. The patent is vague on this point.

The patent shows that Edison understood the necessity of elevating his antennas to avoid the curvature of the earth. He also mentions signal absorption due to intervening objects.

The newsletter concluded that Edison had a clear concept of a workable radio system, and that he had foreseen many of the ideas that have taken years to perfect.

I find it interesting to speculate on this unusual patent. Why did it lie in the Patent Office for over six years before it was issued? Why didn't Edison build a working model of his transceiver and try out his novel idea? It's conceivable that Edison could have had a practical wireless system in 1885 — two years before Hertz's experiments. Because Edison chose not to continue with his brilliant idea, the honor of conducting the first radio communication experiments passed to Marconi, who started his transmissions in 1894.

FIGURE 2



Receiving loop of KD0SO for 160 meters. Height of loop above ground is 10 feet. Illustration (A) is view from above. Illustration (B) shows 4:1 balun and antenna tuner.

## The low-level loop for reception

One of the problems in working DX on 160 meters is the high level of background noise. Many DXers have found they can't use their transmitting antenna for reception — the noise level is overpowering. Paul McClure, KD0SO, met this problem head on and evolved a horizontal receiving loop (fig. 2) that provides good signal-to-noise ratio. The loop's signal pickup isn't as good as that of a larger antenna, but noise drops off sharply. By adjusting audio gain of the receiver, you can bring the resulting signal up to the original level. Paul says that, out of the noise, he can pull weak signals that didn't seem to exist under normal circumstances. He says the antenna is comparable to a good Beverage wire. The loop, however, takes up less space and there are no terminating resistors to replace after a thunderstorm!

The above-ground height of the loop is about 10 feet. It's fed with a random length of 300-ohm ribbon line. Paul twists the line to balance it to ground. He has a twist about every 8 inches or so in a line nearly 100 feet long. The line is fed through a 4:1 balun and a simple antenna tuner to

provide a 50-ohm termination for the receiver.

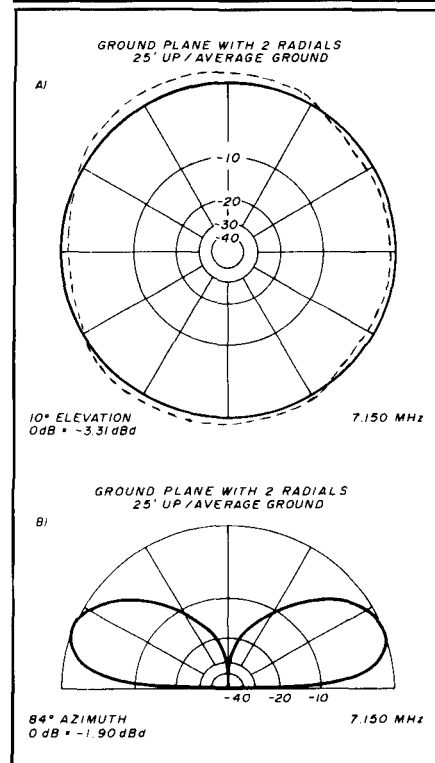
## Two radials good, four radials better?

I seem to have stirred up some dust with my remarks about two versus four radials for a ground-plane antenna (*Ham Radio*, October 1988). A letter from Don Norman, AF8B, says that experiments he ran in 1982 on an elevated 147-MHz ground plane showed two radials were a considerable improvement over one, three radials showed no improvement over two, and four showed a slight improvement over three. He said his tests also showed conclusively that the radials served to decouple the feedline from the antenna.

Don's opinion is that HF multiband verticals planted in back yards around the world would probably perform much better if they were placed on rooftops and equipped with two radials for each band.

Bill Bringler, K5CSJ, ran the

FIGURE 3



Plane and elevation views of radiation pattern of 2-radial ground plane mounted 25 feet above "average" ground.



## America's Communications Leader Presents Its All-New 10-Meter SSB/CW Mobile Transceiver

Realistic, America's premier brand of scanners, CB radios and satellite TV systems introduces the HTX-100, the perfect first rig for a beginning Ham and a superb 10-meter mobile radio for any amateur. It's compact, yet loaded with "big rig" features.

### Pushbutton Memory Tuning

An easy-to-program memory stores 10 favorite frequencies and



Ultracompact and includes everything you need for underdash installation

mike-mounted pushbuttons permit safe and easy up/down frequency selection while you drive. A front-panel lock control prevents accidental frequency changes. You can fine-tune reception with the  $\pm 1.5$  kHz RIT control. Coverage is 28.0 to 29.6999 MHz, USB or CW. Convenient semi break-in keying and CW sidetone are built in.

### Selectable Power Output

You can select 25-watt or 5-watt QRP power output from the front panel. The HTX-100 has a backlit LCD frequency display with mode and tuning-step indicators. You also get a 5-step LED signal/RF power meter, noise blanker, hefty 3-watt audio output, high-quality built-in

speaker, front-panel headphone jack and a rear-panel jack for adding an external speaker.

### Join the Action on "10"

With improving band conditions and new Novice voice and digital privileges, the 10-meter fun is just beginning. Be a part of it with this affordable, top-quality transceiver! Only \$259.95 and in stock today at our store near you.

Exclusively at

**Radio Shack**  
The Technology Store™

A DIVISION OF TANDY CORPORATION

Price applies at participating Radio Shack stores and dealers

FREE 184-Page Radio Shack Catalog! Write Dept. 380, 300 One Tandy Center, Fort Worth, TX 76102

ground-plane program on his computer using MININEC and compared the field patterns of two and four-element configurations. The simulation was at 7.15 MHz, with the base of the antenna 25 feet above "average" ground (fig. 3). The radials dropped down to 15 feet of elevation at the ends. At a radiation angle of 10 degrees, the pattern of the two-radial design was omnidirectional within a fraction of a decibel. In the vertical plane, the angle above the horizon of the radiation pattern was less than 20 degrees. This corresponded to the pattern of the four-radial design. Bill concluded that there was no significant difference in operation between the two antennas. Bill also compared a ground-mounted vertical against the elevated two-radial design and found it about 1.5 dB worse at an elevation angle of 10 degrees. His conclusion: "A two-radial ground plane, when elevated, works just fine!"

### And how about radial length?

Collin Stiteler, KE6VZ, isn't convinced that ground-plane radials should be 5 percent longer than the radiator, as some conventional wisdom seems to indicate. I checked my references and found that my various antenna books, plus the *ARRL Radio Handbook*, all call for the radial length to be the same as the antenna length. (At least I seem to be consistent!) Different ARRL publications refer to radials 5 percent longer than the antenna and also to radials the same length as the antenna, depending upon the publication. Obviously there's *not* a meeting of the minds on this subject. Offhand, I would think that it doesn't make any difference as far as results are concerned. I cut my radials equal in length to the antenna and let it go at that.

Collin points out that a CB whip antenna mounted over quarter-wave horizontal 10-meter radials and matched with a capacitor across the feedpoint makes an excellent 10-meter installation with a near-perfect match to a 50-ohm coax line. Collin used a 56-

pF capacitor from antenna to radials. Not a bad idea for a "quick and dirty" 10-meter antenna.

### Two new handbooks!

I've just received two new handbooks that I'd like to tell you about. The first one is *W1FB's Antenna Notebook*,\* written by Doug DeMaw and published by the ARRL. This book covers many simple do-it-yourself antennas. There's no high-level math in the book; it's a plain language approach to a subject that's of great interest to newcomers and old-timers alike.

DeMaw discusses many interesting wire antennas like the popular G5RV antenna, multiband dipoles, and trap dipoles. Single wire, loops, and vertical antennas are covered in detail. The scheme of using a tower or mast for a vertical antenna is discussed, along with the tuning and matching procedures required. The efficient W1FB compact 160-meter vertical antenna seems to be the answer for the low-band DXer trying to be loud when confined to a city lot! The 160-meter "snake" antenna (of which I had heard rumors) is shown as well as other low-noise receiving antennas for the top band.

Antenna matching devices and baluns are discussed, as are simple antenna measuring techniques, but the Amateur looking for VHF antenna information will be disappointed. The book is like a low-pass filter — it cuts off at 30 MHz! No matter; there's enough juicy information about 1.8 to 30 MHz to maintain your interest to the last page.

The second book resembles a high-pass filter, as it concentrates on the spectrum above 50 MHz. This is my new book, *All About VHF Amateur Radio*, published by Radio Publications, Inc.\*\* It's written for the beginning Amateur and the newcomer to the VHF bands. However, there's enough good information on VHF

antennas, the cause and cure of VHF RFI and TVI, moonbounce, satellites, and DX propagation to interest even the jaded VHF old-timer. Modesty prevents me from extolling the virtues of the work, but I wanted to bring it to your attention!

The F.C.C. did me in on one matter. Just after the book came off the press, my reference to the 220 and 225-MHz Amateur band was jeopardized because of the attempted usurpation of the low end of the band. I hope, for my sake and for the sake of Amateur Radio, that I won't have to change this reference at the next reprinting!

### A final wrap-up

Thanks to all who have entered my "Dead Band" Quiz. Closing out the earlier quizzes: congratulations to Dan Curtin, KF4AV, who correctly identified the Sherlock Holmes quotation, and to Lewis Finch, W4VRV; Marty Davidoff, K2UBC; Bruce Williams, WA6IVC; Alvin Borne, W6IVO; Dan Curtin, KF4AV; and "Herb", WL7BIL who knew the quotation from "Catcher In The Rye," by J.D. Salinger.

### Occam's Razor, locomotives, and hornets

Early in the 14th century, the English philosopher William of Occam proposed that, of all the possible explanations for certain phenomena, the simplest explanation should be considered first. A fine example of Occam's Razor (cut the problem to the bone) was the Dead Band Quiz about the colliding locomotives and the flying hornet.

The correct answer regarding the distance the hornet flew between the locomotives as they sped towards each other on a collision course is 300 miles. A lot of readers came up with this number.

It's interesting to look over the many replies I received to this little problem. In general, there were four approaches: the intuitive, the graphical, the mathematical, and the scientific. Some readers solved the problem in more than one way.

\*Available from the **HAM RADIO** Bookstore for \$7.95, plus \$3.50 shipping and handling.

\*\*Available from the **HAM RADIO** Bookstore for \$11.95, plus \$3.50 shipping and handling.

The majority of readers chose the mathematical approach, i.e., finding the time to collision by dividing the travel distance by the closing speed ( $60/80 = 0.75$  hours). If the hornet flies at 400 miles per hour for 0.75 hour, he covers 300 miles.

A list of all who solved the "Dead Band" problem is available from *Ham Radio* for an SASE. (The list includes only those whose letters were received in the first 10 days after magazine publication. I'll pick up later entries in my next column.)

I think this magazine is fortunate to have readers of stature and I'm pleased to receive such interesting and informative "feedback." Thank you! I'll continue to toss some little brain teasers at you from time to time. I hope you enjoy them!

### The Dead Band Quiz

Since everyone did so well on the locomotive/hornet quiz, here are two simple problems submitted by column readers. Sharpen your pencils and go to work!

Quiz no. 1 was submitted by Joe Mehaffey, K4IHP. A black box has five terminals. Measured with an ohmmeter, the resistance between any two terminals is 1 ohm. Joe knows the box contains only resistors. What is the circuit inside the box?

Quiz no. 2 was submitted by Joe Caffrey, W3DZH. A ham has a glass jar filled with transistors in his junkbox. He decides to count them and finds

that if he removes them from the jar two at a time, he has one transistor left in the jar when he's finished. Unfortunately he forgets his count, so he dumps the devices all back into the jar. This time he removes them three at a time and winds up with two left over. Distracted by a VHF opening, he again forgets his count, replaces the transistors in the jar, and removes them four at a time to discover at the end he has three left in the jar. This process is repeated three more times. When he removes them five at a time, he finds four left over; when they are taken out six at a time, five are left; and when taken out in groups of seven, six remain.

Having managed to forget the exact count six times now, our hero decides to apply simple mathematics to find the smallest number of transistors that could have been in the jar. What is that number?

Joe says, "My initial solution involved 'cheating' by programming a VIC-20 computer to count upwards from 11 and test each integer until one was found that would satisfy the given conditions. Hours later, the simple and elegant solution struck me as I was driving down the road in my car!"

To save your postage and time, I'll give the answer to these little problems next month. Stay tuned.

### References

1. *The Morning Electron*, Volume One, No. 67, International Telecommunications Union Conference, September 12, 1947, page 7.

Article C

HAM RADIO

## SERVICE MONITOR MEASUREMENTS MODEL FM 110

- Covers all business channels from 30MHz to 512MHz
- Monitor: 2uV, frequency error display, scope deviation display
- Generator: Calibrated output up to 10mV, Sinad display
- Built-in Tone Generator

AMAZINGLY LOW  
PRICE OF ONLY

**\$1685.00**

FOB - BATESBURG, SC



WE ACCEPT VISA, MASTERCARD & AMERICAN EXPRESS  
AIE CORPORATION — MEASUREMENTS DIVISION  
PO BOX 70, BATESBURG, SOUTH CAROLINA 29006 (803)532-9256



173

# 1989 CALLBOOKS



## THE QSL BOOK!

Continuing a 68 year tradition, we bring you three new Callbooks for 1989, bigger and better than ever!

The North American Callbook lists the calls, names, and address information for 495,000 licensed radio amateurs in all countries of North America, from Canada to Panama including Greenland, Bermuda, and the Caribbean islands plus Hawaii and the U.S. possessions.

The International Callbook lists 500,000 licensed radio amateurs in countries outside North America. Its coverage includes South America, Europe, Africa, Asia, and the Pacific area (exclusive of Hawaii and the U.S. possessions).

The 1989 Callbook Supplement is a new idea in Callbook updates, listing the activity in both the North American and International Callbooks. Published June 1, 1989, this combined Supplement will include thousands of new licenses, address changes, and call sign changes for the preceding 6 months.

Every active amateur needs the Callbook! The 1989 Callbooks will be published December 1, 1988. Order early to avoid disappointment (last year's Callbooks sold out). See your dealer now or order directly from the publisher.

<input type="checkbox"/> North American Callbook incl. shipping within USA	\$29.00
incl. shipping to foreign countries	35.00
<input type="checkbox"/> International Callbook incl. shipping within USA	\$32.00
incl. shipping to foreign countries	38.00
<input type="checkbox"/> Callbook Supplement, published June 1st incl. shipping within USA	\$13.00
incl. shipping to foreign countries	14.00

### SPECIAL OFFER

<input type="checkbox"/> Both N.A. & International Callbooks incl. shipping within USA	\$58.00
incl. shipping to foreign countries	68.00

\*\*\*\*\*

Illinois residents please add 6½% tax.  
All payments must be in U.S. funds.

RADIO AMATEUR **callbook** INC.



Dept. F  
925 Sherwood Dr., Box 247  
Lake Bluff, IL 60044, USA

Tel: (312) 234-6600



# HITACHI SCOPES AT DISCOUNT PRICES



**V-212**  
**\$399**  
List \$560  
Save \$161

**20MHz Dual Trace Oscilloscope**  
All Hitachi scopes include probes, schematics and Hitachi's 3 year warranty on parts and labor. Many accessories available for all scopes.



**V-425**  
List \$995 **\$835**

V-223 20MHz D.T., 1mV sens, Delayed Sweep, DC Offset, Vert Mode Trigger  
V-422 40MHz D.T., 1mV sens, DC Offset Vert Mode Trigger, Alt Mag  
V-423 40MHz D.T., 1mV sens, Delayed Sweep, DC Offset, Alt Mag  
V-660 60MHz D.T., 2mV sens, Delayed Sweep, CRT Readout  
V-1065 100MHz D.T., 2mV sens, Delayed Sweep, CRT Readout, Cursor Meas  
V-1100A 100MHz Q.T., 1mV sens, Delayed Sweep, CRT Readout, DVM, Counter  
V-1150 150MHz Q.T., 1mV sens, Delayed Sweep, Cursor Meas, DVM, Counter

- DC to 40MHz
- Dual Channel
- CRT Readout
- Cursor Meas
- DC Offset
- Alt Magnifier
- Compact Size



**V-1060**  
List \$1595 **\$1,285**

	LIST	PRICE	SAVE
V-1060	\$1,595	\$1,285	\$310
V-1065	\$1,195	\$990	\$205
V-1100A	\$2,295	\$1,995	\$300
V-1150	\$3,100	\$2,565	\$535

- DC to 100MHz
- Dual Channel
- Delayed Sweep
- CRT Readout
- Sweep Time
- Autoranging
- Trigger Lock
- 2mV Sensitivity

## ELENCO PRODUCTS AT DISCOUNT PRICES

### 20MHz Dual Trace Oscilloscope



**\$359**  
**MO-1251**

- 6" CRT
- Built in component tester
- TV Sync X-Y Operation

**FREE DMM**  
with purchase of  
MO-1251/1252 Scope

#### SCOPE PROBES

P-1 65MHz, 1x, 10x **\$19.95**  
P-2 100MHz, 1x, 10x **\$23.95**  
Fits all scopes with BNC connector

### 35MHz Dual Trace Good to 50MHz



**\$495**  
**MO-1252**

- High luminance 6" CRT
- 1mV Sensitivity
- 6KV Acceleration Voltage
- 10ns Rise Time
- X-Y Operation • Z Axis
- Delayed Triggering Sweep

Top quality scopes at a very reasonable price. Contains all desired features. Two 1x, 10x probes, diagrams and manual. Two year guarantee.

### Autoranging DMM

**M-5000**

**\$45**

- 9 Functions
- Memory and Data hold
- 1/2% basic acc
- 3 1/2 digit LCD

### True RMS 4 1/2 Digit Multimeter

**M-7000**

**\$135**

- .05% DC Accuracy
- .1% Resistance with Freq. Counter and deluxe case

### Multimeter with Capacitance and Transistor Tester

**\$55 CM-1500**

- Reads Volts, Ohms, Current, Capacitors, Transistors and Diodes with case

### Digital Capacitance Meter

**CM-1550**

**\$58.95**

- 9 Ranges
- .1pf-20,000ufd
- .5% basic accy
- Zero control with case

### Digital LCR Meter

**LC-1801**

**\$125**

- Measures Coils 1uH-200H
- Caps 1pf-200uf
- Res .01-20M

### AC Clamp-On Current Adapter

**ST-265**

**\$22**

- 0-1000A AC
- Works with most DMM

### Bench DMMS



**M-3500**

**\$125**

**M-4500**

**\$175**

- 3 1/2 digit 1% accy
- 4 1/2 digit .05% accy

### SOLDERING STATION TEMPERATURE CONTROLLED

**SL-30**

**\$135**

- Digital display
- Temp range: 300F-900F
- Grounded tip
- Overheat prot

### Solderless Breadboards

- 9430 1,100 pins **\$15**
- 9434 2,170 pins **\$25**
- 9436 2,860 pins **\$35**
- All have color coded posts

9436 SHOWN

### Low Cost Multimeter

**M-1600**

**\$25**

- 3 1/2 digit LCD
- 1% DC Accy
- 10A Scale
- Auto zero /polarity

### Wide Band Signal Generators

**SG-9000 \$129**

- RF Freq 100K-450MHz
- AM Modulation of 1KHz
- Variable RF output

**SG-9500 with Digital Display and 150MHz built-in Freq Ctr \$249**

### 3 1/2 Digit Probe Type DMM

**M-1900**

**\$39**

- Convenient one hand operation with batteries and case
- Measures DCV, ACV, Ohms
- Audible continuity check, Data hold

### Function Generator

**Blox #9600**

**\$28.95**

- Provides sine, tri, squ wave
- From 1Hz to 1MHz
- AM or FM capability

### Decade Blox

9610 or 9620

**\$18.95**

- #9610 Resistor Blox 47 ohm to 1M & 100K pot
- #9620 Capacitor Blox 47pf to 10MFD

### Digital Triple Power Supply

**XP-765**

**\$249**

- 0-20V at 1A
- 0-20V at 1A
- 5V at 5A

Fully Regulated, Short circuit protected with 2 Limit Cont., 3 Separate supplies  
**XP-660 with Analog Meters \$175**

### Quad Power Supply

**XP-580**

**\$59.95**

- 2-20V at 2A
- 12V at 1A
- 5V at 3A
- 5V at 5A

Fully regulated and short circuit protected  
**XP-575 without meters \$39.95**

### 10MHz XT 100% IBM® Compatible

**5 Year Warranty**

**\$595**  
**MODEL PC-1000**



- 5/10MHz Motherboard
  - 8 Expansion Slots
  - Math Compressor Slots
  - 360K Floppy Drive
  - AT Style Keyboard
  - 150W Power Supply
  - 256K RAM Expandable to 640K
  - Monochrome Monitor
  - Monographic Video Card
  - Parallel Printer Port
- FREE spreadsheet and word processor**  
3.XXMS DOS and GW Basic add \$75

### Four-Function Frequency Counters

**F-1000 1.2GH**

**\$259**

**F-100 120MH**

**\$179**

- Frequency, Period, Totalize, Self Check with High Stabilized Crystal Oven Oscillator, 8 digit LED display

### GF-8016 Function Generator with Freq. Counter

**\$239**

- Sine, Square, Triangle Pulse, Ramp, .2 to 2MHz
- Freq Counter .1 - 10MHz

**GF-8015 without Freq. Meter \$179**

**WE WILL NOT BE UNDERSOLD!**  
UPS Shipping: US 5%  
(\$10 Max) IL Res., 7% Tax



**C & S SALES INC.**  
1245 Rosewood, Deerfield, IL 60015  
(800) 292-7711 (312) 541-0710

**15 Day Money Back Guarantee**  
**2 Year Warranty**  
**WRITE FOR FREE CATALOG**



# Station Control Node

## EXPAND YOUR VERSATILITY WITH THE SCN

By Barry Buelow, WA0RJT, 4110 Emerson Avenue, N.E., Cedar Rapids, Iowa 52402

Now you can use a terminal, computer, or even a mailbox to monitor and control your equipment with this packet radio Station Control Node (SCN). Packet radio provides a reliable link and the SCN controls the equipment. You can stay at home and use packet to find out what's going on up on the mountain or out among the corn stalks. Nearly any task you can do manually, you can now do remotely.

Figure 1 shows a typical SCN installation. You establish a connection with the remote TNC and automatically access the SCN. Designed to operate at unattended sites, the SCN lets you monitor door switches, tower lights, AC line status, temperature, RF power, SWR, or battery voltage. It lets you control antenna selection, frequency, power amplifier operation, and other functions. The Station Control Node is a data acquisition and control system that works in conjunction with a packet radio Terminal Node Controller (TNC). An SCN consists of a microcomputer and a variety of I/O buffers that you can access via packet.

Many SCN components incorporate high levels of integration to perform sophisticated functions. This lowers the parts count, reduces board size, and eases system startup.

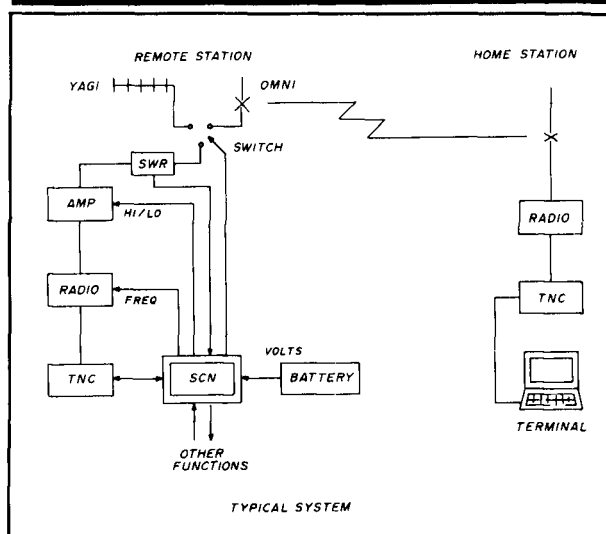
### Hardware description

The system's design is straightforward. Functional segregation facilitates trouble-shooting, should it be necessary. The components mount on two printed circuit boards. The main computer circuits are on one card and all the applications you want to control will connect to the buffer card.

### MCU card

All of the digital ICs are low power CMOS, including the MC68HC11 processor. Motorola did a good job of incorporating desirable features in this single-

FIGURE 1



Typical system.

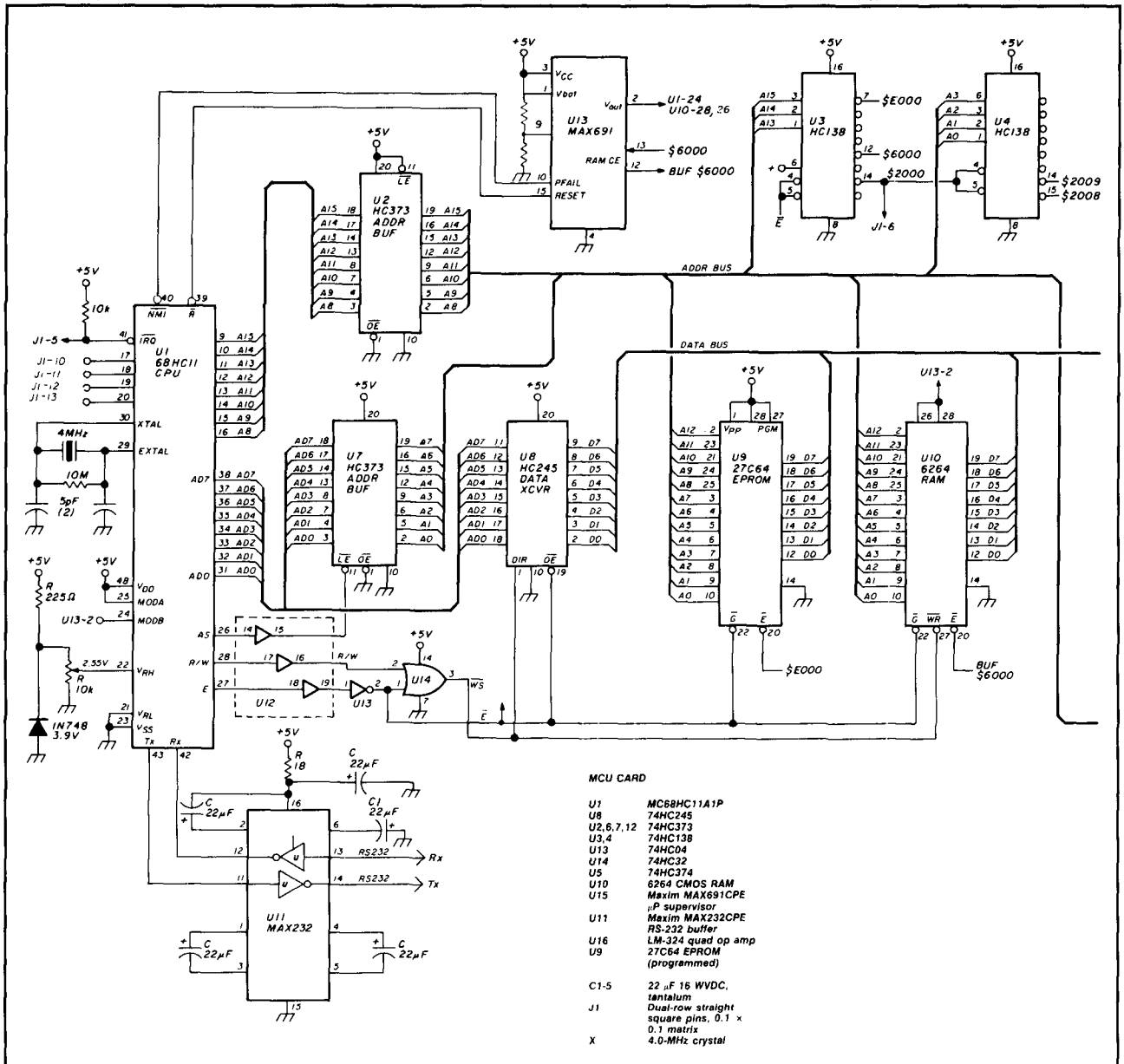
chip microcomputer (MCU). It contains the CPU, 256 bytes of RAM, 512 bytes of EEPROM, serial port, A/D converter, timers, and more. (These functions used to require a large amount of board space.) A single crystal, which is a multiple of the baud rate, serves as a clock for both the MCU and the internal serial port clock.

Operating in the expanded mode, the MCU configures the ports as an external data and address bus. These buses access the EPROM and hardware ports.

The MCU assembly consists of the MC68HC11, a 27C64 EPROM, buffers, address decoding, and two ports. A DIP switch identifies the type of TNC and selects the setup mode. A 7-segment LED display traces the software activity for debugging purposes. To provide for some expansion, a socket is available for a 6264 CMOS RAM (8K × 8). However, the current version of software doesn't require external RAM.

A Maxim MAX232 serves as the RS-232 interface.

**FIGURE 2**



**MCU card schematic. (All unused inputs of U12, U13, and U14 should be tied to ground.)**

This chip uses only +5 Vdc and generates  $\pm 10$  Vdc by a series of choppers and external tantalum capacitors. The line drivers and receivers then operate at the proper  $\pm 10$  volt levels.

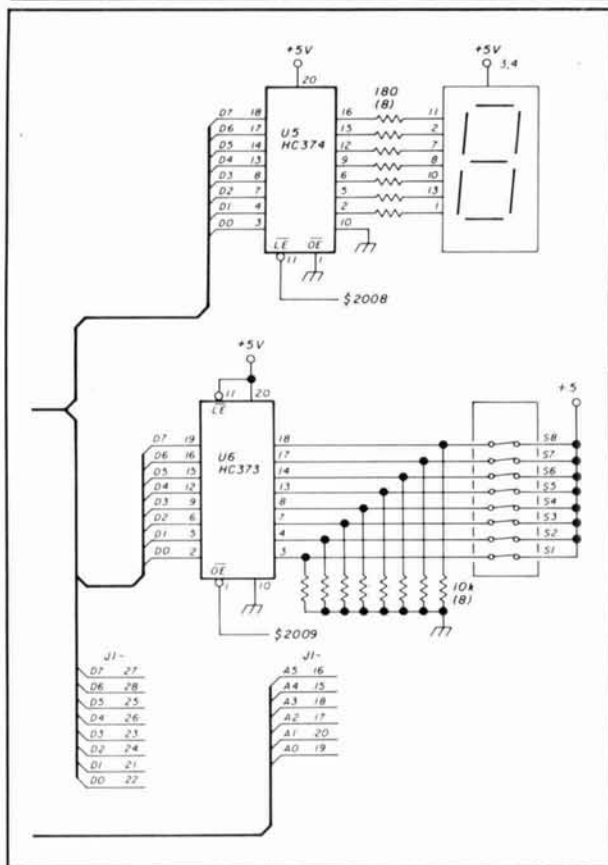
Another Maxim part, the MAX691, monitors the +5 Vdc line. In the event of a power failure or brownout, the chip will signal the MCU to halt operation. This prevents erroneous operation during power up/down which might corrupt the RAM data. The chip also switches the optional backup battery to the MODB line of the MCU, maintaining RAM data. (See fig. 2 for a complete schematic.)

### Buffer card

A single external power supply of at least 8 volts AC or DC will operate the entire unit. The SCN requires about 200 mA. You can use a modular AC line adapter or power the unit from a 12-Vdc source.

There are two ports (8 bits each) with buffers for discrete inputs. A network clamps the input to the CMOS logic levels and provides protection from lightning-induced spikes. Applying a voltage of +5 Vdc or more will provide a logic 1 to the MCU. A low logic level results from either applying a ground

FIGURE 2



or leaving the input open. This allows you to connect directly to signals operating over the range of +12 Vdc to ground. The SCN provides two ports with output drivers (7 bits each). A 74HC374 latches the data and drives a ULN 2003A which contains 7 Darlington pairs. These outputs are either open or sink current to ground. Note the logic here. When you set a bit, the SCN enables the driver which provides a ground, turning on the external device. At power up, all drivers are commanded to a logic 0. You can wire the two uncommitted bits to any unique drivers you wish to build.

Two additional ports can be installed with either 74HC373s or 74HC374s. The board location configures the port as either an input or output. You can build whatever interface you desire on these ports.

There are four analog inputs which have individual buffers and scaling. The inputs are single ended and feed into an LM-324 quad op amp. A voltage divider precedes the op amp for input voltages greater than +5 Vdc. You can use the high range to monitor a battery; the low range is suitable for monitoring SWR or forward power. The maximum input voltage translates to zero volts out and zero volts in becomes +2.55 volts out.

If the input is greater than +2.55 volts, the voltage

**Engineering Consulting's computer controlled Ham Shack**  
**Ultra Comshack 64 Repeater Controller**  
 HF & VHF Remote Base\* Autopatch\* CW Practice\* Rotor Control  
 \*Voice Meters\* Paging\* Logging\* Polite ID's\* Packet BBS input

Model CS64S  
**\$ 349.95**

Includes: Interface, disk, cables, Manual  
 Simplex version available on request

**Comshack 64 Options**

<p><b>Controller Features</b></p> <ul style="list-style-type: none"> <li>*Change variables remotely from touchtone or Packet</li> <li>*Unlimited voice messages</li> <li>*Alarm Clock, auto execute</li> <li>*Individual user codes</li> <li>*Disk &amp; Printer logging of users, tel #'s, lapsed time</li> <li>*Rotating Polite ID's</li> <li>*16 External relay controls</li> <li>*2-tone &amp; sub tone Paging</li> <li>*CW Practice with voice</li> <li>*Security mode, T.tone mute</li> <li>*Voice announces each user call sign when logging on</li> </ul>	<p><b>Autopatch &amp; Reverse</b></p> <ul style="list-style-type: none"> <li>*1020 (18 digit) tel #'s stored</li> <li>*Quick dial &amp; answer</li> <li>*Directed, general page</li> <li>*Selected restricted patch</li> <li>*Telephone control input</li> </ul> <p><b>Dual Combined Remotes</b></p> <ul style="list-style-type: none"> <li>*20 Macro memories</li> <li>*Scan up/down; 100Hz steps</li> <li>*Monitor &amp; lock modes</li> <li>*Operate splits, combine HF &amp; VHF radios as Dual VFO's</li> <li>*Automatic mode selection</li> <li>*Talking S Meter; Voltmeter</li> <li>*Rotor control speaks deg.</li> </ul>	<p><b>External relays; 3 DPDT relays +5</b></p> <ul style="list-style-type: none"> <li>Open Col. Tr. Sw...CS 8 .....\$79.95</li> <li>*Rotor control D.C. to digital display &amp; Voice; for all rotors.HM1 .....\$49.95</li> <li>*Packet &amp; BBS; Voice Meters &amp; Alarm Inputs; 8 On/Off PKB. \$149.95</li> <li>*Slave Packet interface &amp; cable Links PK8 to 2nd C64 PK1 ....\$49.95</li> <li>*EPROM Autoboot, custom PROM cart with your system.CART.\$ 99.95</li> <li>*C64 &amp; 1541 12V.Switching supply crystal controlled...DCPS.\$119.95</li> <li>*System Manual ;Refunded with purchase of CS64S....MN1...\$ 15.00</li> </ul>
-------------------------------------------------------------------------------------------------------------------------------------------------------------------------------------------------------------------------------------------------------------------------------------------------------------------------------------------------------------------------------------------------------------------------------------------------------------------------------------------------------------------------------------------------------------------	----------------------------------------------------------------------------------------------------------------------------------------------------------------------------------------------------------------------------------------------------------------------------------------------------------------------------------------------------------------------------------------------------------------------------------------------------------------------------------------------------------------------------------------------------------------------------------------------------------------------------------	-------------------------------------------------------------------------------------------------------------------------------------------------------------------------------------------------------------------------------------------------------------------------------------------------------------------------------------------------------------------------------------------------------------------------------------------------------------------------------------------------------------------------------------------------------------------------------------------------------------------------------------------------

<p><b>Computer Control</b>                  YAESU FT-727R                  C64 OR IBM                  Mini Cat</p> <p>Allows H.T. to scan 100 Channels &amp; programs                  H.T. for field use! Digital "S" Meter; comment fields; auto resume &amp; delay; Scan Lock-outs; Loads FT727 in 15 sec.                  Hardware, cables, &amp; disk included for C64 or IBM</p> <p>Model 727 <b>\$39.95</b></p>	<p><b>Touchtone Decoder</b>                  4 digit sequence; &amp; QUAD expansion 4 relay option</p> <p>2"x3" TSDD</p> <p>8/20 V &amp; audio in; Field Program 50,000 Codes; Mom. &amp; Latching; DPDT Relay; Wrong digit reset; LED for digit valid &amp; latch; inc. 24 Pin connector</p> <p>QUAD option adds: four 2 Amp. relays; 5 digit master on/off control for each relay</p> <p>TSDD <b>\$79.95</b> QUAD <b>\$99.95</b></p>	<p><b>Decode-A-Pad</b>                  Touchtone to RS232                  300 Baud Interface</p> <p>2"x3" DECODE-A-PAD</p> <p>For all computers Inc. Basic Program or use any terminal program!                  Decodes all 16 touchtone digits; Digit valid &amp; data LED; requires 12V &amp; audio.</p> <p>DAP <b>\$ 89.95</b></p>
----------------------------------------------------------------------------------------------------------------------------------------------------------------------------------------------------------------------------------------------------------------------------------------------------------------------------------------------------------------------------------------------------------------------------------------------	--------------------------------------------------------------------------------------------------------------------------------------------------------------------------------------------------------------------------------------------------------------------------------------------------------------------------------------------------------------------------------------------------------------------------------------------	------------------------------------------------------------------------------------------------------------------------------------------------------------------------------------------------------------------------------------------------------------------------------------------------------------------------------------------------------

<p><b>AUDIO BLASTER</b>                  IC02;04;2AT;FT727; U16;FT209;109;73;23</p> <p>AB1S - Miniature Audio Amp</p> <p>Module installs inside all H.T.'s                  1 watt audio amp! When it needs to be loud! Installs in 15 Min. Used by police, fire!</p> <p>Model AB1S <b>\$22.95</b></p>	<p><b>12 V. C64 Switcher</b></p> <p>Crystal control 60 HZ @ 9 VAC; 5 Volts @ 2 A. Plugs into C64; 75% Eff.Power C64 &amp; 1541; runs cool!</p> <p>DCPS <b>\$119.95</b></p>
----------------------------------------------------------------------------------------------------------------------------------------------------------------------------------------------------------------------------------------------------------------------------------------------------------------	----------------------------------------------------------------------------------------------------------------------------------------------------------------------------

ENGINEERING CONSULTING  
 583 CANDLEWOOD ST.  
 BREA, CA. 92621

TELEPHONE:  
 714-671-2009  
 FAX :714-255-9984

Please add \$3.00 Shipping USA, Ca. resident add 6%  
 Ask for free catalog



**New State-of-the-Art DDS Radio!**

New ICOM IC-725 compact radio. Does it all too. SSB/CW and optional FM and AM board. Uses DDS, low phase noise synthesizer technology. 105 dB dynamic range receiver.

Covers all Amateur Bands 160-10 and SWL frequencies 30 kHz to 30 MHz! Also has super noise blanker, dual VFO's and optional narrow CW filter. Designed for 100% duty cycle use.

Additional Options available. Call TODAY!

Suggested Retail.....\$949  
 Madison's Low Price Just.....\$799

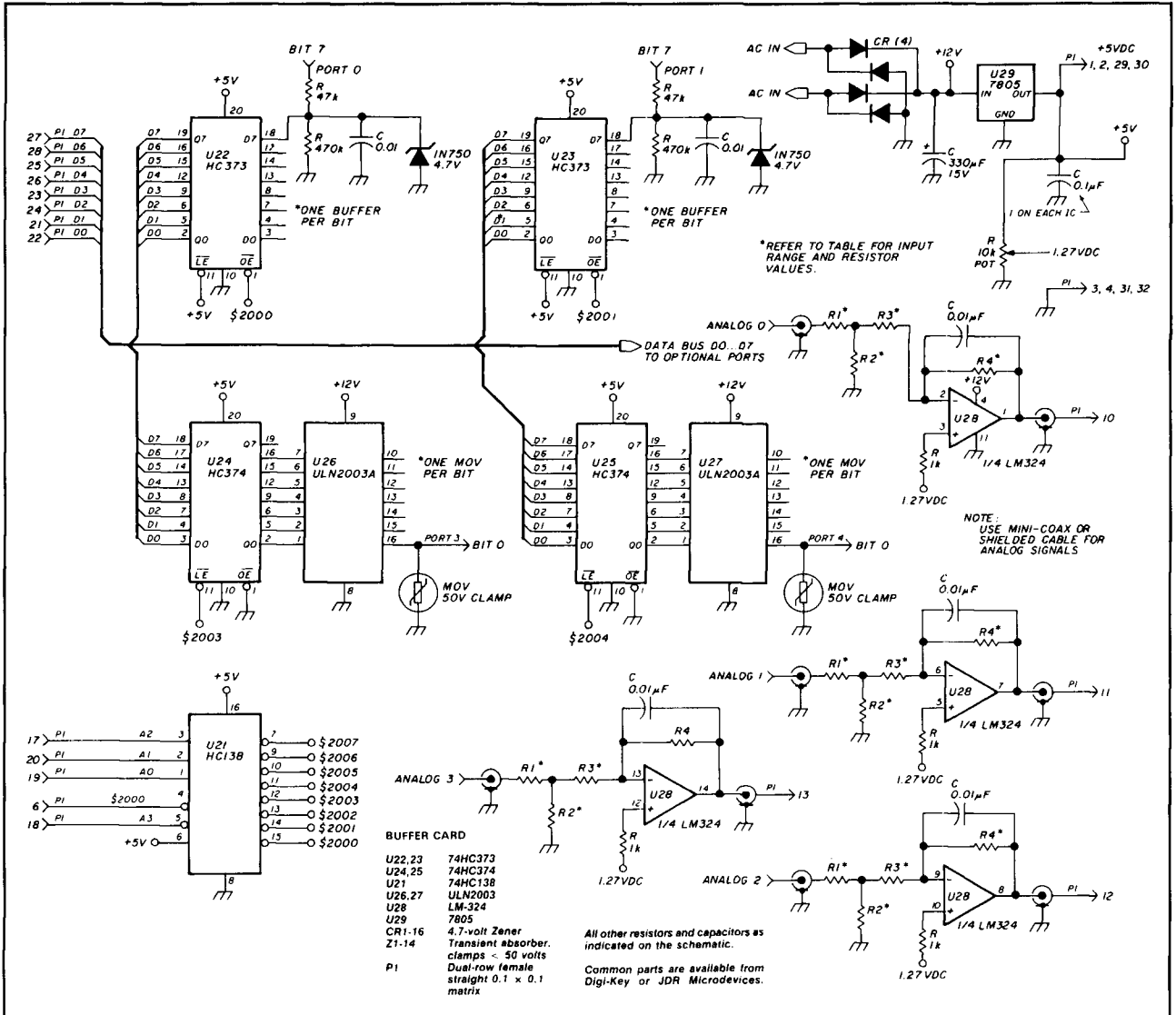
**MADISON Electronics Supply**

outside Texas  
**1-800-231-3057**  
 Texas and outside U.S.  
**1-713-520-7300**

3621 Fannin St. • Houston, Texas 77004



**FIGURE 3**



**Buffer card schematic.**

divider must reduce the signal. In **Table 3**, the + 15 volt signal is divided down to +2.55 volts using a divider current of 1mA. The buffer gain is - 1 and the software inverts the signal again.

**Figure 3** shows a complete schematic.

**Software**

The software has a good mix of user-accessible functions and self-maintenance tasks. These should take care of most of your remote control needs and eliminate a few trips to the mountain top.

Many program functions aren't visible, but are essential to SCN operation.

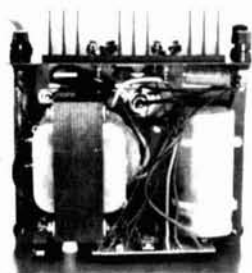
- Every 31 mS, the MC68HC11 internal hardware generates an interrupt which triggers the background task.

- Software timers monitor user activity and reset the heartbeat monitor periodically.

- A foreground routine monitors flags set by the various interrupts and transfers control to the proper servicing task. Limiting the number of tasks helps fit all of the operation into the 256 bytes of RAM, so only one task is active at a time.

Foreground tasks perform these functions: user sign-on message and menu, long/short menu, recognition of one-character commands, traps for illegal commands, and a long delay on power up so the TNC can recover first.

The program measures the analog inputs with each program cycle. Depending on the state of the PTT line, the A/D values are stored in RAM as TX or RX data.



INSIDE VIEW — RS-12A

## ASTRON POWER SUPPLIES

• HEAVY DUTY • HIGH QUALITY • RUGGED • RELIABLE •

### SPECIAL FEATURES

- SOLID STATE ELECTRONICALLY REGULATED
- FOLD-BACK CURRENT LIMITING Protects Power Supply from excessive current & continuous shorted output
- CROWBAR OVER VOLTAGE PROTECTION on all Models except RS-3A, RS-4A, RS-5A.
- MAINTAIN REGULATION & LOW RIPPLE at low line input Voltage
- HEAVY DUTY HEAT SINK • CHASSIS MOUNT FUSE
- THREE CONDUCTOR POWER CORD
- ONE YEAR WARRANTY • MADE IN U.S.A.

### PERFORMANCE SPECIFICATIONS

- INPUT VOLTAGE: 105-125 VAC
- OUTPUT VOLTAGE: 13.8 VDC ± 0.05 volts (Internally Adjustable: 11-15 VDC)
- RIPPLE Less than 5mv peak to peak (full load & low line)
- Also available with 220 VAC input voltage



MODEL RS-50A



MODEL RS-50M



MODEL VS-50M

### RM SERIES



MODEL RM-35M

### 19" × 5 1/4" RACK MOUNT POWER SUPPLIES

MODEL	Continuous Duty (Amps)	ICS* (Amps)	Size (IN) H × W × D	Shipping Wt. (lbs.)
RM-12A	9	12	5 1/4 × 19 × 8 1/4	16
RM-35A	25	35	5 1/4 × 19 × 12 1/2	38
RM-50A	37	50	5 1/4 × 19 × 12 1/2	50
• Separate Volt and Amp Meters				
RM-12M	9	12	5 1/4 × 19 × 8 1/4	16
RM-35M	25	35	5 1/4 × 19 × 12 1/2	38
RM-50M	37	50	5 1/4 × 19 × 12 1/2	50

### RS-A SERIES



MODEL RS-7A

MODEL	Continuous Duty (Amps)	ICS* (Amps)	Size (IN) H × W × D	Shipping Wt. (lbs.)
RS-3A	2.5	3	3 × 4 1/4 × 5 3/4	4
RS-4A	3	4	3 1/4 × 6 1/2 × 9	5
RS-5A	4	5	3 1/2 × 6 1/4 × 7 1/4	7
RS-7A	5	7	3 3/4 × 6 1/2 × 9	9
RS-7B	5	7	4 × 7 1/2 × 10 3/4	10
RS-10A	7.5	10	4 × 7 1/2 × 10 3/4	11
RS-12A	9	12	4 1/2 × 8 × 9	13
RS-12B	9	12	4 × 7 1/2 × 10 3/4	13
RS-20A	16	20	5 × 9 × 10 1/2	18
RS-35A	25	35	5 × 11 × 11	27
RS-50A	37	50	6 × 13 3/4 × 11	46

### RS-M SERIES



MODEL RS-35M

MODEL	Continuous Duty (Amps)	ICS* (Amps)	Size (IN) H × W × D	Shipping Wt. (lbs.)
• Switchable volt and Amp meter				
RS-12M	9	12	4 1/2 × 8 × 9	13
• Separate volt and Amp meters				
RS-20M	16	20	5 × 9 × 10 1/2	18
RS-35M	25	35	5 × 11 × 11	27
RS-50M	37	50	6 × 13 3/4 × 11	46

### VS-M AND VRM-M SERIES



MODEL VS-35M

- Separate Volt and Amp Meters • Output Voltage adjustable from 2-15 volts • Current limit adjustable from 1.5 amps to Full Load

MODEL	Continuous Duty (Amps)			ICS* (Amps)	Size (IN) H × W × D	Shipping Wt. (lbs.)
	@13.8VDC	@10VDC	@5VDC	@13.8V		
VS-12M	9	5	2	12	4 1/2 × 8 × 9	13
VS-20M	16	9	4	20	5 × 9 × 10 1/2	20
VS-35M	25	15	7	35	5 × 11 × 11	29
VS-50M	37	22	10	50	6 × 13 3/4 × 11	46
• Variable rack mount power supplies						
VRM-35M	25	15	7	35	5 1/4 × 19 × 12 1/2	38
VRM-50M	37	22	10	50	5 1/4 × 19 × 12 1/2	50

### RS-S SERIES



MODEL RS-12S

- Built in speaker

MODEL	Continuous Duty (Amps)	ICS* Amps	Size (IN) H × W × D	Shipping Wt. (lbs.)
RS-7S	5	7	4 × 7 1/2 × 10 3/4	10
RS-10S	7.5	10	4 × 7 1/2 × 10 3/4	12
RS-12S	9	12	4 1/2 × 8 × 9	13
RS-20S	16	20	5 × 9 × 10 1/2	18

When you give the VOLTS command, the two values taken from RAM represent the most current data in both modes. This operation is necessary to observe RF power and power supply voltage drop during TX.

One interesting program feature is the channel statistics display. The SCN samples the TNC's DCD and PTT lines 30 times per second and computes their duty cycles. The ACTIVITY command shows this record, in 1-hour intervals, for the previous 12 hours. You can see when the BBS forwards late at night and the local activity picks up after 5 p.m.

You can set or clear individual port's bits one at a time with the S (C) command. The bit is used as a mask to modify the output port's image in RAM; then the data is copied to the port. If you change only one bit, the other functions on that port won't be affected by the new data. You don't have to know the previous settings for all other bits in a port. The SCN program reads the ports so you can see the new data and acknowledge it.

If a mailbox sends a script to the SCN at the beginning of a forward, the function will operate without knowledge of the other bits. When forwarding is completed, the mailbox can clear the desired bits.

A level of protection exists for Port 3 (output). You need a password to use this port and access the additional commands. Because of the protection feature built into Port 3, it would be inadvisable to describe the password implementation procedure here. I will, however, send information about adding this procedure to the system to anyone who orders the program object code.

## Operation

To access the SCN from any packet station, simply establish a connection. This is exactly the same procedure you'd use to talk to another station, but the SCN will reply instead of another ham. The SCN recognizes the "\*\*\*\* Connected to xxx" message from the local TNC and responds with a sign-on message and menu. You can select an item from the menu:

- Examine the input ports.
- Command output ports.
- Review channel activity statistics.
- Monitor the analog inputs.

Refer to **tables 1** and **2** for more detail.

Several commands require only one letter: A, D, H, P, and V. You just send the letter (upper or lower case) followed by a carriage return. The SCN will respond with the information you requested.

You must enter the port and bit numbers to access commands that address a specific function. To enable an external device connected to the SCN you'd

**TABLE 1**

**Table 1. Menu**

A	Activity: displays DCD and PTT statistics for the previous 12 hours.
Cpb	Clear bit port: clears (logic 0) the bit b of port p. Example: C10 clears bit 1 of port 0.
D	Disconnect.
H	Help: a short description of the commands.
P	Ports: returns hexadecimal equivalents of ports.
Spb	Set bit port: sets (logic 1) the bit b of port p.
T?s	TNC inquiry string: asks the TNC for the current value of parameter string s.
V	Volts displays all 4 analogs during both TX and RX.
X=n	Answer to problem, a 2-digit number, allows access to restricted commands.
X?	Requests a problem.

Port assignments: 0,1,2 & 3 are inputs; 4,5,6 & 7 are outputs. Bits are numbered 0 to 7; 0 is the least significant bit.

**TABLE 2**

**Table 2. Restricted commands**

T=s	TNC command, sends the string s to the TNC.
Z=n	Key number.
Z?	Displays the current key number during setup.

send S45 with no spaces. The first digit (in this case 4) indicates the port number and 5 indicates the bit of that port. Strings which are longer or shorter than three characters are invalid and don't affect the ports.

## Static precautions

Both cards use delicate CMOS devices which require proper handling. Store loose devices in antistatic foam or bags. During assembly, lay a sheet of aluminum foil on the workbench. Use a wrist strap with a 10-meg resistor in series to connect yourself to the foil. Four items should be at the same electrical potential: the circuit boards, the components, the soldering iron, and you.

## MCU card assembly

Use sockets for the MCU, EPROM, and the two Maxim parts. Solder in all other components on the MCU board, including the HC devices. Be sure to check for shorts between pins. Before installing the MCU and EPROM, apply +5 Vdc to the card and monitor the current. It shouldn't exceed 200 mA. For greater precision, you may want to install 1-percent resistors in all the analog signal processing circuits.

As a monitor, the 7-segment display shows a number indicating the task that is currently active. The display should count to 4 in about 4 seconds at power

**TABLE 3**

**Table 3. Analog scaling matrix**

Input Voltage	0.5	1.5	5	15
R1	short	short	2.43 k	12.4 k
R2	open	open	2.55 k	2.55 k
R3	10 k	10 k	249 k	249 k
R4	51.1 k	16.9 k	249 k	249 k
Divider	1	1	2	5.9
Gain	-5.1	-1.7	-1	-1

Note: All above values are standard 1-percent precision resistors.

up. If the display doesn't show the proper function, you'll need a scope or a logic probe suitable for CMOS.

To trouble shoot, check the applied voltages. See if reset has gone high and check the oscillator. The EPROM should be getting a series of chip enables. Determine if the MCU is running. Check for shorted or open address and data lines. Very little can go wrong with the circuitry and stop the processor.

### Buffer card assembly

Build the power supply section first. Use a resistor to simulate the load of the MCU and buffer cards (200 mA). Apply power and check for proper supply regulation.

Determine the amount of I/O you want to build, multiply by 2, then put the components on the buffer card. You can test the discrete buffers before you install the 74HC373s by strapping the inputs high/low and observing their operation with a scope. You'll have to decide what signal levels you wish to monitor and scale the analog inputs using the values in **table 3**. Input signals greater than +5 volts require a divider stage. Scaling for 15 volts allows some headroom for battery chargers and power supplies running a little above normal. Adjust the reference voltage pot for 2.5 Vdc at the CPU.

### Wiring

Maintain good static precautions and mount the boards in an environmentally tight enclosure. Construct four cable bundles from the cards to the chassis connectors — one for the power input, a second for the signals to the TNC, a third for the digital I/O, and a fourth for the analog inputs. Use shielded cables on the analog inputs and maintain good cable bundle separation. This will prevent coupling of the serial I/O noise to the outside and limit potential lightning problems.

Wire discrete lines and analog inputs with shielded cables. Be sure to terminate the shield at both ends. This level of protection is required because lightning strikes can induce destructive voltages.

## AMATEUR TELEVISION

### SMILE! YOU'RE ON TV



Only  
**\$299**

Designed and built in the USA  
Value + Quality  
from over 25 years  
in ATV...W6ORG

With our all in one box TC70-1 70cm ATV Transceiver you can easily transmit and receive live action color and sound video just like broadcast TV. Use any home TV camera or VCR by plugging the composite video and audio into the front VHS 10 pin or rear phono jacks. Add 70cm antenna, coax, 13.8 Vdc and TV set and you are on the air...it's that easy!

TC70-1 has >1 watt p.e.p. with one xtal on 439.25, 434.0 or 426.25 MHz, runs on 12-14 Vdc @ .5A, and hot GaAsfet downconverter tunes whole 420-450 MHz band down to ch3. Shielded cabinet only 7x7x2.5". Transmitters sold only to licensed amateurs, for legal purposes, verified in the latest Callbook or with copy of license sent with order.

Call or write now for our complete ATV catalog including downconverters, transceivers, linear amps, and antennas for the 70, 33, & 23cm bands.

(818) 447-4565 m-f 8am-5:30pm pst.

Visa, MC, COD

**P.C. ELECTRONICS**

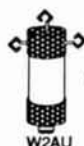
2522 Paxson Ln Arcadia CA 91006

Tom (W6ORG)

Maryann (WB6YSS)

## UNADILLA ANTENNA MANUFACTURING CO.

PO Box 4215 BV·Andover·MA·01810  
(508) 475-7831 9am-5pm EST·(508) 474-8949 24HR FAX



W2AU  
(1:1 & 4:1)



W2DU  
(HF&VHF)

### THE BIG SIGNAL

#### Amateur Antenna Baluns

For over 20 years, preferred by Amateur, Military and Commercial Operators. Assembled with all stainless steel hardware and a built-in lightning arrester minimizes your TVI, maximizes your power.

#### Transformer Baluns

For medium power (1000 watts RF minimum) and broadband operation 3-40 MHz.

##### W2AU 1:1

50/50 or 75/75Ω

Dipoles, V's

Beam Models, Quads

##### W2AU 4:1

200/50 or 300/75Ω

Hi-Impedance Antennas

(ie:Folded Dipoles)

#### Non-Transformer Baluns

##### W2DU-HF

1.8-30 MHz

3000-9000W

1500-5000W



w/1:1 SWR

w/2:1 SWR

##### W2DU-VHF

30-300 MHz

2000-4000W

1200-2400W

### Contact Your Local Ham Dealer Today!!!

Call or write direct for our informational brochure on our other fine products  
Trape-Antenna Kits-Filters-Center Insulators-ENDsulators™-Coaxial Relays  
All products come with a 30 Day Warranty

-NOTICE-

We are the **NEW** manufacturers of the original

**JAMES MILLEN™** Products

(508) 475-7831 9am-5pm EST

✓ 170

Mate the two cards, but don't make any connections to the external devices. Turn on the SCN and watch the display for proper operation.

## TNC hookup

For RS-232, connect only pins 2, 3, and 7 of the TNC. Set the TNC for 1200 baud, 7 data bits, even parity and 1 stop bit. Use a terminal to set the callsign and verify TNC operation. If you are using a TNC-1, be sure to perm the data and set the dip switch to use the stored values during initialization. Other TNC AX.25 parameters should conform to standards established in your area. Refer to **table 4** for some specific TNC settings and **table 5** for some specifics on the SCN.

**TABLE 4**

**Table 4. TNC Settings**

MON	OFF	XFLOW	ON
MCON	OFF	CONOK	ON
MALL	OFF	TRACE	OFF
FLOW	ON	BEACON	0
ECHO	OFF		

**TABLE 5**

**Table 5. Specifications**

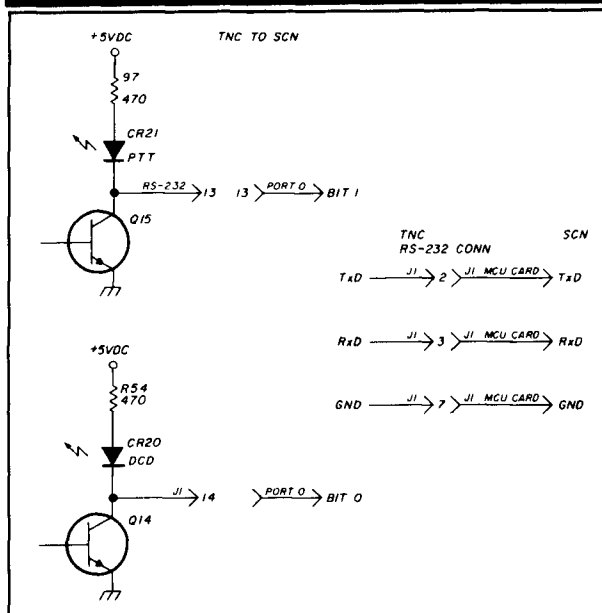
Serial Bus:	RS-232, 1200 baud, 7 data bits, even parity, 1 stop bit, on board $\pm$ 10 volt generator, recognizes TAPR TNC commands.
Inputs:	Discrete inputs: 2 ports, (16 bits). Analog inputs: 4. User determines scaling, 8-bit resolution.
Outputs:	Discrete: 2 ports (14 bits) with high level driver (200 mA/bit).
Additional ports:	2 uncommitted ports (16 bits). User selects type of buffering or drivers.
Power input:	8 to 15 volts, AC or DC @ 200 mA.
Size:	2 boards, each approximately 6.5 x 4.75 inches.

There are enough unused RS-232 connector pins on both the TNC-1 and TNC-2 so that two can be freed and used for DCD and PTT. This allows a single connector to make all TNC to SCN circuits. Break the connector pin to ground lines in the TNC. Now wire from the connector pins to a point which goes to ground to light the appropriate LED. If you get the wrong side of the LED or current-limiting resistor, the signal won't go low enough. Use a meter to determine the proper point in your TNC. See **fig. 4** for more details.

## Setup

You'll need a null modem adapter to connect a terminal to the SCN. This swaps the functions of pins

**FIGURE 4**



**TNC to SCN interconnection**

2 and 3. The SCN configuration is Data Terminal Equipment (DTE) and the terminal is Data Communications Equipment (DCE) during setup. With the SCN turned off, set dip switch number 4 (bit 3) to on and apply power. The SCN will come up in setup mode so you can enter the key number using the Z= and Z? commands. When you've completed this step, remove power and set switch number 4 to OFF for normal operation. The null modem adapter isn't required for normal operation with the TNC.

If everything looks good, connect the TNC to the radio and the SCN to the various equipment. Apply power to the TNC and then to the SCN. To test the system, use another packet station and perform a connect request and select from the menu items.

## Conclusion

This system is simple to operate and has a great deal of utility. Its variety of inputs and outputs should meet most of your needs. The system's real flexibility is demonstrated with each unique implementation that adds a little different flavor to packet radio.

## Software and pc boards

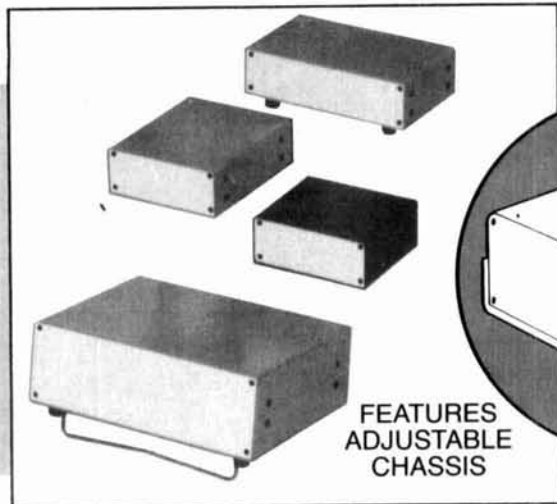
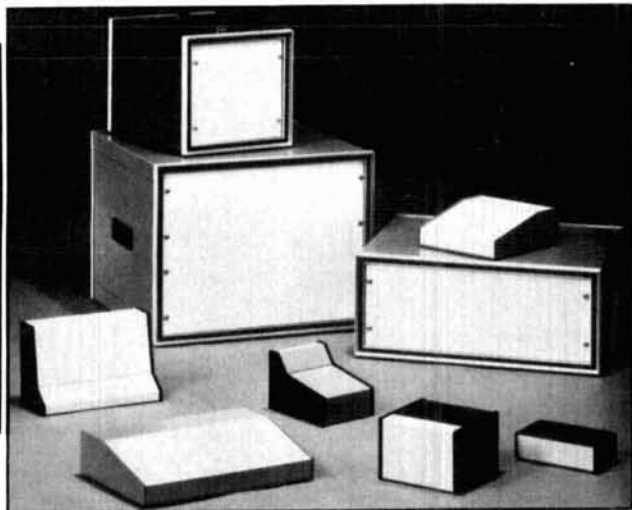
If you'd like the program object code, it's available in two forms — a programmed 27C64 which works directly in the circuit (\$12) or an IBM compatible PC disk with the files in both Motorola S record and raw hex format (\$5). You may copy and distribute the object code in either form. A set of double-sided pc boards is also available for \$50. I can also send you the CPU and Maxim parts. For more information, write me at the address listed at the beginning of this article.

**HAM RADIO**



# THE TOUCH OF CLASS...

Your projects deserve a good looking enclosure and we have them. All metal or metal and plastic combinations in virtually all shapes and sizes. The unique "Constructo" series features a selectable height chassis, or the use of multiple chassis decks. Whether your project is a "week-ender" or a mind boggler, add the touch of class.



FEATURES  
ADJUSTABLE  
CHASSIS

Send for your free copy  
of our complete catalog.

**TEN-TEC**

Highway 411 E.  
Sevierville, TN 37862  
615-453-7172

175

## K COMM., INC. THE HAM STORE

Stocking all major lines. San Antonio's  
Ham Store. Great Prices—Great Service.  
Factory authorized sales and service.  
Hours: M-F 10-6, SAT 9-3

**KENWOOD**

**YAESU**



**ICOM**

5707A Mobud  
San Antonio, TX 78238  
800-344-3144  
Orders Only



139

## RELY ON JAN FOR 3-WAY HELP:

1. TECHNICALLY  
CORRECT CRYSTALS  
TO YOUR SPECS.
2. QUICK TURNAROUND  
WITH HUGE  
INVENTORY, PROMPT  
SERVICE, AND OUR  
EMERGENCY ORDER  
PLAN.
3. LOW PRICES.

QUARTZ CRYSTALS FOR  
TWO-WAY — INDUSTRY  
MARINE — AMATEURS  
SCANNERS — CBs  
MICROPROCESSORS



FOR FREE CATALOG,  
CALL OR WRITE:  
**JAN CRYSTALS**  
P.O. BOX 06017  
FORT MYERS, FL 33906  
(813) 936-2397

SINCE  
1965

VISA

MasterCard

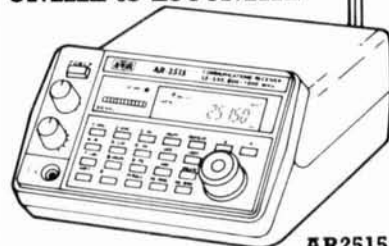
**TOLL-FREE: 1-800-237-3063**

IN FLORIDA: 1-800-226-XTAL  
FAX ORDERS: 1-813-936-3750

176

## New from AOR

2000 Channels  
5MHz to 2000MHz



AR2515

- Covers 5MHz to 2000MHz in AM/FM/Wide FM modes Continuous coverage.
- 2000 Channel Memory 1984 Scan Frequencies & 16 Search Groups
- Scan/Search speeds up to 36 channels or increments per second
- Built in RS 232 computer interface
- 25 Day Satisfaction Guarantee. Full Refund if not Satisfied
- Size 3 7/8" H x 5 9/16" W x 7 1/4" D Wt. 2 lb. 10 oz.
- Supplied with AC & DC power cords Telescopic antenna

Total Price, Freight Prepaid  
(Express Shipping Optional)  
\*Upgrades of AR2002's  
to AR2515 specs Available

**\$695.00**



COMMUNICATIONS  
10707 E. 106th St. Indpls., IN 46256

Toll Free 800-445-7717

Visa and MasterCard  
(COD slightly higher)

In Indiana 317-849-2570 Collect FAX (317) 849-8794

101



## THE HAM NOTEBOOK

### The 12-meter "garage plane" antenna

Are you weary of trying to explain your compromise antenna for the new 12-meter band? If you yearn for an

antenna dedicated to this band you might want to try my idea. Some of the attractive assets of the "garage plane" are:

- Low cost (ridiculously low)
- Simple construction
- Easily tuned
- Respectable SWR
- Unobtrusive

I got the idea of using my garage as an antenna base when I ran out of room to mount antennas on my modest suburban lot. My garage was the only unadorned area left. It also has a

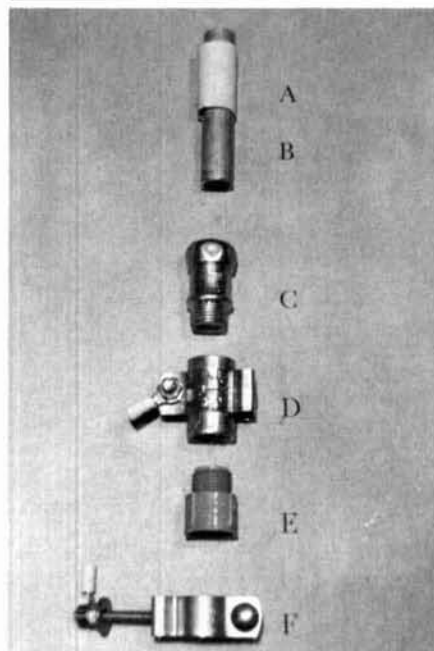
hip roof design allowing installation of a drooping ground radial configuration.

The major cash outlay for this project was the purchase of a 10-foot length of 1/2" thin-wall conduit. You can buy it at most hardware and building supply stores for less than \$3. The other parts will probably cost you about another \$3.

The first construction step is probably the most difficult; it's making the decision to drill a 3/4" hole through the garage roof. After you've done this, the rest is relatively easy. (See photos A through C for construction details.)

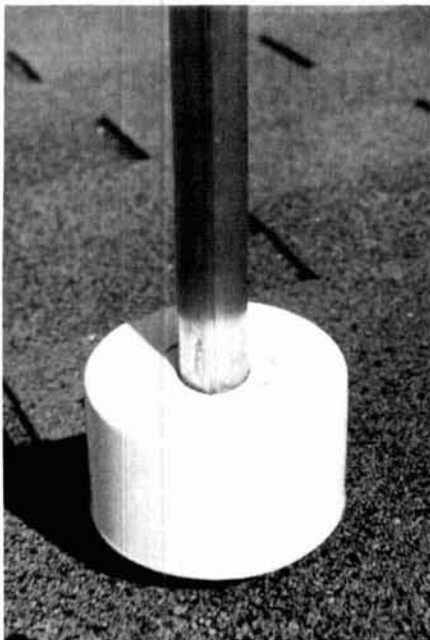
The antenna is a basic ground plane, nothing new. The 8 radials are cut to 9' 2-1/2". Four are stapled to the underside of the hip ridge rafters. The others are spaced equally between the ridges and stapled to the underside of the midpoint rafters. I made the radials out of scrap 12-gauge stranded wire. Cut the radiator to about 9' 6" initially; then follow standard antenna pruning procedure to obtain minimum SWR. (I used a copper-tubing cutter.) I got optimum resonance at a combined

PHOTO A



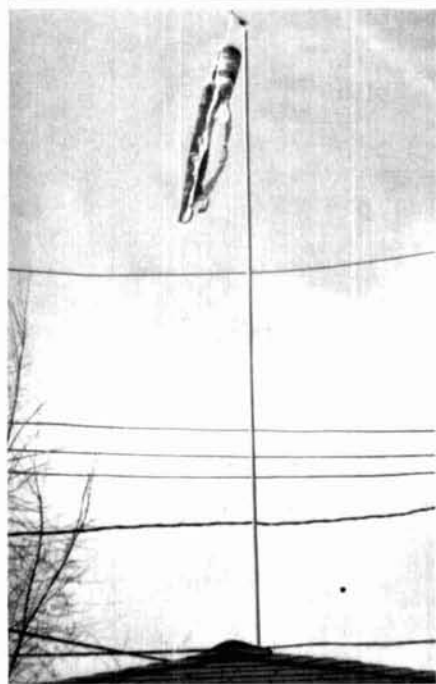
Component line-up: (A) Shrink-fit insulation tube, (B) 1/2" thin-wall conduit, (C) 1/2" conduit compression fitting, (D) 1/2" coupling with 3/4" conduit hanger and 1/4-20 bolt and nut, (E) 1/2" PVC to pipe fitting, (F) 3/4" conduit hanger with 1/4-20 bolt and nut. Note: The bolt in item D is used for connecting the center conductor of the coax. The bolt in item F is used for connecting the assembly to a board under the roof, as well as for the shield of the coax and the 8 radials.

PHOTO B



Rainproofing. A cap from a can of spray paint serves as a water shield.

PHOTO C



The radiator. Note the wind sock. Powerlines in the background are 35 feet behind the antenna.

(conduit plus fittings and unshielded coax) radiator length of 9' 2-1/2". This meant a conduit length of about 8' 10-1/2". The SWR at this length was 1.2:1 across the entire band.

Now before closing the garage door and returning to the shack to verify your antenna's on-the-air performance, seal the hole in the roof with roof patch cement or silicone rubber. As an added weatherproofing measure, you can use the plastic cap from a spray paint can. Punch a hole in the center of it with a scrap of the conduit. Slide the cap over the conduit (right side up) until it's just above the roof shingle and then seal it in place.

Performance tests indicated the following:

Item Tested	Garage Plane*	Inverted V dipole**
Noise level	Slightly above	Reference
Directionality	Omni	Almost Omni
TVI***	None	None
Signal Received (Average)	+ 1 1/2 S-units	Reference
Signal Transmitted (Average)	+ 1 1/2 S-units	Reference

While these statistics show that perhaps the antenna excels more in uniqueness of construction than it does in performance, the + 1 1/2 S-units consistently reported can't be ignored. Keep in mind that this antenna was erected primarily as a general purpose device to enable 12-meter operation without resorting to antenna tuners and makeshift antennas.

I hope you enjoy building and using your 12-meter antenna as much as I've enjoyed mine. The antenna is so good that it even defied the unwritten law, "An antenna's performance rating is directly proportional to the adverse weather conditions encountered during installation." The antenna was erected on a clear, warm, and sunny day and it works great!

**Richard St. Amant, W8PDV**

\*Stations worked during the test ranged from South Africa, Greece, the Caribbean, and California.

\*\*The feedpoint of the inverted V antenna was at an elevation level with the center of the garage plane radiator, about 16 feet above ground.

\*\*\*The TV antenna on the set used for TVI verification is located 35' from the center of the garage plane. TV antenna height is 16 feet above ground. The TV set was located next to the transceiver. TV transmitters averaged 20 air miles away.

Article E

## "NEW" SUPER LINEAR ANTENNA SYSTEM

MODEL	FREQUENCY	GAIN	POWER	LENGTH	USE	PRICE
CA-2x4z	146 MHZ	8.2dB	200 W	15'4"	Base	<b>\$192.85</b>
	446 MHZ	11.5dB				
CA-1243E	446 MHZ 1.2GHZ	8.5dB 10.1dB	100 W	4'8"	Base	<b>\$ 85.95</b>
CA-901	146/446/1.26GHZ	3/6/8.4dB	150 W	3'5"	Base	<b>\$ 91.55</b>
CFC-771	900-930MHZ	7.14dB	50 W	4'5"	Base	<b>\$ 97.40</b>
CA-1221S	1260/1300	15.5dB	100 W	7'8"	Base	<b>\$151.90</b>
CA-2422S	2400/2450	15.3dB	100 W	4'8"	Base	<b>\$173.55</b>

### NEW! SWR Power Minimizers



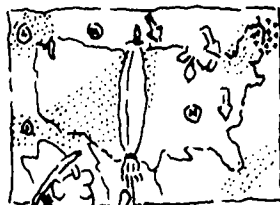
CM	200 —	144 - 150 MHZ	<b>\$ 62.50</b>
CM	300 —	200 - 230 MHZ	<b>\$ 62.50</b>
CM	400 —	420 - 460 MHZ	<b>\$ 62.50</b>
CM	900 —	900 - 930 MHZ	<b>\$ 93.50</b>
CM	1200 —	1200 - 1300 MHZ	<b>\$ 93.50</b>

DUAL & TRI BAND MOBILE ANTENNA'S DUPLEXERS - TRI PLEXERS  
Dealer inquiries welcomes.

(714) 630-4541  
1275 N. Grove St., Anaheim, CA 92806

Specifications and prices subject to change without notice or obligation.

✓ 148



## WEATHER SOFTWARE

ACCU-WEATHER FORECASTER is a menu driven program that allows the user to tap into Accu-Weather's extensive computerized database. In addition to Accu-

Weather's forecasts, you can get hourly updates from National Weather Service Offices nationwide.

Maps, graphs, pictures, charts, and narrative descriptions are just part of what can be downloaded to your MS-DOS computer. To save telephone and hook-up charges, tell your computer first exactly what information you want. Then call ACCU-WEATHER; the computer will download the files you want and save them to disk. Information can be obtained for the entire United States or a specific geographical region.

Several different services are available from ACCU-WEATHER. Price varies with the service and time of day that the computer is accessed. Add \$3.50 for shipping and handling.

- MC-IBM
- MC-MAC

\$89.95  
\$89.95

Please add \$3.50 for shipping and handling

# HAM RADIO BOOKSTORE

GREENVILLE, NH 03048

603-878-1441



# New! NRI course in Cellular Telephone Installation and Servicing prepares you to succeed in today's fastest-growing communications field

**Includes full-featured mobile cellular telephone you keep!**

Now you can get the skills you need to cash in on today's booming cellular industry as you install and test your own state-of-the-art cellular telephone.

Cellular business is big business!

In the few short years since the first commercial cellular telephone system went on-line, over 1,000,000 people have signed up for service in more than 120 cities nationwide. Today, the industry is growing at an incredibly fast 4% a month, and experts predict that by 1991, at least 85% of the United States will be covered for cellular service. Better yet, by 1993 total industry revenues will exceed \$10,000,000,000—making cellular the fastest growing electronics communications field today.

For you, that means extraordinary career and money-making opportunities. Get a fast start today with NRI's hot new course in Cellular Telephone Installation and Servicing. See how far you can go!

## Help wanted! Urgent demand for field technicians who can install and test new cellular telephone equipment!

Get the skills, knowledge, and confidence to install and test cellular telephone equipment, and you can name your price in this exploding new job market. Cellular system developers, retailers, and service providers—all on the ground floor of an industry that's still so young and growing so fast—are all willing to pay a premium for anyone trained to service this brand-new equipment.

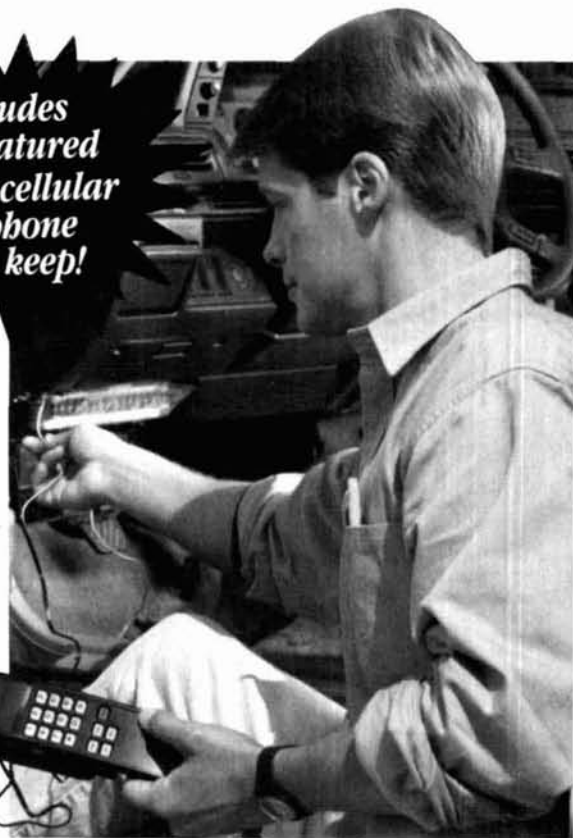
Now, with NRI, you can take full advantage of every exciting opportunity in today's—and tomorrow's—booming field of cellular communications.

## Exclusive hands-on training includes high-performance mobile cellular telephone you keep

Your NRI course starts with the electronics fundamentals you need to understand and service all telephone systems, then walks you step by step through the installation, troubleshooting, and repair of popular telephone systems in use today.

But that's just the beginning. With a solid conventional phone servicing foundation behind you, you're ready to build your expert understanding of the cellular telephone systems moving fast into communities all over the U.S.

Following complete, easy-to-read guidelines, you install a full-featured mobile cellular telephone in your own car, then take it through a series of diagnostic tests to become fully acquainted with its operating functions. Best of all, if you live in an area already offering



**10-digit luminescent display with 24-digit number entry/review**

**Ignition sense automatically turns your phone on and off with car's ignition**

**Electronic lock prevents unauthorized use of your phone**

**22 memories including last number called**

**Super speed dialing and 1 digit recall**

cellular coverage, NRI will help you actually go on-line with up-to-date, expert advice on choosing the best and most affordable cellular service available.

## Send for your FREE catalog today

For all the details about NRI's exclusive new training, send the coupon today. You'll receive a complete catalog describing NRI's Cellular Telephone Installation and Servicing course plus NRI courses in other high-tech, in-demand fields.

If the coupon is missing, write to NRI School of Electronics, McGraw-Hill Continuing Education Center, 4401 Connecticut Avenue, Washington, DC 20008.

## Send Coupon Today For Free Catalog!

### **NRI School of Electronics**

McGraw-Hill Continuing Education Center  
4401 Connecticut Ave., Washington, DC 20008



For career courses approved under GI Bill  
 check for details.

#### CHECK ONE CATALOG ONLY

- |                                                      |                                               |
|------------------------------------------------------|-----------------------------------------------|
| <input type="checkbox"/> Cellular Telephone          | <input type="checkbox"/> Data Communications  |
| <input type="checkbox"/> Computer Electronics        | <input type="checkbox"/> Security Electronics |
| <input type="checkbox"/> TV/Video/Audio Servicing    | <input type="checkbox"/> Robotics             |
| <input type="checkbox"/> Electronic Music Technology | <input type="checkbox"/> Basic Electronics    |

Name \_\_\_\_\_ Age \_\_\_\_\_

Street \_\_\_\_\_

City/State/Zip \_\_\_\_\_

Accredited by the National Home Study Council

20-039

# QSK MODIFICATION FOR THE TRIO-KENWOOD TL-922 AMPLIFIER

By Richard L. Measures, AG6K, 6455 La Cumbre Road, Somis, California 93066

The TL-922, while a beautifully constructed amplifier, is not suited for full break-in operation like AMTOR or QSK-CW. For those who enjoy working SSB/VOX, a QSK modification is worthwhile because it reduces relay noise.

In this article I'll describe one method of converting the TL-922 to QSK. I also have available a companion article on circuit improvements other than QSK for the TL-922. A list of parts suppliers is included.\*

## QSK

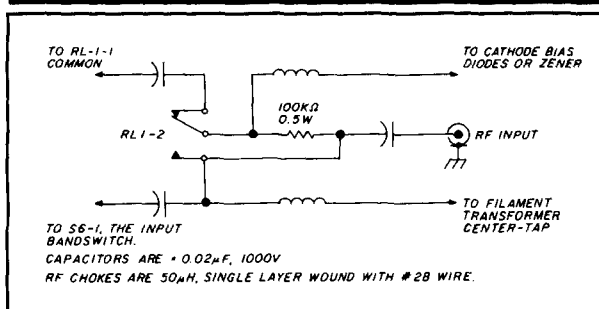
There are two popular methods of RF switching for QSK: PIN switching diodes and high-speed relays. The PIN diodes are quieter and faster, but they're also subject to damage from electrostatic discharges like lightning in the near field of the antenna, and their related circuitry is complex to construct. High-speed relays aren't as fast as PIN diodes, but they can do the job of switching the amplifier from receive (RX) to transmit (TX), or TX to RX, in about 3 mS. This is fast enough for Amateur Radio applications. The high-speed relay's acoustic noise problem can be minimized with an appropriate relay mounting technique.

You can perform TX/RX cathode-bias switching in the TL-922 with an optoisolator driving an NPN power transistor. An alternative method is to use two 50- $\mu$ H RF-isolating chokes and three 20-nF (0.02  $\mu$ F), 1-kV, DC-isolating capacitors on the input relay contacts (see fig. 1). These components allow the input relay contacts to simultaneously switch the RF input and the DC cathode-bias currents. I'll show both methods.

There are two manufacturers of suitable (vacuum) high-speed relays that will handle 2450 watts (7 A in a 50-ohm circuit) up to 32 MHz. They are Kilovac, Inc., Santa

\*The price of the companion article is \$2 delivered to any North American mailing address. For overseas delivery add \$2. A supply of  $\approx$  .1mm oxygen-free copper-foil, for making the RF connections to the vacuum-relays, and the #8-32 self-clinching nut, for the QSK-relay subassembly, is furnished with each article. For a retrofit-kit, to incorporate one of these circuit-improvements see page 124 of the December 1988 issue of *Ham Radio Magazine*.

FIGURE 1



Circuit showing one method of providing QSK operation. This method uses two 50- $\mu$ H isolating chokes and three 0.02- $\mu$ F isolating caps on the input relay.

Barbara, California and Jennings Radio, Inc., San Jose, California. These relays are the Kilovac HC-1 (\$93) and the Jennings RJ-1A (\$95); the two relays are virtually interchangeable. When driven by a 26-volt source, they are rated at  $\leq 6$  mS and  $\leq 8$  mS switching speeds, respectively. The rated speeds tend to be on the conservative side of each relay's measured capability.

Before any relay can actuate, current must flow in the relay's coil. In order for this current to flow, the inevitable inductance in the coil must be overcome. Theoretically, this process can take place in no time at all if a perfect constant current source is used to drive the coil. Unfortunately, this requires a current source that's capable of infinite voltage at  $T = 0$ . Infinite voltage, besides being a large order, is going to cause a big problem for the insulation in the relay's coil and anything else in the same room! It just isn't practical.

When driven by a voltage-limited current source, a relay can be made to switch faster without the risk of coil insulation damage. You can construct a voltage-limited current source by placing 600 ohms in series with the TL-922's internal +110 volt power supply. The 600-ohm (two 300 ohm in series) resistor limits the relay coil cur-

rent to the correct  $\approx 80$  mA at 26 volts for each of the two 335-ohm relay coils in series and allows  $\approx 55$  volts to appear briefly across each relay coil at  $T = 0$ . This speeds up the make time of the relay. Both brands of relays had a measured make time of less than 2 mS with this circuit.

It's possible to control the break (release) time of a DC relay by the amount of external resistance placed in parallel with the relay coil. The external resistor is usually connected in series with a reverse diode so that the resistor doesn't act as a current burden during the on cycle. If the resistor is omitted ( $R \approx \text{inf}$ ), the coil voltage spike may rise to several hundred volts (reverse polarity) on break and the relay's break time will be very fast. The voltage spike is caused by the too-rapid collapse of the magnetic field in the relay coil (like the spark coil in a gasoline engine). The voltage spike isn't good for the insulation in the relay's coil or anything else in the circuit. This is why a reverse-connected diode is often placed in parallel with a DC relay's coil. The diode will also stretch the relay's break time considerably. In a full break-in application, a diode alone would provide too much break time, so a resistor is placed in series with each reverse diode to speed it up. When appropriate resistances are

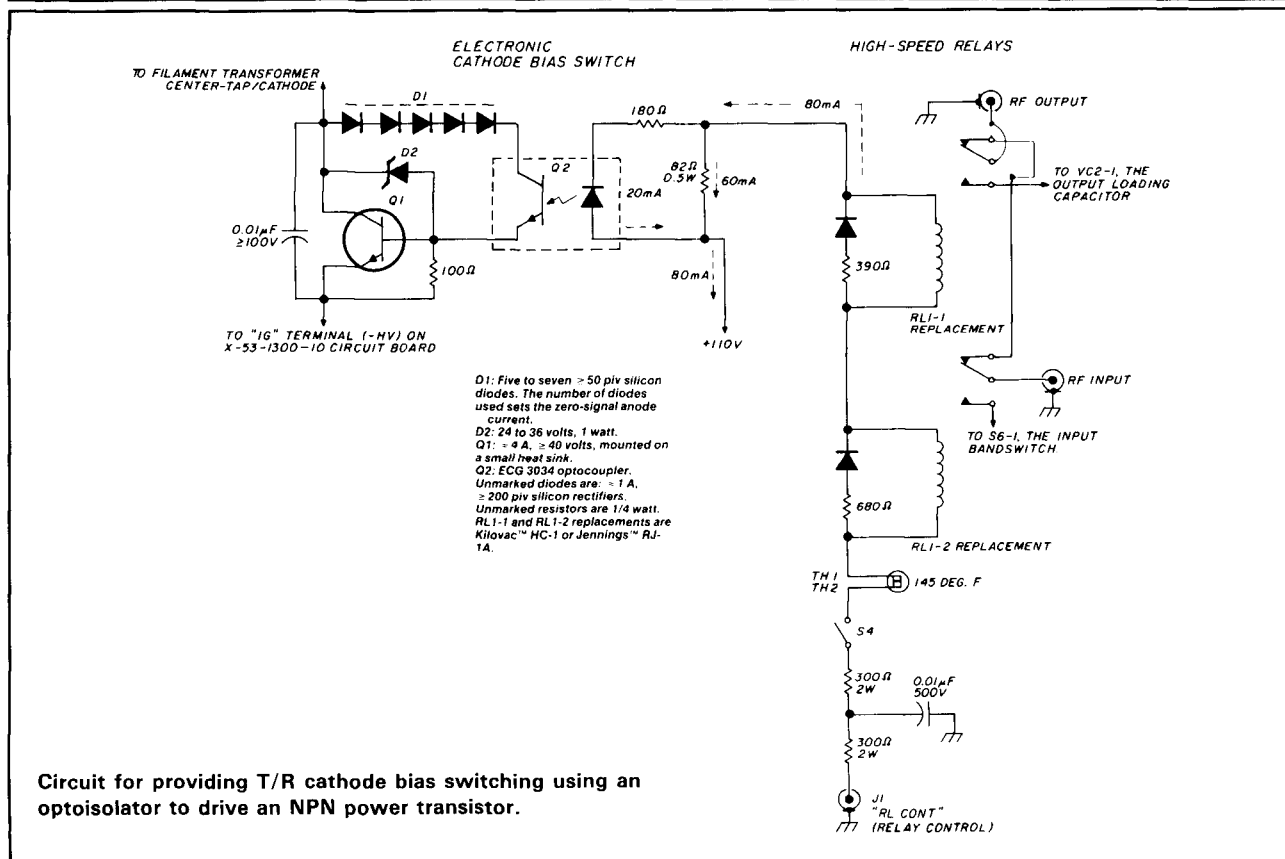
chosen, break times can be controlled accurately for correct break-time sequencing of two or more relays.

In **fig. 2**, the circuit diagram for this QSK circuit, the resistor on the output relay's coil has less resistance than the resistor on the input relay's coil. This keeps the output relay connected to the antenna slightly longer than the input relay can apply drive to the amplifier tubes, and assures that the output relay won't be opening (and arcing its contacts) before all of the drive power is removed.

An electronic cathode-bias switch replaces RL2-1 (the cathode-bias relay), D2 (the cathode-bias zener), R7, and C25. The new cathode-bias switch is an NPN power transistor, shown in **fig. 2**. The new circuit lets you adjust the zero-signal anode (plate) current in steps. The transmit cathode bias is adjustable in  $\approx 0.8$  volt steps. Normal transmit cathode bias is approximately +5 volts. During receive, +24 to +36 volts cuts off the 3-500Z's anode current.

An optocoupler drives the transistor switch. The optocoupler's resistor shunted input is connected in series with the relay control line. When current (80 mA) flows in the relay control line, 20 mA flows through the optocoupler's LED input and the optocoupler turns on.

**FIGURE 2**



---

This activates the switch transistor, which turns on the 3-500Zs.

You can adjust the quiescent, or zero-signal, anode current of the 3-500Zs by shorting or unshorting the series diodes in the collector lead of the optocoupler. The correct SSB quiescent anode current is 160 to 200 mA. Lowering this current makes the tubes harder to drive and increases the IMD products. Too much current makes excessive heat and reduces efficiency.

## Relay mounting and wiring

Mount the vacuum relays side by side on a rectangle of  $\approx 14$  gauge aluminum. Bolt a length of 12 mm  $\times$  12 mm aluminum right-angle stock to the bottom of the rectangle to form a mounting bracket. Press a self-clinching nut into a hole in the angle stock. Fasten the bracket to the top of the chassis with a screw passed through one of the mounting holes for the original relay.

To reduce acoustic noise, mount the relays without using the furnished hardware. To provide side clearance, make the relay mounting holes 2-3 mm larger than the threaded mounting shafts on the relays. Shock mount each relay with three "pillows" of silicone rubber. I prefer the red high-temperature General Electric Company silicone-rubber adhesive sealant.

It's important to have the relays positioned so that no metal-to-metal contact occurs between the relay and the aluminum mounting plate. If contact is made, there will be an acoustic path between the relay and the chassis of the amplifier — very much like the (sound) bridge on a violin — and the chassis will act as a sounding board. To keep the relays in the correct position while the silicone-rubber pillows are curing, cement\* three cardboard rectangular spacers temporarily around each of the mounting holes for the relays.

Silicone rubber adheres well to most materials if the surface is prepared properly. I've found that the best surface-conditioning material is the silicone rubber itself. If the surface is greasy, clean it with a no-residue degreaser like TCE or Freon™ TF. Next, apply a dab of silicone rubber to a small, clean cloth and forcefully rub a thin film of silicone rubber onto all of the surfaces you want to bond together. (This information is not in the directions.) Apply the bonding silicone rubber immediately, before the conditioned surfaces start to cure. Add three dabs of silicone rubber before inserting each relay into a mounting hole. A small amount of silicone rubber will do the job; an excess will enhance the sound conduction to the mounting place. No silicone rubber should touch the cardboard strips because they'll be removed after curing. Now set the assembly aside for 48 to 72 hours of undisturbed curing. After curing, remove the cardboard strips.

---

\* Stationery-store type rubber cement is suitable for this purpose.

Ground the metal bases of the relays electrically to the aluminum mounting plate. Do this by removing some of the paint from the relay bases and soldering a  $\approx 14$  mm long, 3 mm wide, flexible S-shaped strip of  $\approx 0.1$  mm copper foil to each relay and a ground lug to the mounting plate. The relay assembly must permit the relays to move in their holes slightly without touching the metal mounting plate.

## Wiring the relays

The relay's coil terminals can break off easily with a sudden impact or too much stress. The wires that connect to these terminals should be flexible (no. 24 gauge stranded wire is satisfactory). Wire the RF terminals with 0.1-0.2 mm thick copper foil strips, 3 mm in width.

Don't use stiff wires to make a direct connection to the relay's RF terminals as this would provide a sound conduction path away from the relay. If you need to make a connection between an RF terminal and a stiff wire, solder a 3 mm  $\times$  20 mm flexible bridge of copper foil between the wire and the relay terminal. This will reduce sound conduction and stress on the relay.

All of this may sound like a lot of trouble, but the quiet that results is worth the effort.

## Optimizing 10-meter bypass SWR

One frequently overlooked refinement in commercial amplifiers is apparent when the amplifier is switched off (bypassed), connected to a 50-ohm nonreactive load whose SWR = 1:1, and you find that the 10-meter input SWR to the amplifier is much worse than expected. This problem is caused by the inductive reactances in the T/R relays and their associated wiring. These inductive reactances can be canceled by connecting a capacitor (1-kV rating) of the proper value from the common terminal of the output relay to ground. Find the value of this capacitor experimentally by installing a 50-pF variable capacitor temporarily at the point in question. Adjust the capacitor until the 10-meter SWR is at a minimum when the amplifier is off. Do this with an accurate 50-ohm termination connected to the amplifier's output connector. Remove the capacitor and measure its capacitance on a capacity meter. Then permanently install a fixed capacitor of the closest standard value. In my amplifier it turned out to be 36 pF, 1 kV.

## Odds and ends

- After you remove RL2, cover the hole in the chassis to maintain correct cooling air flow. With RL2 removed, the "ON THE AIR" lamp doesn't light on transmit. If this is important to you, it's possible to wire the lamp in series with the relay control line — provided that the value of one of the 300-ohm resistors is lowered to 240 ohms to offset the extra 6-volt drop in the lamp. You can control the lamp current by placing a resistor in parallel with the lamp.

- Prolong the life of the meter lamps either by increasing the resistance of the 10-ohm resistors that are in series with each lamp to 20-24 ohms, or by rewiring the circuits so that one 10-ohm resistor carries the current for each pair of meter lamps.

- If you own a TS-440 or TS-940 you may wish to eliminate the less-than-silent mechanical relay that operates the remote jack's (amplifier) relay control circuit. This relay can be replaced, *for positive voltage relay control switching only*, by an NPN switching transistor and two resistors. A schematic of this circuit is included (see fig. 3). The circuit will work on other makes of transceivers that use a mechanical relay for this job.\*

- You may have noticed that the full break-in circuit doesn't use a bypass capacitor directly across the TL-922's "RL CONT" (relay control) jack. There is a 300-ohm resistor between the bypass capacitor and the jack so that the switching relay or transistor in the transceiver isn't required to directly short out the bypass capacitor (which is charged to +115 volts during receive). A direct short on a charged capacitor can easily create a nanosecond discharge current pulse of more than 100 A. In time, the pulse of current will erode the contacts of the transceiver relay that keys the "RL CONT" circuit. The current pulse can damage a 0.5-A switching transistor in short order. The 300-ohm resistor limits the peak switching current to less than 0.4 A.

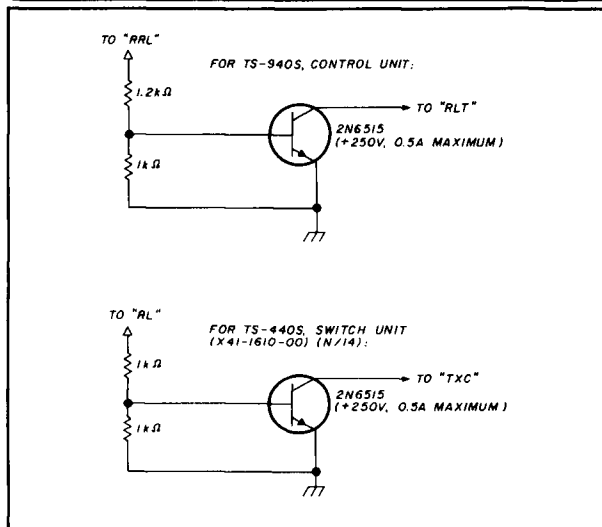
- To tune up the TL-922 (or any grounded-grid amplifier) correctly, without using a two-tone generator and oscilloscope or a tuning pulser<sup>1</sup>, follow these steps: Set the amplifier to the CW position, apply full CW drive power, and adjust the amplifier's tune and load controls alternately for maximum relative power output. The complete tune-up should take less than 10 seconds. The amplifier is now tuned up for CW or SSB operation. The mode switch should be set to SSB for voice use.

## Cost reduction

You can reduce the cost of the QSK conversion by about \$80 if you use a less expensive high-speed relay to switch the 100-watt input circuit of the amplifier. The Trio-Kenwood TS-440S uses a Matsushita Electric Company high-speed, SPDT reed relay (Trio P/N: S51 1429 00) to switch the antenna circuit of the transceiver. This reed relay can handle 100 watts with ease, and the switching speed is probably under 1 mS — about twice

\* Many QSK-transceivers use a slow-acting, conventional relay to key the relay-control circuit from an external amplifier. The conventional relay in the transceiver causes a needless and often excessive time delay in the operation of the QSK relays in the amplifier. In some cases this delay may cause RF drive to be applied to the amplifier *before* the relays in the amplifier have had a chance to close. *The conventional, amplifier-keying relay in the transceiver should be replaced with a switching transistor circuit like the one shown in fig. 3.* This circuit requires a +9 to +12 volt, ≈ 10-mA signal on TX and ≈ 0 volts on RX. This voltage can be obtained from the point where the original ≈ 12 volt relay coil was connected in the transceiver circuit.

FIGURE 3



Solid-state relay switching circuits for use with the Kenwood TS940 and TS440.

as fast as the vacuum output relay. Take one important precaution: be sure that the reed relay doesn't apply drive power to the TL-922 before the output relay can connect the load to the amplifier. It may be necessary to add a make-delay circuit to the faster relay. *This relay is not suitable for switching the cathode bias.* Use it only with the electronic cathode-bias switch circuit. It's important to make sure that the reed relay has the correct 12 volts to operate the coil. The relay control current of 80 mA is far too much current for the reed relay's coil, so you must dump the extra current into a coil shunt resistor of the appropriate calculated value. The 600-ohm resistor in series with the relay control line must be increased by 175 ohms to drop the added 14 volts (as the result of using a 12-volt coil in place of a 26-volt coil).

## Use in other amplifiers

This QSK modification circuit will work in other amplifiers that use a +110 Vdc relay power supply. I added QSK to a Heathkit SB-220 with this circuit. It works as well as the modified TL-922.

## Parts suppliers

Vacuum-Relays: Surcom (Jennings), 619-438-4420. Ask for Lenk.

Kilovac, 805-684-4560. Ask for Gail. Either supplier will ship UPS/COD.

If you have any questions please write, or phone 805-482-3034. Most questions can be answered more accurately and promptly on the telephone than by letter.

## References

1. R. L. Measures, AG6K, "Adjusting SSB Amplifiers," *Ham Radio*, September 1985, page 33.



# NEW BOOKS

## ARRL ANTENNA BOOK

by Jerry Hall, K1TD, NEW 15th Edition

The all new 15th edition of this antenna classic represents over two years of hard work by editor K1TD. It's doubled in size too --from over 300 to over 700 pages big! 950 figures and charts cover just about every subject imaginable. Some of the highlights are: Chapters on Loop antennas, multi-band antennas, low frequency antennas, portable antennas, VHF and UHF systems, coupling the antenna to the transmitter and the antenna, plus p-l-e-n-t-y more. Like the 1988 HANDBOOK and new OPERATING MANUAL, the new ANTENNA BOOK is going to be a smash hit. Order yours today. 15th edition 900+ pages ©1988

AR-AM

Softbound \$17.95

## NOVICE ANTENNA NOTEBOOK

by Doug DeMaw W1FB

Novices have long wondered what is the best all around antenna for them to install. Up until now, this was a difficult question to answer. Aimed at the newly licensed Ham, DeMaw writes for the non-engineer in clear concise language with emphasis on easy-to-build antennas. Readers will learn how antennas operate and what governs performance. Also great reading for all levels of Amateur interest. 1st Edition ©1988.

AR-NAN

Softbound \$7.95

## THE 1989 ARRL HANDBOOK

FOR THE RADIO AMATEUR (Avail. late Oct. 1988)

Revised and updated with the latest in Amateur technology, now is the time to order your very own copy of the world famous ARRL HANDBOOK. In addition to being the definitive reference volume for your Ham shack, there are plenty of projects for every interest in Amateur Radio — from antennas for every application to the latest state-of-the-art projects — you'll find it all in the 1989 HANDBOOK. Order now and we will ship as soon as the books arrive from the printer. They make perfect gifts for the holiday season for your hard-to-buy for Ham friends or for yourself. Over 1100 pages ©1988.

AR-H889

Hardbound \$20.95

## N6RJ's ELECTRONIC SECOND OP for MS-DOS computers

by Jim Rafferty N6RJ

The world famous SECOND OP is now available in a state-of-the-art computerized data base. This program, written for MS-DOS computers, is a must for DX'ers, contesters and all Amateurs interested in reliable DX communication. Data can be displayed either in columnar format or in full screen displays. Unknown callsigns can be entered and compared to the ITU callsign allocation for easy identification. There's plenty more too such as: postal rates, beam headings and QSL bureaus to name just a few. Great program to have in your shack. Order yours today. ©1988 MS-DOS computers. 5¼ and 3½ versions available. Please specify on your order.

CB-RJ (MS-DOS Computers)

\$59.95

## 1989 AMATEUR CALLBOOKS

(Available late November 1988)

### NORTH AMERICAN EDITION

Fully updated and edited to include all the latest FCC and foreign government callsigns and addresses for Hams in North America. Includes plenty of handy operating aids such as time charts, QSL bureau addresses, census information and much more. Calls from Northern Canada to tropical Panama. Now is the time to buy a new Callbook when you'll get the most use out of your investment. ©1988

CB-US89

Softbound \$25.95

### INTERNATIONAL EDITION

QSL's are a very important part of our hobby. All sorts of awards, including the coveted DXCC, require confirmation of contact before the award can be issued. Of special interest, addresses are being added daily for Hams in the USSR and other countries. While in no means complete, it's a start and will be of tremendous help in getting QSLs. Handy operating aids round out this super book value. ©1988

CB-F89

Softbound \$28.95

BUY 'EM BOTH SPECIAL  
Reg. \$54.90 Only \$49.95  
SAVE \$4.95

Please enclose \$3.50 shipping & handling.

**(800) 341-1522**  
(ORDERS ONLY)

# NEW BOOKS

## **PASSPORT TO WORLDWIDE RADIO 1989 Edition**

Brand new and fully revised, SWL's everywhere will want a copy for their library. Expanded to 416 pages, the book now includes a bigger and better buyer's guide, an interview with James Michener, an exciting real life drama of one SWL's escape from Iran plus much more. Also includes all the latest broadcast schedules from countries around the world. You're up-to-date if you have a copy of this new book by your radio. 416 pages 1989 Edition ©1988

☐ IBS-RD189

Softbound \$14.95

## **MASTERING PACKET RADIO: the hands on guide**

by Dave Ingram K4TWJ

Packet radio continues to grow at a rate that boggles the mind. This new book appeals to all levels of packet radio enthusiasts from novices to experts alike. Full of illustrations and written in a simple, easy-to-understand style. Topics covered include: a basic primer, home computers and data communications terminals, a survey of equipment available, how to set up a station plus much more. Great compliment to the other packet books available. 208 pages ©1988 1st edition

☐ 22567

Softbound \$12.95

## **THE ARRL SATELLITE ANTHOLOGY**

Taken from the pages of the "Amateur Satellite News" column in QST. Includes the latest information available on OCSARs 9 through 13 as well as the Russian RS satellites. Full coverage is given to Phase III, OSCAR 10 and 13 satellites. Also includes an unpublished article detailing UoSAT-OSCAR 11 operation. Digital modes, tracking, antennas, RUDAK, microcomputer processing of telemetry plus much more is contained in this valuable new volume. 112 pages ©1988

☐ AR-SA

Softbound \$4.95

## **22nd CENTRAL STATES VHF SOCIETY**

### **CONFERENCE PAPERS**

Papers in this book were submitted for the 1988 Central States VHF Society meeting. Includes: Microwave EME, predicting 144 MHz "Es" openings, matching versus noise figure trade-offs in pre-amps, 902 MHz transverter, power amplifier and antennas, how to measure your own K index plus much more. A must publication for the active VHF'er. ©1988

☐ AR-22CS

Softbound \$11.95

## **GENIUS AT RIVERHEAD a profile of**

**H. H. Beverage**

by Alberta Wallen

Born at the very beginning of the radio age, Harold Beverage is one of radio's pioneers. Most know him from his development of the Beverage or wave type receiving antenna. Learn about the career of this brilliant engineer in this easy-to-read biography. Starting with GE in 1917 and moving to RCA in 1920, Beverage was involved in some of the most exciting aspects of radio. Of particular interest is a reprint of the famous November 1922 QST article describing the wave antenna. Includes 35 photos. 130 pages ©1988

NH-BEV

Hardbound \$15.95

## **THE "GROUNDS" FOR LIGHTNING &**

### **EMP PROTECTION**

by Roger Block, PolyPhaser Corporation

Here's a subject that has never really been fully covered in Amateur literature. This 116 page text contains a comprehensive analysis of proper grounding and protection against lightning and other EMP disasters. Includes information for all kinds of electronic gear: radios, telephones, computers, Ethernet, CATV, TVRO, and security systems to name just a few. Of special interest to Hams are chapters on low inductance grounds and connections, guy anchor grounding, and how to ground inside the shack. Every Ham should have a copy. 1st edition 116 pages

©1987

PP-GLEP

Softbound \$19.95

**Please enclose \$3.50 shipping & handling.**

**HAM  
RADIO**



(603) 878-1441

GREENVILLE, N.H. 03048

**(800) 341-1522**

(ORDERS ONLY)

VIA

**DATATEL 800™**



## "You're miles ahead with Larsen."

*Rick Woodsome, Communications Consultant  
Woodsome and Associates, Boulder, Colorado*

When the directors of the Coors International Bicycle Classic needed a sophisticated mobile communications system, they turned to communications consultant Rick Woodsome. As a communications specialist, Woodsome knows what it takes to make a communication system work.

That's why he turned to Larsen Antennas.

"You don't pull off the largest sports event in the Western Hemisphere without good communication. And you don't have good communication without the right equipment.

"Larsen antennas were instrumental in making last summer's Coors Classic an overwhelming success. They were key to our entire communication network.

"Without Larsen, it would have been uphill all the way."

*Rick Woodsome*

### THE AMATEUR'S PROFESSIONAL.

Larsen Kùlrod® and Kùlduckie® antennas provide amateurs the same advantages enjoyed by commercial two way radio users. Both combine top performance with the long range dependability you want.

See your dealer for the complete line of Larsen antennas and permanent and temporary mounts. You can buy with confidence, because they're all backed by Larsen's No Nonsense Warranty for a full six months.

For a professional approach to amateur radio, tune in to Larsen.



# Larsen Antennas

The Amateur's Professional™

See your favorite amateur dealer or write for a free amateur catalog.

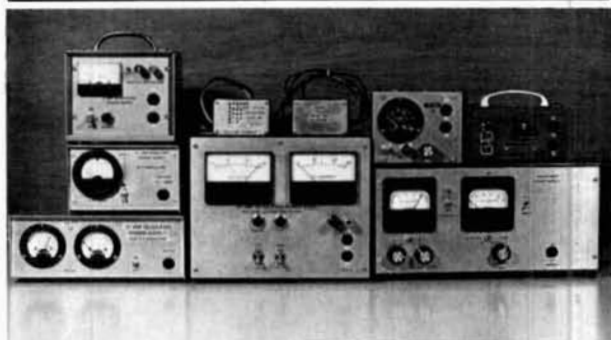
IN USA: Larsen Electronics, Inc., 11611 N.E. 50th Avenue, P.O. Box 1799, Vancouver, Washington 98668 (206) 573-2722.

IN CANADA: Canadian Larsen Electronics, Ltd., 149 West 6th Avenue, Vancouver, B.C. V5Y 1K3 (604) 872-8517.

# UNDERSTANDING AND USING 723 VOLTAGE REGULATORS

## Simple circuits for chargers through test bench use

PHOTO A



All units use the 723 voltage regulator. Left—13.8 volt power supplies. Center—On top of the 28 A 13.8 volt power supply are two quick/trickle chargers. Right—On the bottom is a bench power supply. Above, battery charger (black meter) and to its right a 1.6 A 13.8 volt power supply.

I have read many articles on voltage regulation and power supplies and always learn something new from each one. I built my first-regulated, current limited power supply over 10 years ago. Since that time I have built quite an assortment of low-voltage dc power supplies. **Photo A** shows a few of them. In fact, not everything in the photo is a "power supply" — I'll explain that later.

Everything in **photo A** has one thing in common, the "723" voltage regulator (LM723CN,  $\mu$ a723CN, or equivalent number). It's adjustable from 2 to 37 volts, and has foldback current limiting. These features make it extremely versatile. This is basically an article on applications, but you'll still need an understanding of the circuit used with the 723 regulator (**fig. 1**).

### basic components

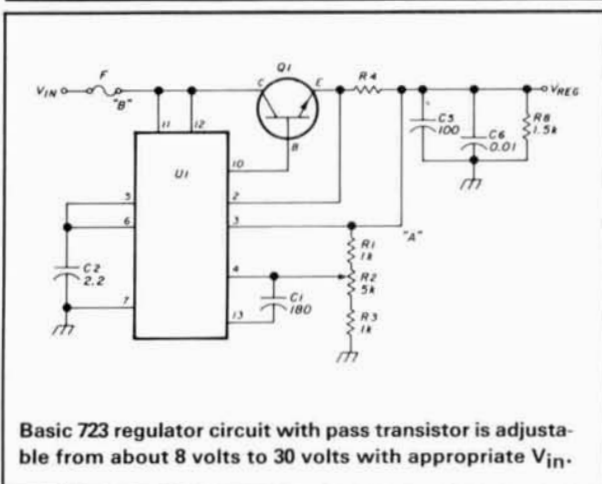
The projects focus on three items: R2, the voltage adjustment; R4, the current limit resistor; and Q1, the pass transistor. By varying these three things you can construct some interesting and useful equipment.

R2 is used to vary the voltage (**fig. 1**) from about 7 to 37 volts, less if  $V_{in}$  is less than 40 volts. (A different circuit for the 723 is required for voltages from 2 to 7 volts and will not be discussed here.)

R4 is a current limit resistor. The 723 regulator limits the flow of current through Q1 when it senses a voltage drop (on pins 2 and 3 of U1) of approximately 0.65 volts across R4. If R4 is 1 ohm, the current limit is 650 mA; 10 ohms for R4 gives a 65-mA current limit and 0.1 ohm gives a 6.5-A current limit.

Pass transistor, Q1 in **fig. 1**, handles the desired current load. Most sources rate the 723 regulator at 150 mA but I've seen it rated at 50 mA. Although the 723 regulator is protected by thermal shutdown, I've found that it can only stand a couple of shutdowns before failure. Because most of the uses for the 723 regulator require more than 150 mA, the pass transistor or multiple-pass transistors are used to handle the desired maximum current. My experience shows that the 723 regulator likes loads well under 50 mA.

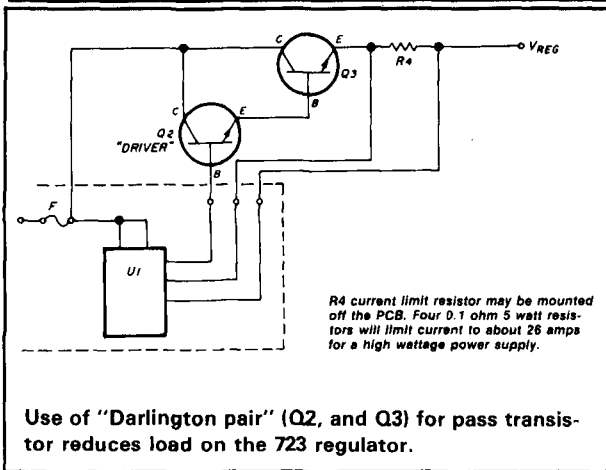
FIGURE 1



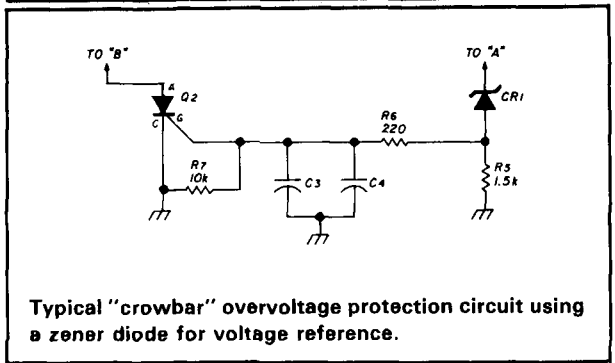
The 2N3055 in a TO-3 case is a good choice for the pass transistor. It is an inexpensive power transistor rated at 15-A and 115-watts dissipation. I never push the 15-A rating but would rather use several pass tran-

By W.C. Cloninger, Jr., K3OF, 4409 Buckthorn Court, Rockville, Maryland 20853

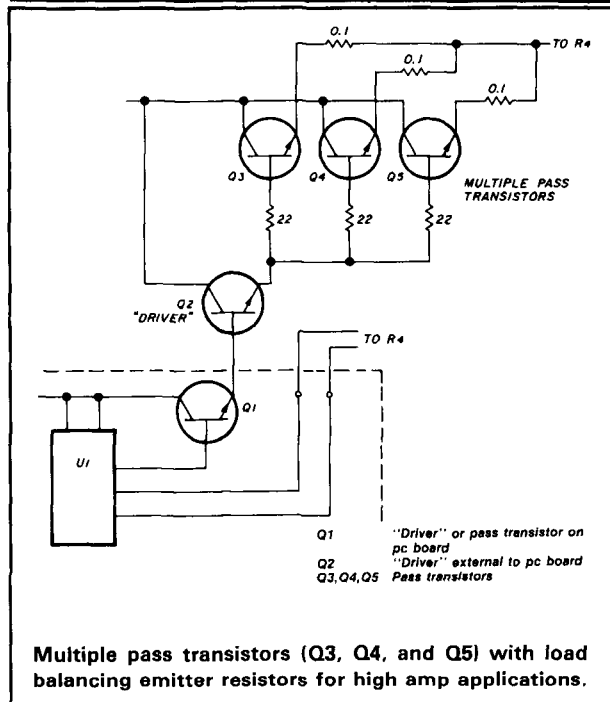
**FIGURE 2**



**FIGURE 4**



**FIGURE 3**



**parts list**

- C1 100 to 500 pF
  - C2 2.2  $\mu$ F tantalum
  - C3,C4 0.05 to 10  $\mu$ F
  - C5 100  $\mu$ F
  - C6 0.01  $\mu$ F
  - CR1 15 v 1 watt zener diode
  - Q1 2N3055
  - Q2 SCR to suit current wax
  - R1,R3,R5 1k ohms
  - R2 5k potentiometer
  - R6 220 ohms
  - R7 10k ohms
  - R8 1.5k ohms 1 watt
  - U1 LM723CN regulator
  - R4 Current limit resistor 0.1 ohm 5 watt wire wound for 6.5 A limit; 10 ohms for 65 mA limit.
- C3 and C4 are only used if needed to eliminate triggering of SCR by transients, use minimum value possible.

sistors in parallel and let each one handle about 5 or 6 A. You must also consider power dissipation, and adequate heat sinking is required. A single 2N3055 for Q1 requires about 17-mA drive for a 0.5-A output and about 100-mA drive for a 2-A load on Q1. As you can see, the 723 regulator's output capacity can be quickly exceeded just to drive a single-pass transistor.

**safely loading the regulator**

A good way to handle the required drive to the pass transistor without overloading the 723 regulator is to use a "Darlington pair". Figure 2 shows Q2 and Q3 in a Darlington configuration. Q2 is the driver for Q3. I didn't show a Q1 in this diagram because I want you to think of Q1 as being mounted on the voltage regu-

lator circuit board. With the high gain of the Darlington pair, the drive to Q2 from the 723 regulator is only 0.7 mA for a 2-A load and 1.5 mA for a 3-A load. The 723 regulator is now barely loading.

Now let's look at a "super duty" current, maybe 30 A. Figure 3 shows a circuit with two drivers and three or more pass transistors (Q3, Q4, and Q5). The 0.1-ohm 5-watt emitter resistors are important because they make the multiple pass transistors share the load. The 22-ohm resistor attached to the base of each pass transistor also helps equalize load, but these resistors are not absolutely necessary.

Another important design feature is the overvoltage protection or "crowbar". A crowbar is typically a circuit which detects voltage exceeding a fixed value and fires an SCR to short circuit the input supply to the regulator circuit and blow a fuse. The term crowbar probably comes from the use of brute force to blow

★QUALITY PARTS ★DISCOUNT PRICES ★FAST SHIPPING

# ALL ELECTRONICS CORP.

## 10 AMP SOLID STATE RELAYS

ELECTROL# S2181

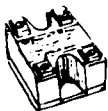
CONTROL:

Rated 5.5 to 10 Vdc  
(will operate on 3-32 Vdc).  
LOAD: 10 amp @ 240 Vac  
2 1/4" X 1 3/4" X 7/8"

CAT# SSRLY-10B \$9.50 each

QUANTITY DISCOUNT

10 for \$85.00 • 25 for \$175.00  
50 for \$300.00 • 100 for \$500.00



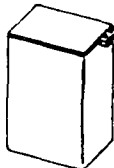
## 6 VOLT D.C. 9.5 AMP/HOUR GEL-CELL

Elpower# 695  
6 volt, 9.5 amp/hour  
rechargeable  
gel-cell battery.

4.25" X 2.75" X 5.5".

Quick connect terminals.

CAT# GC-695  
\$15.00 each

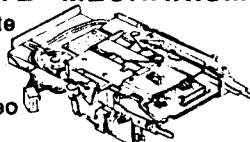


## CASSETTE MECHANISM

Alpine cassette transport mechanism. Includes stereo tape head,

Mitsubishi # MET-3RF2B 13.2 Vdc motor, belt, pulleys, capstan, fast-forward, rewind and eject actuator. Does not include amplifier section.

6 1/2" X 5 1/4" X 1 3/4".  
CAT# CMEC-5 \$7.50 each  
10 for \$65.00



## PIEZO WARNING DEVICE



Murata Erie # PKB8-4A0  
High pitched audible alarm. Operates on 3 - 20 Vdc @ 20 ma. 1" high x 7/8" dia. P.C. board mount.  
CAT# PBZ-84 \$1.75 each

## WIDE BAND AMPLIFIER

NEC# UPC1651G. 1200 Mhz @ 3 db.  
Gain: 19db @ 1-500 hz. 5 volt operation.  
Small package 4mm dia. X 2.5 mm thick.  
CAT# UPC-1651 2 for \$1.00  
10 for \$4.50 • 100 for \$35.00

## N-CHANNEL MOSFET

IRF-511 TO-220 case  
CAT# IRF 511

\$1.00 each • 10 for \$9.00  
LARGE QUANTITY AVAILABLE



## WALL TRANSFORMERS



ALL PLUG DIRECTLY INTO 120 VAC OUTLET

6 Vdc @ 200 ma. CAT# DCTX-820 \$2.25  
6 Vdc @ 750 ma. CAT# DCTX-875 \$3.50  
9 Vdc @ 250 ma. CAT# DCTX-925 \$2.50  
12 Vdc @ 930 ma. CAT# ACTX-1293 \$3.50  
18 Vdc @ 1 amp. CAT# ACTX-1885 \$3.50

## LED'S

STANDARD JUMBO DIFFUSED T 1-3/4 size  
RED CAT# LED-1  
10 for \$1.50 • 100 for \$13.00  
GREEN CAT# LED-2  
10 for \$2.00 • 100 for \$17.00  
YELLOW CAT# LED-3  
10 for \$2.00 • 100 for \$17.00



## FLASHING LED

with built in flashing circuit operates on 5 volts...

RED \$1.00 each  
CAT# LED-4 10 for \$9.50  
GREEN \$1.00 each  
CAT# LED-4G 10 for \$9.50

## BI-POLAR LED

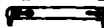
Lights RED one direction, GREEN the other. Two leads.  
CAT# LED-6 2 for \$1.70

## LED HOLDER

Two piece holder.  
CAT# HLED 10 for 65¢



## XENON TUBE



1" long flashtube with 3 1/2" red and black leads. Ideal for electronic flash or strobe projects.  
CAT# FLT-3 2 for \$1.00

## NICKEL-CAD BATTERIES (RECHARGEABLE)

SPECIAL!! AAA SIZE  
Panasonic# P-18AAA  
1.2 volt @ 180 MAh  
CAT# NCB-AAAX \$1.50 each  
10 for \$13.50 • 100 for \$125.00



AA SIZE \$2.00 each  
1.25 volts 500 mA  
CAT# NCB-AA

AA SIZE \$2.20 each  
WITH SOLDER TABS  
CAT# NCB-SAA

C SIZE \$4.25 EACH  
1.2 volts 1200 mA  
CAT# NCB-C

D SIZE \$4.50 each  
1.2 volts 1200 mA  
CAT# NCB-D

## STROBE KIT



Variable rate strobe kit, flashes between 60 to 120 times per minute. Will operate on either 8 or 12 Vdc depending upon how you wire the circuit. Comes complete with P.C. board and instructions for easy assembly.  
CAT# STROBE-1 \$7.50 each

## TELEPHONE COUPLING TRANSFORMER

Multi Products International# A19N-HO-1D/1  
Primary 600 ohm  
Secondary: 800/600 ohm  
.77" X .61" X .63" high.  
6 p.c. pins on .187" centers.  
Primary inductance:  
300 mH min., at 1kHz, 1 volt.  
CAT# TCTX-1 \$1.25 each  
10 for \$11.00 • 100 for \$95.00



## OPTO SENSOR

U shaped package with mounting ears. 1/8" opening. 3/4" mounting holes. CAT# OSU-6 50¢ each  
10 for \$4.50 • 100 for \$40.00



## SWITCHES

### ITT PUSH BUTTON

ITT MDPL series. 3/4" X 1/2" gray rectangular key cap. S.P.S.T. N.O.  
Push to close. RATED: 0.1 amp switching, 0.25 amp carry current. P.C. mount. CAT# PB-8 65¢ each • 10 for \$6.00 • 100 for \$50.00



### 10 POSITION MINI-ROTARY

Grayhill# 56P36-01-1-10N-C  
Mini rotary switch. Non-shorting. 1 deck, 10 positions. .125" dia. shaft X .375" long. .377" behind the panel depth. P.C. pins.  
CAT# MRS-10 ~~was \$2.60~~ NOW \$1.50 each



### SPDT PUSHBUTTON

Marquard# 1843  
Rated 6 amps @ 125/250 Vac.  
Black plastic pushbutton.  
Switch body: .92" X .94" X .65".  
CAT# PB-18 \$1.65 each • 10 for \$1.50 each

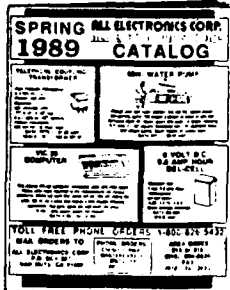


### S.P.S.T. (ON-OFF)

All plastic body. Standard size toggle. 7/16" threaded mounting bushing. Copper contacts.  
Rated: 10 amp @ 125 Vac.  
CAT# STS-1 \$1.00 each  
10 for \$8.50 • 100 for \$75.00



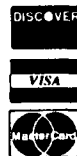
CALL OR WRITE FOR OUR FREE CATALOG OVER 4000 PARTS!



MAIL ORDERS TO:  
ALL ELECTRONICS  
P.O. BOX 567  
VAN NUYS, CA 91408  
TWX-5101010163 (ALL ELECTRONIC)

OUTSIDE THE U.S.A.  
SEND \$2.00 POSTAGE  
FOR A CATALOG!!

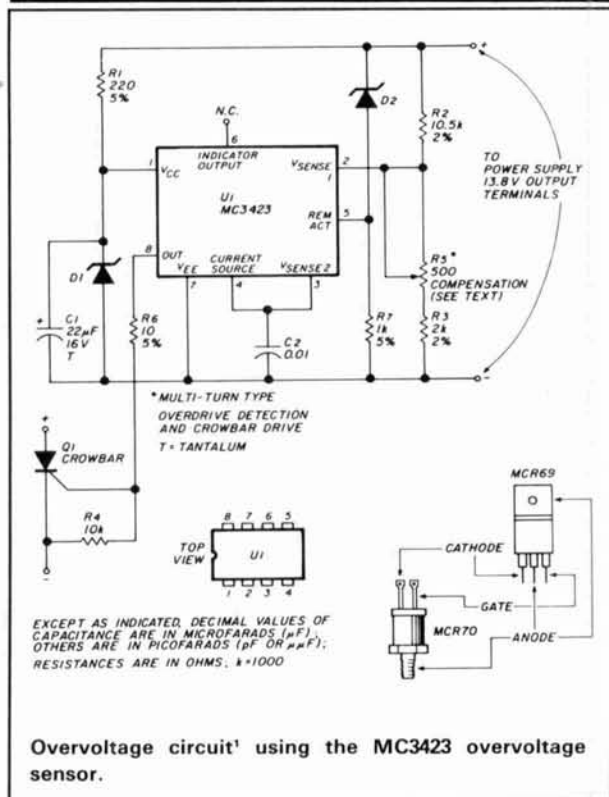
ORDER TOLL FREE  
800-826-5432  
INFO: (818)904-0524  
FAX: (818)781-2653  
MINIMUM ORDER \$10.00  
QUANTITIES LIMITED  
CALIF. ADD SALES TAX  
USA: \$3.00 SHIPPING  
FOREIGN ORDERS  
INCLUDE SUFFICIENT  
SHIPPING. NO C.O.D.



the fuse and stop the overvoltage condition. Don't try to blow a 35-A fuse with a 6-A SCR!

A common crowbar circuit is shown in **fig. 4**. Capacitors C3 and C4 help prevent false triggering of the SCR by transients and spikes. But it's really not false triggering at all; the crowbar is doing exactly what it is supposed to do. If you connect an oscilloscope to the output of your power supply and turn the power switch off and on a few times, I think you may be surprised at the spikes. These spikes are a real nuisance and can be very difficult to suppress.

**FIGURE 5**



Overvoltage circuit<sup>1</sup> using the MC3423 overvoltage sensor.

**PHOTO B**



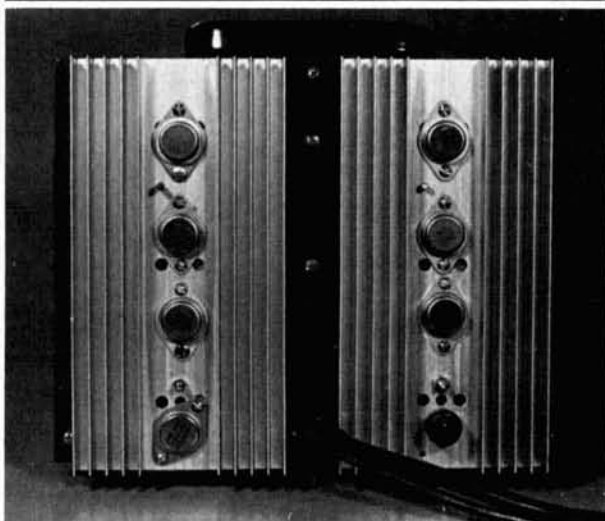
28-A power supply. Note switch for 2-speed fan.

An excellent article on overvoltage protection using an MC3423 overvoltage sensor specifically designed to fire a crowbar was written by VK5IK.<sup>1</sup> The MC3423 circuit is shown in **fig. 5**.

**Photo A** shows two mini-boxes on top of the 28-A power supply. These are battery chargers for an HT. The box with the black-faced meter is a NiCd battery charger with two outputs — one with adjustable current and one with fixed output. The bench supply on the lower right has both adjustable voltage and current capability.

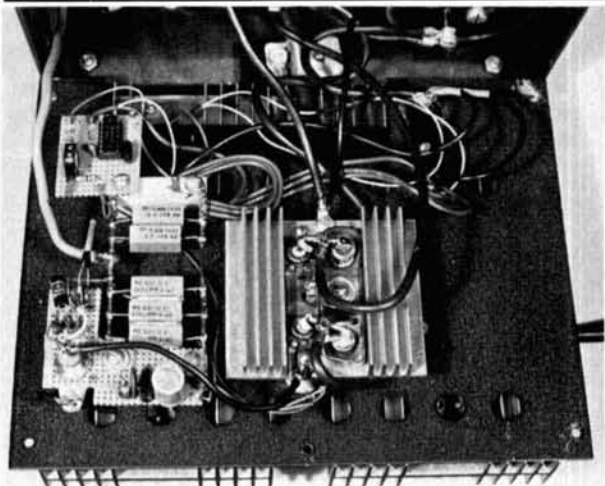
Let's take a closer look at how the 723 voltage regulator is used in some of this equipment. The high ampere power supply in **photos B, C, and D** was used

**PHOTO C**



Back of 28-A power supply. The "driver" is the transistor at the lower left. At the lower right is a 35-A fuse holder. The other six transistors are 2N3055 pass transistors.

**PHOTO D**



28-A power supply wiring. Voltage regulator board is at upper left. The crowbar is on the separate board at the lower left. Note the five 0.1 ohm 5 watt current limit resistors soldered to the two buss wires.

for several years with my TR7A and several Atlas transceivers. You can keep a two-speed fan on low for any current under 10 A continuous and all SSB operation. The heat-sinked full-wave bridge at the lower right of **photo D** comes from diodes "liberated" from the horseshoe rectifier assembly of a 65-A automotive alternator. These rectifier assemblies contain six diodes and usually only one fails.

My latest power supply is shown in **photo E**. The meters were hamfest specials, both 0-1 mA with shunt or series resistors as needed. This is the first time I have made and used a pc board. I "married" the VK5IK overvoltage circuit to my 723 circuit. To reduce unwanted triggering of the SCR, I found it necessary to increase C2 of the VK5IK circuit to 0.047  $\mu$ F.

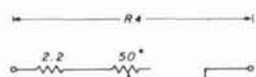
**PHOTO E**



12 A power supply with "matched" meters for 0-20v and 0-10 A.

The two-output battery charger in **photo A** (box with black meter) uses two separate 723 circuits from the same dc input source. The fixed output is limited by R4 to 15 mA to trickle charge AA NiCds. The voltage is set to perhaps 24 volts, plenty for a dozen or more AA cells at a time. Because the current limit is fixed, it doesn't matter whether one or a dozen AA cells are on trickle charge; no adjustment is necessary. I did place an LED in this output to show when current is flowing — this eliminates the need for a meter.

**FIGURE 6**

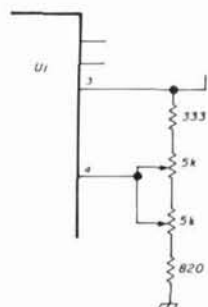


\* SOD WIRE WOUND 5 WATTS  
MALLORY VW50

Current limit resistor schematic for adjustable current limit of about 10 mA to 1 A.

The second output is current adjustable from about 12 mA to 300 mA by the use of a fixed resistor in series with a potentiometer (**fig. 6**). Again the voltage is set high enough to charge a large number of cells at one time. The charge rate remains constant until you change the adjustment.

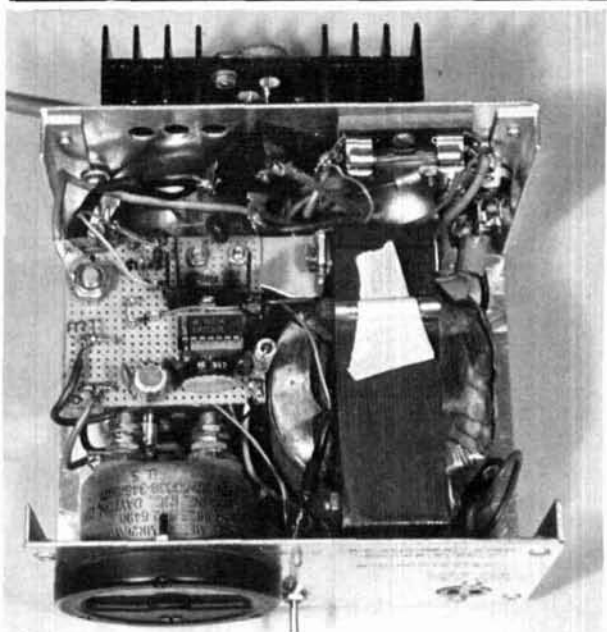
**FIGURE 7**



Two potentiometers provided little benefit to reduce minimum voltage since the lower voltage limit is 7 volts with the 723 circuit used.

The 0 to 1-A bench supply shown at the lower right in **photo A** is another variation of the battery charger described above, with R2 mounted on the front panel for convenient voltage adjustment. (Well, that's almost how I did it!) I found that the minimum voltage adjustment using the 5k pot with the 1k resistors (R1 and R3) was just under 8 volts. I tried to get the lowest possible voltage and changed R1, R2, and R3 as shown in **fig. 7**. The change didn't do everything I wanted (remember the circuit used for the 723 has a lower limit of 7 volts), but because I had already added the second potentiometer to the panel I didn't change it. Replacing the 2.2-ohm resistor in **fig. 6** with a 0.65-ohm 1-watt resistor (actually a couple of resistors in

**PHOTO F**



Battery charger for HT uses voltage doubler on left half with 723 circuit on right half.

(continued on page 51)



# Yaesu's mini HTs. The smallest, smartest, toughest radios. Anywhere.

Whether you're a Novice or Extra class operator, you're sure to appreciate the high power, durability and size of Yaesu's FT-23R Series mini-HTs.

To begin with, you'll find a model that's right on your wavelength. The 2-meter FT-23R. The 220-MHz FT-33R. Or the 440-MHz FT-73R.

Whichever you choose, you benefit from incredibly small packaging. (Take a look at the actual size photo.) Aluminum-alloy cases that prove themselves reliable in a one-meter drop test onto solid concrete. And moisture-resistant seals that really help keep the rain out.

But perhaps best of all, each radio blends sophisticated, micro-processor-controlled performance with surprisingly simple operation. In fact, it takes only minutes to master all these features:

Ten memories that store frequency, offset and PL tone. Memory scan at 2 frequencies per second. Tx offset storage. Priority channel scan. Channel selection via tuning knob or up/down buttons. PL tone board (optional). PL display. Independent PL memory per channel. PL encode and decode. LCD power output and "S" meter display. Battery-saver circuit. Push-button squelch override. Eight-key control pad. Keypad lock. High/low power switch.

The FT-23R comes with a 7.2-volt, 2.5-watt battery pack. The FT-73R with a 7.2-volt, 2-watt pack. And the FT-33R with a powerful 12-volt, 5-watt pack.



You can choose the miniature 7.2-volt, 2-watt pack shown in the photo below. And all battery packs are interchangeable, too.

And consider these options: Dry cell battery case for 6 AAA-size cells. Dry cell battery case for 6 AA-size cells. DC car adapter/charger. Programmable CTCSS (PL tone) encoder/decoder. DTMF keypad encoder. Mobile hanger bracket. External speaker/microphone. And more.

Check out the FT-23R Series at your Yaesu dealer today. Because although we can tell you about their incredible performance, toughness and small size, seeing is really believing.



# YAESU

Yaesu USA 17210 Edwards Road, Cerritos, CA 90701 (213) 404-2700. Repair Service: (213) 404-4884. Parts: (213) 404-4847.

Prices and specifications subject to change without notice. PL is a registered trademark of Motorola, Inc. FT-33R shown with optional FNB-9 battery pack.

# DAYTON Hamvention®

April 28, 29, 30, 1989

## Early Reservation Information

• General Chairman, Bill McNabb, WD8SAY

• Asst. General Chairman, Ed Hillman, N8ALN

- Giant 3 day flea market • Exhibits
- License exams • Free bus service
- CW proficiency test • Door prizes

### 1989 Deadlines

*Award Nominations:* March 15  
*Lodging:* April 7  
*License Exams:* March 26  
*Advance Registration and banquet:*  
 USA - April 4 Canada - March 31  
*Flea Market Space:*

Flea market tickets and grand banquet tickets are limited. Place your reservations early, please.

### Flea Market Tickets

A maximum of 3 spaces per person (non-transferable). Tickets (valid all 3 days) will be sold IN ADVANCE ONLY. No spaces sold at gate. Vendors MUST order registration ticket when ordering flea market spaces.

Spaces will be allocated by the Hamvention committee from all orders recieved prior to February 1. Express Mail NOT be necessary! Notification of space assignment will be mailed by March 15, 1989.

### Special Awards

Nominations are requested for 'Radio Amateur of the Year,' 'Special Achievement' and 'Technical Achievement' awards. Contact: Hamvention Awards Chairman, Box 964, Dayton, OH 45401.

### Information

General Information: (513) 433-7720  
 or, Box 2205, Dayton, OH 45401  
 Lodging Information: (513) 223-2612  
 (No Reservations By Phone)

### License Exams

Novice thru Extra exams scheduled Saturday and Sunday by appointment only. Send FCC form 610 (Aug. 1985 or later) - with requested elements shown at top of form, copy of present license and check for prevailing ARRL rates (payable to ARRL/VEC) to: Exam Registration, 8830 Windbluff Point, Dayton, OH 45458

### Lodging

Please write to **Lodging, Dayton Hamvention, Chamber Plaza, 5th & Main Streets, Dayton, OH 45402** or refer to our 1988 Hamvention program for lodging information which includes a listing of hotel/motels located in the surrounding areas of Dayton. Reservations for the surrounding area will then become the responsibility of the individual.

HAMVENTION is sponsored by the Dayton Amateur Radio Association Inc.

### Advance Registration Form

Dayton Hamvention 1989  
 Reservation Deadline - USA-April 4, Canada-March 31  
 Flea Market Reservation Deadline: February 1

Enclose check or money order for amount indicated and send a self addressed stamped envelope.

Please Type or Print your Name and Address clearly.

#### How Many

Admission	_____	@ \$10.00*	\$ _____
(valid all 3 days)			
Grand Banquet	_____	@ \$20.00**	\$ _____
Women's Luncheon			
(Saturday)	_____	@ \$7.00	\$ _____
(Sunday)	_____	@ \$7.00	\$ _____
Flea Market	_____	\$25/1 space	
(Max. 3 spaces)		\$50/2 adjacent	
Admission ticket must		\$150/3 adjacent	\$ _____
be ordered with flea market tickets		<b>Total</b>	\$ _____

\* \$12.00 at door      \*\* \$22.00 at door, if available

Name \_\_\_\_\_  
 Address \_\_\_\_\_  
 City \_\_\_\_\_ State \_\_\_\_\_ Zip \_\_\_\_\_

Make checks payable to - **Dayton HAMVENTION**  
 Mail to - **Dayton Hamvention  
 Box 2205  
 Dayton, OH 45401**

# Wide Dynamic Range and Low Distortion – The Key to Superior HF Data Communications

- Dynamic Range > 75 dB
- 400 to 4000 Hz
- BW Matched to Baud Rate
- BER <  $1 \times 10^{-5}$  for S/N = 0 dB
- 10 to 1200 Baud
- Linear Phase Filters



## ST-8000 HF Modem

**Real HF radio teleprinter signals exhibit heavy fading and distortion, requirements that cannot be measured by standard constant amplitude BER and distortion test procedures.** In designing the ST-8000, HAL has gone the extra step beyond traditional test and design. Our noise floor is at -65 dBm, not at -30 dBm as on other units, an extra 35 dB gain margin to handle fading. Filters in the ST-8000 are all of linear-phase design to give minimum pulse

distortion, not sharp-skirted filters with high phase distortion. All signal processing is done at the input tone frequency; heterodyning is NOT used. This avoids distortion due to frequency conversion or introduced by abnormally high or low filter Q's. Bandwidths of the input, Mark/Space channels, and post-detection filters are all computed and set for the baud rate you select, from 10 to 1200 baud. Other standard features of the ST-8000 include:

- 8 Programmable Memories
- Set frequencies in 1 Hz steps
- Adjustable Print Squelch
- Phase-continuous TX Tones
- Split or Transceive TX/RX
- CRT Tuning Indicator
- RS-232C, MIL-188C, or TTL Data
- 8, 600, or 10K Audio Input
- Signal Regeneration
- Variable Threshold Diversity
- RS-232 Remote Control I/O
- 100-130/200-250 VAC, 44-440 Hz
- AM or FM Signal Processing
- 32 steps of M/S filter BW
- Mark or Space-Only Detection
- Digital Multipath Correction
- FDX or HDX with Echo
- Spectra-Tune and X-Y Display
- Transmitter PTT Relay
- 8 or 600 Ohm Audio Output
- Code and Speed Conversion
- Signal Amplitude Squelch
- Receive Clock Recovery
- 3.5" High Rack Mounting

**Write or call for complete ST-8000 specifications.**



### HAL Communications Corp.

Government Products Division  
Post Office Box 365  
Urbana, Illinois 61801  
(217) 367-7373 TWX 910-245-0784

here is the next generation Repeater  
2 meters - 220 - 440

## MARK 4CR

No other repeaters or controllers match Mark 4 in capability and features. That's why Mark 4 is the performance leader at amateur and commercial repeater sites around the world. Only Mark 4 gives you Message Master™ real speech • voice readout of received signal strength, deviation, and frequency error • 4-channel receiver voting • clock time announcements and function control • 7-helical filter receiver • extensive phone patch functions. Unlike others, Mark 4 even includes power supply and a handsome cabinet.

Call or write for specifications on the repeater, controller, and receiver winners.

The **only** repeaters and controllers with REAL SPEECH!

Create messages just by talking. Speak any phrases or words in any languages or dialect and *your own voice* is stored instantly in solid-state memory. Perfect for emergency warnings, club news bulletins, and DX alerts. Create unique ID and tail messages, and the ultimate in a real speech user mailbox — only with a Mark 4.



### MICRO CONTROL SPECIALTIES

Division of Kendecom Inc.

23 Elm Park, Groveland, MA 01834 (508) 372-3442

TELEX 4932256 Kendecom

FAX 508-373-7304

✓ 144

## SUPER PERFORMANCE BATTERIES

### SUPER ICOM

**SUPER ICOM BP-7S**, 13.2 volts, 900ma, double the capacity of the Icom BP-7, 5w output.

**SUPER ICOM BP-8S**, 9.6 volts, 1200ma, 50% more capacity than the Icom BP-8.

Both are rapid base charge only, or slide in wall charger, 4 inches high. BP-7S or BP-8S, \$69.00.

### SUPER KENWOOD

**SUPER KENWOOD PB-25S/PB-26S**, 8.4 volts, 900 ma, double the capacity of the PB-25/PB-26 for the 2500/2600/3500/3600. Charge with either the standard wall charger or drop in charger. 3 inches high. \$65.00.

Add \$4.00 shipping & handling for first pack. CT residents add 7 1/2% tax.

Complete line of NICAD packs for Icom, Kenwood, Yaesu, Tempo, Santec, Azden, Cordless Telephones, Alkaline, Nicad, and Gell-Cells. All NICAD packs include a 1 year guarantee. Commercial Radio Packs also available.

For all your battery needs, write or call today for a complete catalog. Dealer inquiries invited.

Made by Hams for Hams



Exact replacement FNB-2 Nicad pack for Yaesu FT-404R/207R/208R/708R \$27.00

### SUPER YAESU

**SUPER YAESU FNB-4SH**, 12 volts, 1000ma, double the capacity of the Yaesu FNB-4, 5 watt output. Rapid charge only. \$71.00

**SUPER YAESU FNB-3S**, 9.6 volts, 1200ma, triple the capacity of the Yaesu FNB-3, 3.5 watt output. Rapid or wall charge. \$60.00

Both are perfect for the O3, O9 and 727 series radios and are 4 inches high.

Inserts for:

**Kenwood PB-25, 25H, 26** \$29.00

**Icom BP-3** \$22.00

**Icom BP-5 (500ma)** \$30.00

**Icom BP-7 (500ma)** \$35.00

**Icom BP-8** \$34.00

**PERIPHERIX Inc.**

149 Palmer Road • Southbury, CT 06488

(800) 634-8132 In CT (203) 264-3985



✓ 180

### 1989 U.S. CALL DIRECTORY

(on microfiche)

Call Directory - by callsign .....\$8

Name Index - by last name .....\$8

Geographic Index - by state/city .....\$8

All three - \$20

\$3 shipping per order

**BUCKMASTER PUBLISHING**

Route 3, Box 56

Mineral, Virginia 23117

703/894-5777 visa/mc 800/282-5628

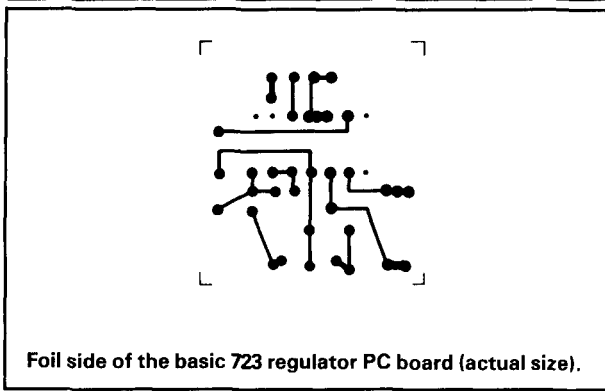
✓ 115

### QuicKit™ G5RV, Loop, & Dipole Kits

• Fast & Easy to Build	• Full Size G5RV dipole coverage 80-10	\$34.95
• Everything included	• Half Size G5RV dipole coverage 40-10	\$24.95
• Failsafe visual instructions	• Quarter Size G5RV dipole coverage 20-10	\$19.95
• No measuring / cutting	• Marconi Adapter kit	\$ 4.95
• Finish antenna in minutes	• Antenna Launcher kit	\$14.95
• Quality Components	• 200' Dacron 250# line	\$11.95
• Presoldered Amphenol PL259	• Loops, dipoles, feedlines, etc.	
• Kinkproof Superflex wire	• Add \$5 Shipping & Handling	
• Fully insulated, wx sealed, no-corrode, low noise design	• Add \$1 by 1st class mail	
Fastest Antennas in the West	• Catalog \$1 by 1st class mail	
<b>Antennas West</b>	(801) 373-8425	Box 50062-H, Provo, UT 84605

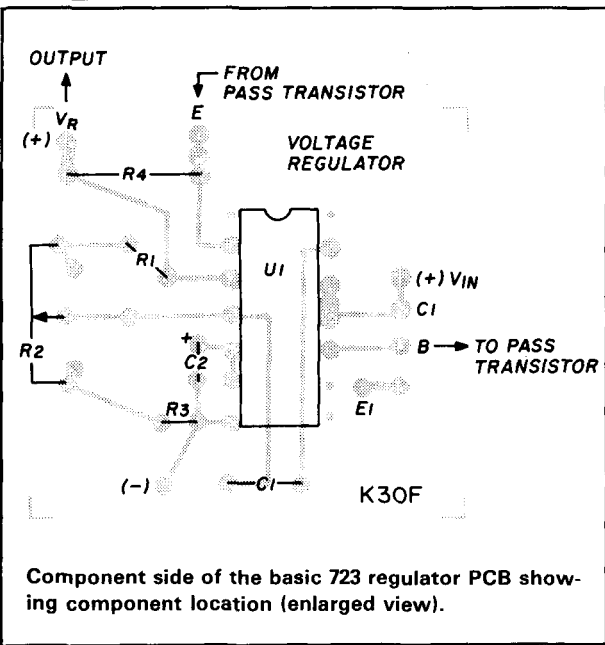
✓ 110

FIGURE 8



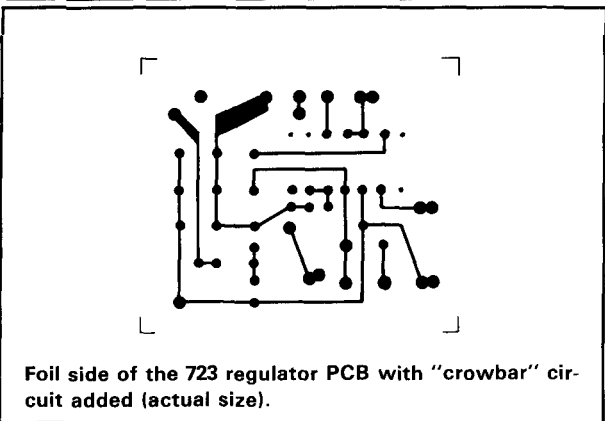
Foil side of the basic 723 regulator PCB (actual size).

FIGURE 9



Component side of the basic 723 regulator PCB showing component location (enlarged view).

FIGURE 10

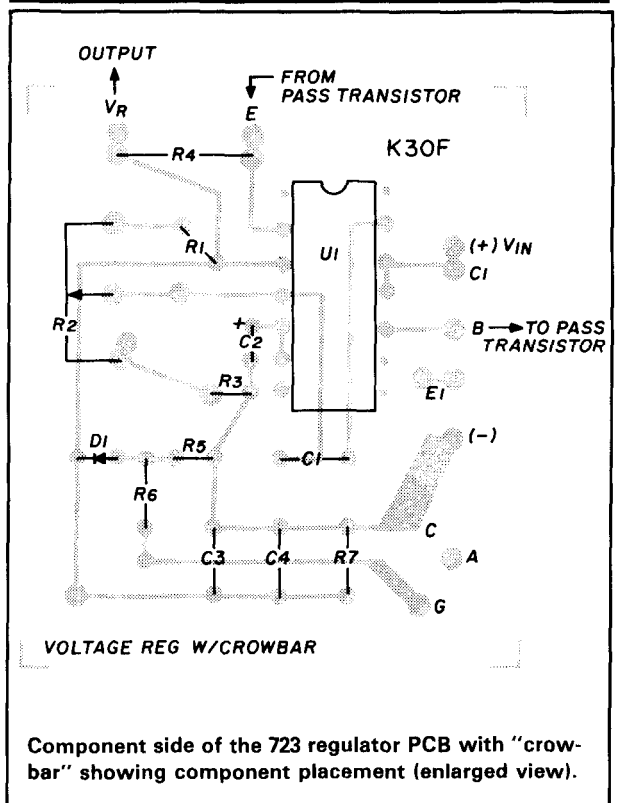


Foil side of the 723 regulator PCB with "crowbar" circuit added (actual size).

parallel) allowed me to attain the 1-A current limit. I use this bench supply primarily as a battery charger.

I then made a battery charger for an HT (photo F) which will both quick and trickle charge. I selected R4 to limit the current to 150 mA (I have also used 450-

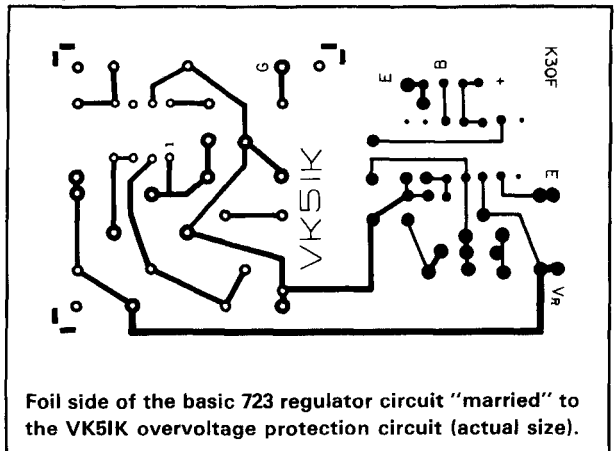
FIGURE 11



Component side of the 723 regulator PCB with "crowbar" showing component placement (enlarged view).

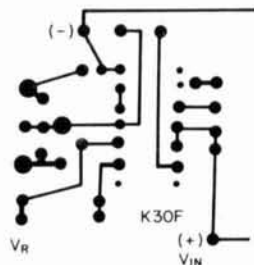
mA limit). I adjust the voltage with a fully charged battery pack and a millimeter in the circuit so that the charger will float across the battery pack at 15 mA. I even keep the charger connected while using the HT. The quick charge is not quite as good as more sophisticated circuits which maintain a maximum rate until a set point and then switch to the low rate. The 723 circuit starts out at maximum charge but tapers off as the voltage of the battery pack increases with the level of charge. The quick charge is effective to about 60 percent of full charge before it passes through a normal rate and finally to the 15 mA trickle rate. It's not

FIGURE 12



Foil side of the basic 723 regulator circuit "married" to the VK51K overvoltage protection circuit (actual size).

**FIGURE 13**



Foil side of multiple 723 regulator circuits for multiple voltages and/or current limits (actual size).

fancy but it sure beats the charger supplied with the HT.

The charger in **photo F** has a voltage doubler. It was originally built to use with a TR2400 with an 8-cell battery pack. I used the charger in the car, but found that the car's electrical system voltage wasn't high enough to charge the HT battery pack unless the motor was running and the car's voltage was about 14.1 volts. I added the voltage doubler circuit<sup>2</sup> and it solved the charge problem. But this little device puts out a lot of RFI. It seems to be a broad-banded frequency sweeping RFI on any hf frequency. I'm not sure how it would work if enclosed in a shielded mini-box.

I built another HT battery charger without the voltage doubler for use in the shack. I now have an HT with a 7-cell battery pack so I can use the car's elec-

trical system, a 13.8-volt power supply, or a wall-type dc module.

I have included several circuit board designs. **Figure 8** is the basic 723 voltage regulator circuit. The component side is shown in **fig. 9**. The pc board has provision for the on-board driver. If the driver is mounted on the board, E1 (not B) goes to the base of the pass transistor or the second driver. The collector voltage to the on-board drive is supplied by C1. The same pc board is shown in **fig. 10** with a conventional crowbar circuit added; **figure 11** shows the component side. A 4 to 6-A SCR can be mounted directly on the board, but SCRs for higher current applications should be mounted remotely (no heat sink required) and R7 connected directly to the SCR.

**Figure 12** shows the 723 circuit "married" to the VK5IK circuit. **Figure 13** has multiple 723 circuits from a common supply so you can have multiple outputs and charge NiCds or gel-cells from the same supply simultaneously.

### references

1. Ian N. Cousins, VK5IK, "Overvoltage Protection for 13.8v Power Supplies," *QST*, October 1983, pages 37-40.
2. *Radio Amateur Handbook*, 1981, American Radio Relay League, page 10-5.

### bibliography

1. Paul J. Dujnich, WA3TLD "Power Supply Regulation — using common sense," *73 Magazine*, January 1978, page 140.
2. Bob Engle, K9QLL, "Cheap Power Ploy," *73 Magazine*, August 1984, page 10.
3. Joseph J. Carr, K4IPV, "A Power Supply Primer: Part I," *73 Magazine*, November 1986, page 26.
4. Doug DeMaw, W1FB, "Some Power Supply Design Basics," *QST*, January 1987, page 26.

Article G

HAM RADIO

### MAKE CIRCUIT BOARDS THE NEW, EASY WAY



#### WITH TEC-200 FILM

#### JUST 3 EASY STEPS:

- Copy circuit on TEC-200 film using any plain paper copier
- Iron film on to copper clad board
- Peel off film and etch

**SATISFACTION GUARANTEED**  
convenient 8½ x 11 size

**5-Sheets for \$3.95**  
**10 sheets only \$5.95**

add \$1.25 postage — NY res. add sales tax

### The MEADOWLAKE Corp.

DEPT. N, P.O. Box 497  
Northport, New York 11768

✓ 142

### THE MULTIPLE RECEIVER SOLUTION



#### 4 Channel Signal-to-Noise Voter

- Expandable to 32 Channel by Just Adding Cards
- Continuous Voting
- LED Indicators of COR and Voted Signals
- Built-in Calibrator
- Remote Voted Indicators Pinned Out
- 4½ x 6 Double Sided Gold Plated 44 Pin Card
- Remote Disable Inputs
- MORE

Built, tested and calibrated with manual

**\$350.00**

Telephone interface now available  
For more information call or write:

**DOUG HALL ELECTRONICS**  
Voter Department  
815 E. Hudson Street  
Columbus, Ohio 43211  
(614) 261-8871

✓ 126

### BLACK DACRON® POLYESTER ANTENNA ROPE

- UV-PROTECTED
- HIGH ABRASION RESISTANCE
- REQUIRES NO EXPENSIVE POTTING HEADS
- EASY TO TIE & UNTIE KNOTS
- EASY TO CUT WITH OUR HOT KNIFE
- SIZES: 3/32" 3/16" 5/16"
- SATISFIED CUSTOMERS DECLARE EXCELLENCE THROUGHOUT U.S.A.

LET US INTRODUCE OUR DACRON® ROPE TO YOU • SEND YOUR NAME AND ADDRESS AND WE'LL SEND YOU FREE SAMPLES OF EACH SIZE AND COMPLETE ORDERING INFORMATION.

Dealer Inquiries Invited



MANUFACTURED BY  
**synthetic textiles, inc.**  
2472 EASTMAN AVE., BUILDING 21  
VENTURA, CALIFORNIA 93003  
(805) 658-7903

DACRON® IS A TRADEMARK REGISTERED TRADEMARK

✓ 161

# THE WEEKENDER



## DTMF group call decoder

With frequency congestion becoming a problem in certain areas, the use of selective decoders is increasingly popular and in some places very nearly a necessity. Although some manufacturers include these devices in their new equipment, many hams use older equipment not yet ready for retirement.

### Circuit description: Power supply

DC voltage enters through L1, which is used to filter power supply noise. Regulator Q1 steps down the voltage to the required +5 Vdc. The voltage is then filtered by C1 and C2. (See fig. 1 for the complete circuit.)

### DTMF decoder

The audio tone signal enters through C3 to the summing amplifier in U1. Network R3 and C4 determine valid tone detection time. A positive-going strobe pulse is presented on pin 15 every time a valid DTMF code is received. Components R4, R5, and Q2 invert this signal designation to U2, indicating that the 4-bit decoded signal is present on Q0 through Q3.

### 4 to 16 multiplexer

After U2 receives a strobe from U1, it takes the code and puts a high-going pulse on the decoded output. If you use a 4x4 DTMF keypad, all 16 outputs are active. If you choose a 3x4 keypad, only outputs 1-0, \*, and # are active.

By Roger Owens, AA4NX, 2042 Old Big Cove Road, Owens Cross Roads, Alabama 35763

## 1.2M-1.5M PARABOLIC DISH/FEED/DOWN CONVERTER to 2 Meters



- RCP, LCP, or Linear Polarization
- LNA - NF < 1.5dB, G > 22dB
- Preselector Filter - Machined 4-Pole Combine
- Microstrip Mixer on high dielectric alumina
- Local Oscillator - Heater Stabilized, ± 2ppm for CW/SSB
- Down Converter mounted in feed assembly for optimum performance

Frequencies available: 1.296-1.691 GOES WX - 2.304-2.40 OSCAR Mode-S - 3.456GHz

- Feed/Down Converter Assemblies are interchangeable in common feed mount.
- 1.2 Meter or 1.5 Meter Spun Aluminum Dish has mtg. hardware for 1.5" mast.
- Feed Antenna has + 5dBic Gain, selectable polarization.

### PRODUCT PRICE LIST

RCP/LCP Feed Assembly, Type N connectors, Model WCFA-(freq) .....	\$185.00
Linear Polarized Feed Assembly, Type N Conn. Model WLFA-(freq) .....	135.00
<i>(Specify frequency: 1.296, 1.691, 2.304, 2.400, 3.456GHz)</i>	
1.2 Meter Spun Aluminum Dish with mtg. hardware WUDA-1.2M .....	295.00
1.5 Meter Spun Aluminum Dish with mtg. hardware WUDA-1.5M .....	395.00
LNA - 2 stage GaAsFET, NF < 1.5dB, G > 22dB, SMA Conn. WLNA-(freq) .....	265.00
<i>(Specify frequency: 1.2, 1.69, 2.35, 3.456GHz)</i>	
Preselector Bandpass Filter, Machined 4-Pole Combine, SMA conn. Model WMCFA-(freq) .....	85.00
<i>(Specify frequency: 1.296, 1.691, 2.3, 2.4, 3.456GHz)</i>	
Microstrip Mixer - Thick Film, Machined Housing WHMM-(freq) .....	45.00
Local Oscillator - Heater Stabilized, Thick Film, WHLO-(freq) .....	325.00
<i>(Specify frequency: 1.151, 1.5535, 2.159, 2.255, 3.311, or any spot F<sub>0</sub>)</i>	
Complete Feed/Down Converter to 2 Meters, Model WFDC-(freq) .....	675.00
<i>(Specify frequency; feed type) (Other IF's avail., GOES-137.5MHz)</i>	
Complete Dish/Feed/Down Converter Assembly	
1.2 Meter Dish, Model WDDC-1.2-(freq) .....	955.00
1.5 Meter Dish, Model WDDC-1.5-(freq) .....	1055.00

All Products Shipped UPS except Parabolic Dish shipped by Truck - Freight Collect

## Wilmanco

19529 BUSINESS CENTER DR. • NORTHBRIDGE, CA 91324 U.S.A.  
TELEX 910380 7912 • (818) 993-1662 • FAX (818) 993-5438

✓ 177

## HAM RADIO SHIRTS and HATS

Here's a great way to say you're a HAM RADIO reader. Get a hat with your name and call and wear your HAM RADIO Magazine shirt!



Baseball Caps come in gold, blue, red and kelly green. Please give us the name and call sign you want lettered on the hat (maximum of 6 characters per line.)  
UFBC (comes in gold, blue, red, kelly green) .....\$5.95



HAM RADIO shirts come in two attractive styles. The TEE shirt is great for general everyday use. The HAM RADIO polo is for a more formal occasion. Each shirt is made of a 50/50 blend and comes in either blue or red. The new HAM RADIO logo is silk-screened in a vibrant yellow color on the front of each shirt.

Sizes Available:  
S, M, L, XL

HR-TEE B (blue) R (red).....\$ 9.95  
HR-PLO B (blue) R (red).....\$19.95

Please enclose \$3.50 to cover shipping and handling.



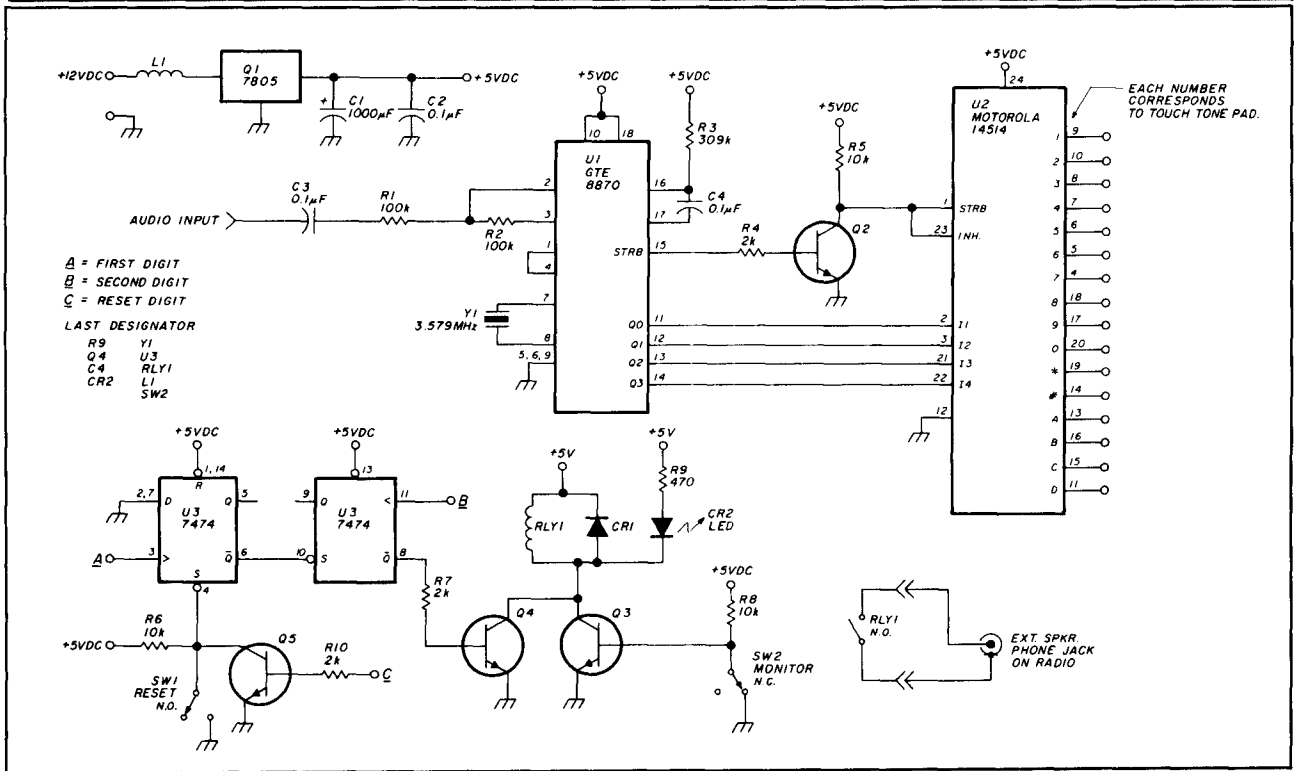
## HAM RADIO

GREENVILLE, NH 03048

## BOOKSTORE

(603) 878-1441

**FIGURE 1**



Schematic of the DTMF decoder and related circuitry.

**PARTS LIST**

C1	1000µF 35 volt	Electrolytic cap
C2,C3,C4	0.1µF 50 volt	CER capacitor
CR1	1N4148	General purpose diode
CR2	T13/4	LED green
L1	(as needed)	Inductor
Q1	7805	+5 volt regulator
Q2-4	2N3904	NPN transistor
R1,R2	100 k	1/8 watt 1 percent
R3	309 k	1/8 watt 1 percent
R4,R7	2 k	1/8 watt 1 percent
R5,R6,R8	10 k	1/8 watt 1 percent
R9	470 ohm	1/8 watt 1 percent
RLY1	1A05	+5 volt relay
SW1	Normally open	Push button-momentary
SW2	Normally closed	Push button-momentary
U1	GTE 8870	DTMF decoder
U2	Motorola MC14514A	4 to 16 decoder
U3	74LS74	D type flip-flop
Y1	3.57 MHz	Color burst crystal

**Decoder**

There are two inputs applied to U3 — A and B. Input A is connected to the U2 decoded output used for the first digit. Conversely, input B is connected for the second decoded digit.

Once input A receives a positive going pulse, U3 pin 6 goes high allowing input B to be accepted; this is the second decode digit. U3 is arranged so the 2-digit signal must be entered in the correct sequence.

Once this is done a signal is applied through R7 to the base of Q4, turning it on, pulling in relay 1, and closing the audio path. Diode CR1 protects the circuit from relay 1 CEMF.

When Q4 turns on, LED CR2 comes on indicating reception of a valid sequence. Resistor R9 limits the current through CR2 to about 10 mA.

**Reset**

Once the relay is closed by a valid sequence, it's deactivated by pushing the reset button or by connecting input C to a selected decoded output. Either of these resets pulls U3 (SET) low causing relay 1 to open, breaking the audio path.

**Monitor**

If you wish to monitor the frequency, open the monitor switch. This lets Q3 turn on closing relay 1. Closing this switch squelches the audio again.

**Ordering information**

You can order printed circuit boards for \$15.00 each from: Valley Communications, P.O. Box 277, Owens Cross Roads, Alabama 35763.

Article H

HAM RADIO



# Choose Kantronics™ the Leader in RF Data Communications.

"Great unit and Super Great  
Technical Service!!!"

— Bruce Claggett - KB4ZAX

"Have always heard good things  
about Kantronics. Thought I'd  
try you out. Like it alot so far!"

— Eric J. Marang - WD8KNL

**Kantronics sets the  
industry standards  
for service.**

"Your support of my KPC-1™  
was a major factor in this  
purchase (of a new KAM™).  
Thanks, and keep up the Good  
Work!"

— Art Skufca - KC8XA

"I like (my) KPC-2™ and  
wanted an all-mode TNC (the  
KAM™). I like the service I've  
had from Kantronics."

— Scott Thomas - N6LGB

"I've been very happy with your  
product; both quality and  
support I've received."

— Oscar Fick, Jr. - WIMBR

**Kantronics has the  
features others are  
still "working on."**

"Good Unit. I hope Kantronics  
keeps their software updated as  
they've done in the past. I like  
that."

— Bill Gutschmidt - N8ICT

"Please express my appreciation  
to your co-workers for the  
wonderful, new toy you've  
made for me!"

— Myron A. Calhoun - WØPBV

**A reputation for  
excellent technology.**

"I received the KAM™ ...as a  
present...however, I would like  
to avail of its warranty,  
although it seems remote that I  
would ever need to have it  
repaired within its warranty  
period considering the excellent  
and unquestionable quality  
control your company has over  
its products."

— Monino S. Duque - DU1BJD

"I hooked it up, and it works  
fine - thanks for a nice product."

— J. D. Wileman - KA5YJN

✓ 138

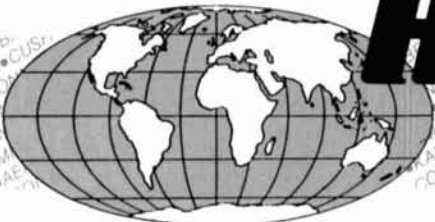
**Kantronics**

RF Data Communications Specialists

1202 E. 23 Street Lawrence, Kansas 66046  
(913) 842-7745



**GUARANTEED  
QUALITY  
AT COMPETITIVE PRICES**



# HAM RADIO OUTLET

LARGEST HAM OUTLET IN THE WORLD

**7**

## STORE BUYING POWER

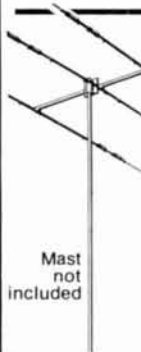


**GEOCHRON**  
GLOBAL  
TIME  
INDICATOR

**SALE**

- Detailed illuminated map shows time, time zone, sun position and day of the week at a glance for any place in the world
- Continuously moving - areas of day and night change as you watch
- Mounts easily on a wall. Size: 34 1/2" x 22 1/2"

~~\$1295~~ **\$1159.95 DELIVERED IN U.S.**



**A3** DX THAT STANDS OUT FROM THE CROWD

10, 15, 20  
Meters

**cushcraft**

Whether busting pileups, rag chewing or hunting rare DX, the A3 stands out from the crowd with the perfect combination of easy assembly, the right size, rugged durability and great performance.

- Boom Length 14 ft., Weight 27 lbs.
- Wind Surface Area 4.36 ft.

REG. **\$319.95**

SALE **249.95**

Plus Shipping

**SALE**

**concept**



VHF/UHF  
SOLIDSTATE  
AMPLIFIERS

Contemporary design, quality and a 5 year warranty on parts and labor. 6 months on the RF final transistors. All amplifiers have GaAsFET receive pre-amps and high SWR shutdown protection.



**MA-40**  
40' TUBULAR TOWER

~~\$809~~ **SALE! \$629**

**MA-550**  
55' TUBULAR TOWER

~~\$1369~~ **SALE! \$999**

- Handles 10 sq. ft. at 50 mph
- Pleases neighbors with tubular streamlined look

**TX-455**

55' FREESTANDING  
CRANK-UP

- Handles 18 sq. ft. at 50 mph
- No guying required
- Extra-strength Construction
- Can add raising and motor drive accessories



Shown with optional MARR rotor base

TOWERS RATED TO EIA SPECIFICATIONS  
OTHER MODELS AT GREAT PRICES  
IN STOCK FOR QUICK DELIVERY



**MADE IN U.S.A.**



**PARAGON 585**

- Ten-Tec QSK cw, real FSK and sideband audio
- Select any filter in any mode
- TX 160 through 10 meters • All mode superiority
- RX 100 kHz to 30MHz • A premier HF rig



**TITAN 425**

- Pair 3CX800A7 • External Power Supply
- Performance at legal limit
- 3 MS QSK, 1.6 to 22 MHz • Assures "Loaf Along"
- With authorized modification through 29.999 MHz

IN STOCK NOW! FREE SHIPMENT!



Advanced  
Electronic  
Applications

**PK-232 Multi-mode  
Data Controller**



- NEW IBM Fax Screen Display Program Available
- Transmit/Receive on Six Modes
- CW/RTTY/ASCII/AMTOR/Packet/FAX
- IBM and Commodore terminal programs available
- Radio Ports for HF and VHF

In Stock for Quick Delivery

Free Shipment

**KENWOOD**

**TM-721A DUAL BANDER**  
2MTR/70cm

45w 35w

EXTENDED RECEIVING RANGE (2MTR)



**TM-621A DUAL BANDER**  
2MTR/220MHz

45w 25w

AUTOMATIC OFFSET

CALL FOR LOW, LOW PRICE

**FREE SHIPMENT**  
Most items UPS surface

**All Major Brands in Stock Now!**

OUTSIDE CALIFORNIA

**CALL TOLL FREE (800) 854-6046**

INSIDE CALIFORNIA CALL STORES DIRECT

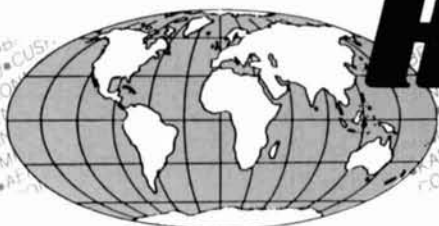


Toll free including Hawaii, Phone Hrs: 7:00 am to 5:30 pm Pacific Time, California, Arizona and Georgia customers call or visit nearest store. California, Arizona and Georgia residents please add sales tax. Prices, specifications, descriptions subject to change without notice.



WORLDWIDE DISTRIBUTION

CALL FOR LOW PRICES ON ALL YOUR ICOM NEEDS



# HAM RADIO OUTLET

LARGEST HAM OUTLET IN THE WORLD

## 7 STORE BUYING POWER

ICOM IC-761



HF SUPERIOR GRADE TRANSCEIVER

SALE! CALL FOR PRICE

ICOM IC-781



THE ULTIMATE 150 W, ALL BAND HF TRANSCEIVER

GREAT PRICE!

ICOM IC-900 MULTI-BAND MOBILE



YOU CAN OPERATE SIX BANDS WITH ONE CONTROLLER!

2 MTR 25/45W, 440 MHz 10 MTR, 6 MTR, 220 MHz & 1.2 GHz 10 MEMORIES

ARE YOU READY FOR 1.2 GHz OPERATION?

ICOM A Models 25W, H Models 100 W

IC-275A/275H, 138-174 MHz  
IC-475A/475H, 430-450 MHz



LOW PRICE!

NOW! RAPID DELIVERIES



FROM STORE NEAREST YOU

ICOM HAND-HELD VHF/UHF IC-2AT 2 MTR Mini Hand-held Low Sales Price



IC-02AT IC-2AT 2MTR  
IC-03AT IC-3AT 220 MHz  
IC-04AT IC-4AT 440 MHz

ICOM IC-735



100 W, 100 KHz-30 MHz Dual VFO Receiver

CALL FOR LOW, LOW PRICE

ICOM IC-R7000



25 MHz-1300 MHz SCANNING RECEIVER

GREAT PRICE!

ICOM IC-3210 138-174 MHz



DUAL BAND FM TRANSCEIVER

GREAT PRICE



### All Major Brands in Stock Now!

**Bob Ferrero W6RJ**  
President/Owner  
**Jim Rafferty N6RJ**  
VP So. Calif Div.  
Anaheim Mgr.

**ANAHEIM, CA 92801**  
2620 W. La Palma  
(714) 761-3033, (213) 860-2040  
Between Disneyland & Knotts Berry Farm

**ATLANTA, GA 30340**  
6071 Buford Hwy  
(404) 263-0700  
Larry, Mgr. WD4AGW  
Doraville, 1 mi. north of I-285

**BURLINGAME, CA 94010**  
999 Howard Ave.  
(415) 342-5757  
George, Mgr. WB6DSV  
5 miles south on 101 from SFO

**OAKLAND, CA 94606**  
2210 Livingston St.  
(415) 534-5757  
Rich, Mgr. WA9WYB  
IS-880 at 23rd Ave. Ramp

**PHOENIX, AZ 85015**  
1702 W. Camelback Rd.  
(602) 242-3515  
Bob, Mgr. K7RDM  
East of Hwy 17

**SAN DIEGO, CA 92123**  
5375 Kearny Villa Rd.  
(619) 560-4900  
Tom, Mgr. KM6K  
Hwy. 163 & Claremont Mesa Blvd.

**VAN NUYS, CA 91411**  
6265 Sepulveda Blvd.  
(818) 988-2212  
Al, Mgr. K6YRA  
San Diego Fwy.  
at Victory Blvd.

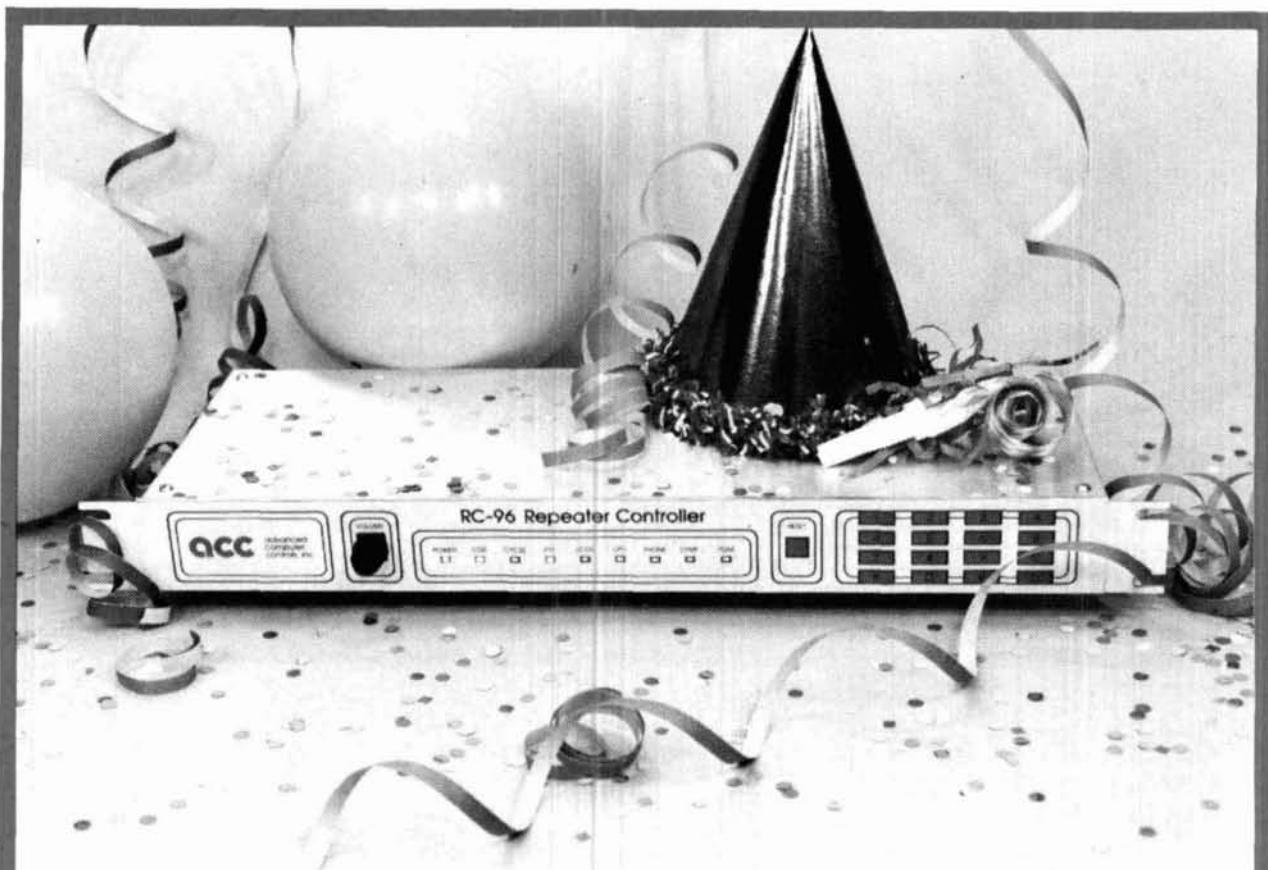
STORE HOURS  
10 AM-5:30 PM  
CLOSED SUNDAYS



OUTSIDE CALIFORNIA CALL TOLL FREE (800) 854-6046 INSIDE CALIFORNIA CALL STORES DIRECT

Toll free including Hawaii. Phone Hrs: 7:00 am to 5:30 p.m. Pacific Time. California, Arizona and Georgia customers call or visit nearest store. California, Arizona and Georgia residents please add sales tax. Prices, specifications, descriptions subject to change without notice.





## “Give your repeater something to celebrate!”

The new RC-96 controller for your repeater will make its day. And yours.

For you, remote programming will let you easily make changes to your repeater from anywhere without a trip to the hill. Change codes, autodial numbers, ID messages and more, with reliable storage in E<sup>2</sup>PROM memory.

Your users will love the outstanding patch and autodialer, with room for 200 phone numbers. The talking S-meter will let them check their signal strength into the repeater. Plus support for pocket pagers, linking to other repeaters, and a bulletin board.

Your technical crew will appreciate the built-in keypad and indicators. And the ease of hookup through shielded DIN cables. With pots and DIP switches easily accessible at the rear of the unit. They'll be impressed by the gas discharge tube across the phone line and transient suppressors on each I/O signal to keep lightning from taking your system down.

And most important, your repeater will have a new sense of pride in being able to serve you better. You'll even hear it in its voice!

Something for everyone. A real party animal!

**The RC-96 Repeater Controller** -  
the newest choice from ACC.

**ACC**

advanced  
computer  
controls, inc.

# ELECTRO-BRAILLE TRANSDUCERS

## AND THEIR APPLICATION

By G. W. Horn, I4MK, 17, via Pio IX, 40017 S. Giovanni Persiceto, Bologna, Italy

**A**lmost all digital read-out devices rely on the user's eyesight. LEDs, LCDs, and other digital displays are useless to blind operators. Acquiring data in a usable form is an obstacle that has plagued the sightless ham since the earliest days of wireless.

It's true that digital data (from a DVM or a counter, for instance) may be "spoken" by a voice synthesizer, but such designs are often cumbersome to use. Data can also be "written" on a row of tactile sensors coded in Braille. The second solution is better because the displayed data is "frozen" into the tactile sensors to be read and reread at will, without the uncertainty of synthetic speech. Written information is usually more precise and immediate than spoken.

Because many blind people read Braille, a read-out device that converts electrical voltages to a mechanical Braille format seemed ideal to me.

For those not familiar with the system, Braille characters are formed on a six-dot matrix (see **fig. 1**). The presence or absence of an embossed dot at each of the six crosspoints determines the "value" or meaning of that character. These dots are conventionally called P1, P2, P3, P4, P5, and P6. The figures from 0 to 9 are represented by points P1, P2, P4, and P5; the sign is given by the four points P2, P3, P5, and P6; and the letters are made by combinations of all six points. If you assign a bit sequence (dot = 1, no dot = 0) to the six dots, you can consider Braille a true digital code.

You can convert alphanumeric information of digital origin into Braille using "tactile" or electro-Braille transducers. There are two main types:

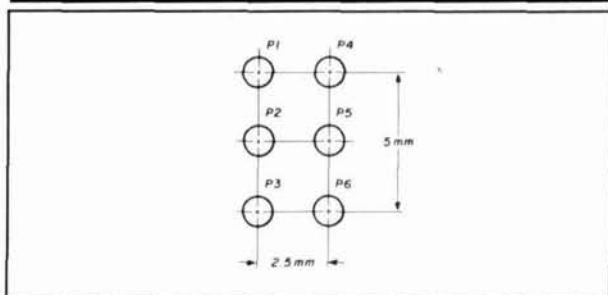
- **Vibrating.** These transducers consist of thin piezoceramic reeds, like those of some reading machines. Among these are the optacon.<sup>1,2</sup>

- **Electromechanical on/off.** These are usually employed in telephone exchanges attended by blind operators.

Electromechanical transducers have six pins arranged according to the standard Braille pattern shown in **fig. 1**. The pins are raised from the "no dot" level (0) to the "dot" level (1) by means of suction solenoids. They can be classified by operating mode as mono- or bistable electro-Braille transducers.

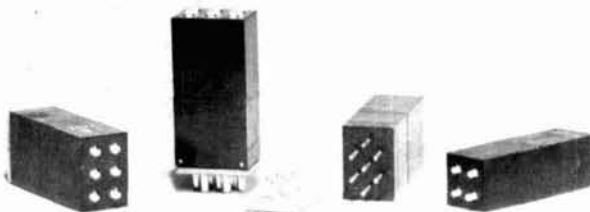
The pins of the monostable transducer (the simplest to construct) in **photo A** go up when the related solenoids are energized and remain up until enough current flows into the solenoids. There is a problem, however. The lack of a mechanical latch means that the pin raised at logical 1 can be pushed down by finger-tip pressure. A further drawback is the dimension of

**FIGURE 1**



Standard Braille matrix.

**PHOTO A**



Four and six-dot monostable electro-Braille transducers (manufactured by Tiflotel).

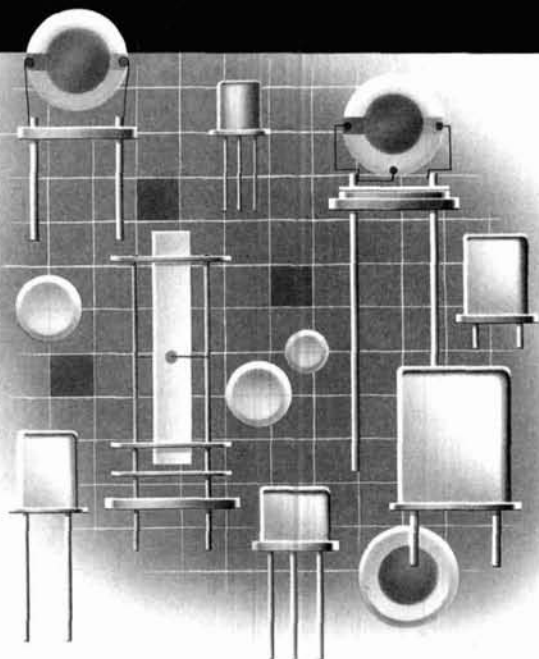
# CUSTOM CRYSTALS

## Crystals for many applications

For over 37 years, ICM has manufactured the finest in quartz crystals for every conceivable purpose.

A wide selection of holders are available to fit most any requirement. Our computer database contains crystal parameters for thousands of equipment types.

Need crystals for communications, telemetry, industrial, or scientific applications? Let ICM's sales department assist you to determine which type of crystal is best for you.



## Can we solve your crystal problem?

For special purpose crystals, special holders, special sizes, call our crystal sales department. We will be pleased to provide recommended data.



**International Crystal Manufacturing Co., Inc.**

PO Box 26330, 701 W. Sheridan,  
Oklahoma City, OK 73126-0330  
Phone (405) 236-3741  
Telex 747-147  
Facsimile (405) 235-1904

## NEMAL ELECTRONICS

- \*Complete Cable Assembly facilities MIL-STD-45208
- \*Commercial Accounts welcome- Quantity pricing \* Same day shipping most orders
- \*Factory authorized distributor for Alpha, Amphenol, Belden, Kings, Times Fiber

Call NEMAL for computer cable, CATV cable, Flat cable, semi-rigid cable, telephone cable, crimping tools, D-sub connectors, heat shrink, cable ties, high voltage connectors.

### HARDLINE 50 OHM

FXA12 1/2" Aluminum Black Jacket.....	89/ft
FLC12 1/2" Cablewave corr. copper blk jkt .....	1.69/ft
FLC78 7/8" Cablewave corr.copper blk jkt .....	4.25/ft
NM12CC N conn 1/2" corr copper m/ft .....	25.00
NM78CC N conn 7/8" corr copper m/ft .....	54.00

### COAXIAL CABLES (per ft)

1180 BELDEN 9913 very low loss .....	.52
1102 RG8/U 95% shield low loss foam 11ga.....	.36
1110 RG8X 95% shield (mini 8) .....	.17
1130 RG213/U 95% shield mil spec NCV jkt.....	.39
1140 RG214/U dbi silver shld mil spec.....	1.85
1705 RG142B/U dbi silver shld, teflon ins .....	1.50
1310 RG217/U 50 ohm 5000 watt dbi shld .....	.98
1450 RG174/U 50 ohm .100" od mil spec .....	.14

### ROTOR CABLE-8 CONDUCTOR

8C1822 2-18ga and 6-22ga .....	.25
8C1820 2-18ga and 6-20ga .....	.39

### CONNECTORS-MADE IN USA

NE720 Type N plug for Belden 9913 .....	\$3.95
NE723 Type N jack for Belden 9913.....	4.95
PL259AM Amphenol PL259 .....	.89
PL259TS PL259 teflon ins/silver plated.....	1.59
PL259AM Amphenol female-female (barrel).....	1.65
UG175/UG176 reducer for RG58/59 (specify).....	.22
UG21DS N plug for RG8,213,214 Silver.....	3.35
UG838 N jack to PL259 adapter, teflon .....	6.50
UG146A SO239 to N plug adapter, teflon .....	6.50
UG255 SO239 to BNC plug adapter, Amphenol.....	4.29
SO239AM UHF chassis mt receptacle,Amphenol.....	.89
UG88C BNC plug RG58, 223, 142 .....	1.45

### GROUND STRAP-GROUND WIRE (per ft.)

GS38 3/8" tinned copper braid .....	.40
GS12 1/2" tinned copper braid .....	.50
GS200 1-1/2" heavy tinned copper braid .....	2.00
HW06 6ga insulated stranded wire .....	.39
AW14 14ga stranded Antenna wire CCS .....	.14

Prices do not include shipping, \$3 minimum, Visa/Mastercard \$30 min. COD add \$3.00

Call or write for complete price list. NEMAL's new 40 page CABLE AND CONNECTOR SELECTION GUIDE is available at no charge with orders of \$50 or more, or at a cost of \$4 with credit against next qualifying order.

NEMAL ELECTRONICS, INC. 12240 NE 14th Ave. N. Miami, FL 33161  
(305) 893-3924 Telex 6975377 24hr FAX (305)895-8178

## PC Slow Scan \$149.95

A complete slow scan television station for your IBM PC or compatible. Send and receive images in up to 10 shades of gray depending upon your graphics card and printer.

### Includes:

Demodulator Modulator 75 Page Manual  
Software Tutorial Cassette

### Requires:

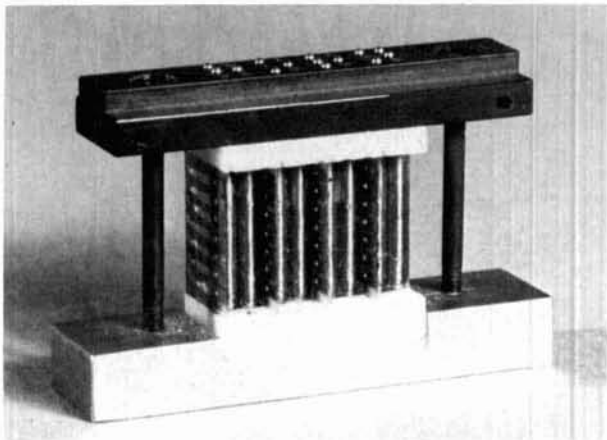
Ham transceiver PC with 640K Parallel Port  
Graphics Card Tape Recorder Serial port

Slow Scan Formats: 8,12,17,23,34,36,48,72 sec.



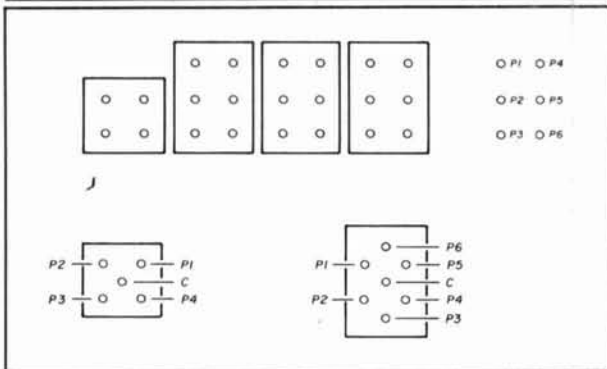
Software Systems Consulting  
1303 S. Ola Vista  
San Clemente, CA 92672  
(714) 498-5784

**PHOTO B**



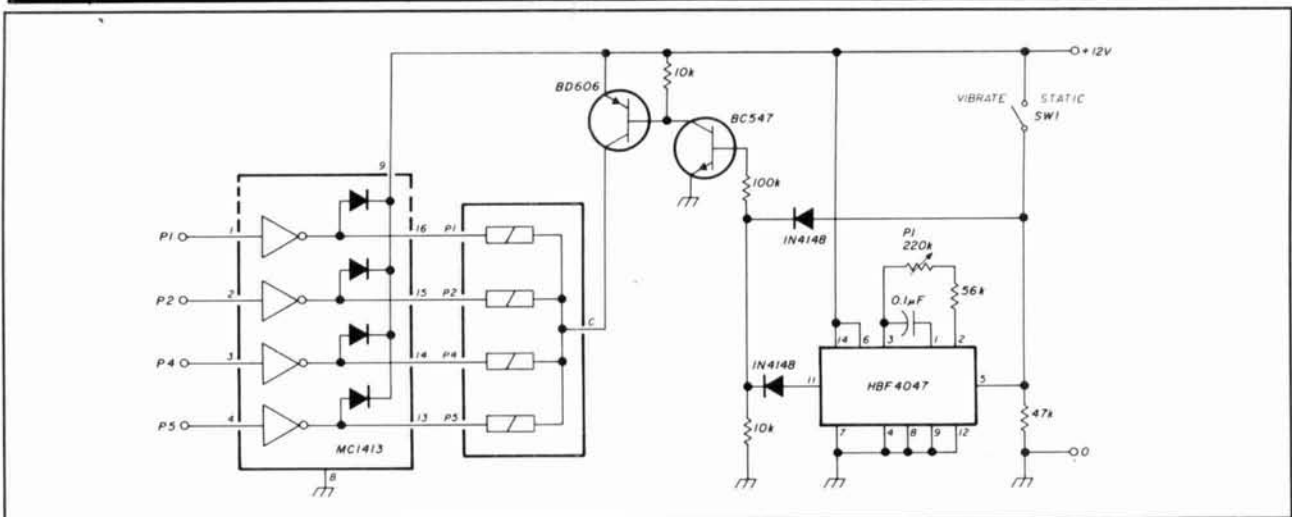
Bistable electro-Braille transducers arranged in a row of four (manufactured by Tiflotel).

**FIGURE 2**



Reading row of three monostable and one polarity transducer.

**FIGURE 3**



Vibrating-mode drive of four-dot monostable transducers. Vibration frequency is controlled by P1.

this transducer's matrix; it's slightly larger than standard Braille.

The bistable transducer in **photo B** has a mechanism that latches the pin into the position where the control pulse has driven it previously. Consequently, a pin is raised at 1 when a short current pulse is applied to its solenoid. A similar pulse of opposite polarity will bring it to 0 again.<sup>3,4</sup>

In another version, each pin is driven by two independent solenoids — one for raising (write), and a second for lowering (erase). Both are controlled by pulses of the same polarity.

The main advantage of the bistable transducer is that the pin, once at 1, can't recede under fingertip pressure because of the mechanical latch. Another advantage is that the transducer is pulse energized. Power drain and consequent heating are also reduced to a minimum in this device. Bistable transducers, whose matrices reproduce Braille's dimensions exactly, are generally assembled into a block or row of four (or  $n \times 4$ ).

Because of their dissimilar internal structures, mono- and bistable transducers need different kinds of electrical drive — static (DC) and dynamic (pulses).

The typical monostable transducer (shown in **photo A**), drains about 50 mA per pin at +12 volts. The peripheral driver array MC 1413 (ULN 2003) is a suitable driver for its four or six pins. The seven Darlington pairs of this chip can supply the required current and are intrinsically protected against inductive voltage spikes.

Translation of the BCD data coming from a three-digit DVM (a CA 3162E, for instance) into Braille requires a row of three-figure and one-polarity trans-

# SUBSCRIBE

AND RENEW

TOLL-FREE

# HAM RADIO



1 YR - \$22.95

2 YRS - \$38.95

3 YRS - \$49.95

Prices U.S. only



MASTERCARD



VISA  BILL ME

Please have your charge card ready.

DATATEL 800™

# 800-341-1522

Weekdays 8 AM - 9 PM EST

Saturdays 9 AM - 5 PM EST

IN MAINE CALL COLLECT (207) 236-2896

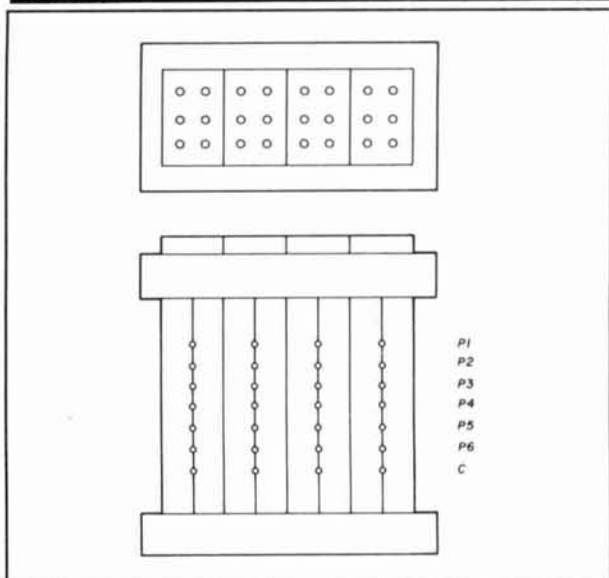
OUR 800 NUMBER IS FOR SUBSCRIPTION ORDERS ONLY!

For Errors or Change of Address

CALL *ham radio* direct at

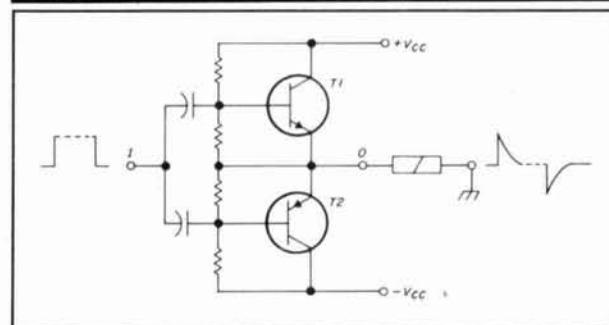
(603) 878-1441 8-5 EST

FIGURE 4



Reading row of four bistable two-phase electro-Braille transducers.

FIGURE 5



Low output impedance differentiating driver.

ducers (see fig. 2). If you use monostable transducers, remember that Braille numerals consist of four dots (at maximum), the operational signs have three dots, and the decimal point (DP) is conventionally indicated by point P3 of each transducer. This means there are a total of 18 solenoids to be driven (at a maximum DC current of approximately 1 A), requiring three ULN 2003 driver ICs.

Power drain and heating can be reduced considerably by supplying the transducer row with a square wave (see fig. 3) instead of a DC current, which lets the pins vibrate. The resulting sensation makes reading easier and relieves the uncertainties caused by the tendency of the pins to recede under fingertip pressure.

The bistable transducer's solenoids (shown in photo B) are controlled by short two-phase pulses.



# BATTERIES "R" US...

You've bought our replacement batteries before...  
NOW YOU CAN BUY DIRECT FROM US, THE MANUFACTURER!



**ICOM**  
CM2, PB2 7.2v @ 500MAH  
CM5, PB5 10.8v @ 500MAH  
SUPER 7S & 8S  
13.2v @ 1100MAH  
9.6v @ 1200MAH  
(base charge only)  
Introductory Offer!  
SUPER 7S & 8S - \$64.95 each



**KENWOOD**  
KNB-1 10.8v @ 500MAH  
KNB-4 7.2v @ 2000MAH  
KNB-5 12v @ 1000MAH  
PB-1 12v @ 1000MAH



**YAESU/MAXON**  
\* FNB-10 7.2v @ 600MAH  
\* FNB-12 12v @ 500MAH  
\* FNB-10(S) 7.2v @ 1000MAH  
\* same size case as FNB-12  
Introductory Offer!  
P4W 11v @ 500MAH - \$22.63  
FNB-2 11v @ 500MAH - \$22.63



**CUSTOM MADE BATTERY PACKS & INSERTS**  
Made to your specifications.  
Introductory Offer!  
KENWOOD  
PB-25—\$20.00; BP-5—\$23.00  
BP-3—\$18.95  
ICOM  
BP-5—\$23.00; BP-3—\$18.95

Prices subject to change without notice.



MasterCard and Visa cards accepted. NYS residents add 8 1/4% sales tax. Add \$3.00 for postage and handling.



**SOURCE FOR ALL YOUR COMMUNICATION BATTERY REPLACEMENT NEEDS.**

## W & W ASSOCIATES

29-11 Parsons Boulevard, Flushing, N.Y. 11354

WORLD WIDE DISTRIBUTORSHIPS AVAILABLE. PLEASE INQUIRE.

In U.S. & Canada Call Toll Free (800) 221-0732 • IN NYS (718) 961-2103 • Telex: 51060 16795 • FAX: (718) 461-1978

OUR PRICES CAN'T BE BEAT!

SEND FOR FREE CATALOG & PRICE LIST!

SEE US AT DAYTON!

✓ 182

## antennex<sup>o</sup>

"The Magazine For Antenna Experimenters" IF YOU -

- Have a lousy mobile signal on all bands?
- Need an inexpensive beam for 10 meters?
- Unsure about using vert vs horiz antenna?
- Need a low noise antenna for 160 meters?
- Want to design an antenna just for you?
- Need a program for design and plotting?
- Need to solve a unique problem?
- Know the best antenna for hamsats, etc.?
- Need a disguised mobile antenna?
- Want a cheap automatic coupler system?
- Just want to learn more about antennas?

THEN SUBSCRIBE TO - *antennex<sup>o</sup>*  
12 MONTHLY ISSUES is only \$11.97 for USA and possessions. \$17.00 foreign.

*antennex<sup>o</sup>*

P.O. Box 8995 Dept. 19  
Corpus Christi, TX 78412

✓ 183

NEW NEW NEW

PLENTY OF BOOKS LISTED IN THE BOOKSTORE'S CATALOG —

SAVE TIME AND MONEY.

SHOP BY MAIL FROM YOUR #1 SOURCE OF AMATEUR BOOKS AND SOFTWARE.

HAM RADIO'S BOOKSTORE GREENVILLE, NH 03048  
(603) 878-1441

## Iron Powder and Ferrite TOROIDAL CORES

Shielding Beads, Shielded Coil Forms  
Ferrite Rods, Pot Cores, Baluns, Etc.

Small Orders Welcome  
Free 'Tech-Data' Flyer

**AMIDON** Associates Since 1963

12033 Otsego Street, North Hollywood, Calif. 91607



✓ 184

## INTERFERENCE?

- ★ Interference Location
- ★ Stuck Microphones
- ★ Cable TV Leaks
- ★ Security Monitoring



- ★ VHF and UHF Coverage
- ★ Computer Interface
- ★ Speech Synthesizer
- ★ 12 VDC Operation

**New Technology** (patent pending) converts any VHF or UHF FM receiver into an advanced Doppler shift radio direction finder. Simply plug into receiver's antenna and external speaker jacks. Uses four omnidirectional antennas. Low noise, high sensitivity for weak signal detection. Call or write for full details and prices.

**DOPPLER SYSTEMS, INC.** P.O. Box 31819  
Phoenix, AZ 85046 (602) 488-9755

✓ 185

A + 12 volt, 20-mS pulse makes the pin rise at logical 1; another - 12 volt, 10-mS pulse resets it to logical 0 (coil resistance 65 ohms, inductance 15 mH). **Figure 4** shows schematically a reading row of four of these types of transducers.

Control pulses are delivered to the solenoid by a low-impedance driver capable of supplying enough current in both directions. It may consist of a couple of complementary transistors arranged in a mirror emitter-follower configuration (see **fig. 5**). This can be implemented with a single dual NPN/PNP transistor like the BFX 79.

The data to be read should be saved into suitable registers, independent from transducer's type and accompanying driver circuit. The input data from a DVM, for example, is mostly multiplexed. A quad-latch register, like the MC 14042, may be used in this instance (see **fig. 6**).

If the transducers are monostable, their driving Darlington will be controlled directly by the Q's of their respective latches. If they are bistable, the Q outputs must be differentiated to get to a positive driving pulse at their rise to 1, and to a negative one at their fall to 0.

Because transducer reading occurs in Braille, the information brought into the relevant register must be translated correspondingly. In the case of BCD data coming from DVM, DMM, ADC, and counters, the Braille translation must be made according to **table 1**.

The fundamental difference between the two codes is that in Braille, contrary to BCD, 0 isn't represented

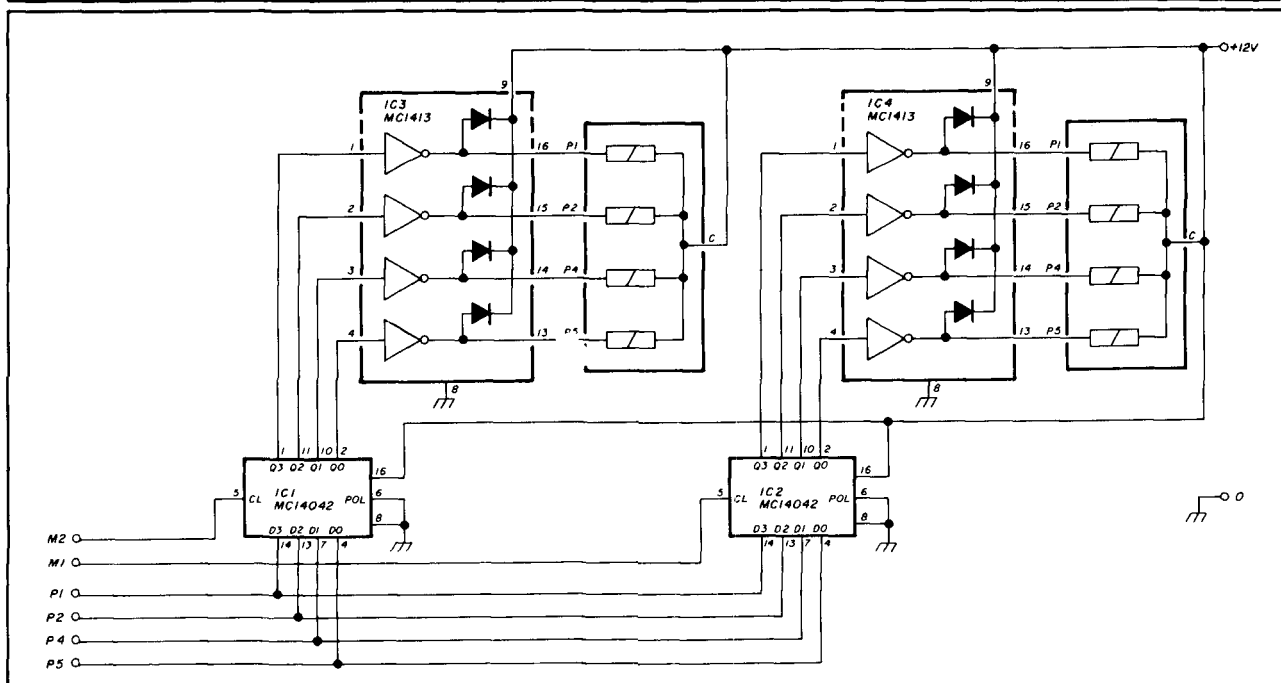
by a sequence of all-null bits. A Braille 0000 sequence would be meaningless indeed!

Code conversion can be done by splitting the relevant process into two phases: BCD-to-decimal and decimal-to-Braille conversion. The only BCD-to-decimal decoder that can be used in this way is the MC 14028 which, compared with the more common 4028, doesn't decode the invalid sequences. This feature is of paramount importance when data to be translated into Braille are delivered by a DVM like the CA 3162E. Overflow, polarity reverse, and other situations are given by bit combinations corresponding to

**TABLE 1**

N	BCD				Braille					
	D	C	B	A	P1	P2	P3	P4	P5	P6
0	0	0	0	0	0	1	0	1	1	0
1	0	0	0	1	1	0	0	0	0	0
2	0	0	1	0	1	1	0	0	0	0
3	0	0	1	1	1	0	0	1	0	0
4	0	1	0	0	1	0	0	1	1	0
5	0	1	0	1	1	0	0	0	1	0
6	0	1	1	0	1	1	0	1	0	0
7	0	1	1	1	1	1	0	1	1	0
8	1	0	0	0	0	1	0	1	1	0
9	1	0	0	1	1	1	0	1	0	0
+	—	—	—	—	0	1	0	1	1	0
-	—	—	—	—	0	1	1	0	0	0

**FIGURE 6**



Multiplexed two-digit Braille data stored in quad latches provides control of the two four-dot monostable transducers.

Others May Try to Imitate, But...

Only One Can Be The Best



Morse Code - Baudot - ASCII - AMTOR - Packet - Facsimile - Navtex

Amateur Net Price \$319.95

It's a lesson you learn very early in life. Many can be good, some may be better, but only one can be the best. The PK-232 is the best multi-mode data controller you can buy.

## 1 Versatility

The PK-232 should be listed in the amateur radio dictionary under the word Versatile. One data controller that can transmit and receive in six digital modes, and can be used with almost every computer or data terminal. You can even monitor Navtex, the new marine weather and navigational system. Don't forget two radio ports for both VHF and HF, and a no compromise VHF/HF/CW internal modem with an eight pole bandpass filter followed by a limiter discriminator with automatic threshold control.

The internal decoding program (SIAM<sup>tm</sup>) feature can even identify different types of signals for you, including some simple types of RTTY encryption. The only software your computer needs is a terminal program.



PC Pakratt Packet TX/RX Display



Facsimile Screen Display

## 2 Software Support

While you can use most modem or communications programs with the PK-232, AEA has two very special packages available exclusively for the PK-232...PC Pakratt with Fax for IBM PC and compatible computers, and Com Pakratt with Fax for the Commodore 64 and 128.

Each package includes a terminal program with split screen display, QSO buffer, disk storage of received data, and printer operation, and a second program for transmission/reception and screen display of facsimile signals. The IBM programs are on 5-1/4" disk and the Commodore programs are plug-in ROM cartridges.

## 3 Proven Winner

No matter what computer or terminal you plan to use, the PK-232 is the best choice for a multi-mode data controller. Over 20,000 amateurs around the world have on-air tested the PK-232 for you. They, along with most major U.S. amateur magazines, have reviewed the PK-232 and found it to be a good value and excellent addition to the ham station.

No other multi-mode controller offers the features and performance of the PK-232. Don't be fooled by imitations. Ask your friends, or call the local amateur radio store. We're confident the PK-232 reputation will convince you that it's time to order your very own PK-232.

Call an authorized AEA dealer today. You deserve the best you can buy, you deserve the PK-232.

**Advanced Electronic Applications, Inc.**

P.O. Box C-2160  
Lynnwood, WA 98036  
206-775-7373

**AEA** Brings you the Breakthrough!



**CALL US  
NOW!**

In 1937, Stan Burghardt (WØIT), because of his intense interest in amateur radio, began selling and servicing amateur radio equipment in conjunction with his radio parts business. We stand proud of this long-lasting tradition of *Honest Dealing, Quality Products and Dependable "S-E-R-V-I-C-E"!*

*Above all*, we fully intend to carry on this proud tradition with even more new product lines plus the same "fair" treatment you've come to rely on. Our reconditioned equipment is of the finest quality with **30, 60** and even **90-day** parts and labor warranties on selected pieces. *And always remember:*

**— WE SERVICE WHAT WE SELL —**

AEA	B&W	Hustler	Nye
Alinco	Belden	Icom	Palomar
Ameco	Bencher	Jerold/Delhi	Radio Callbook
Ameritron	Bird	Kantronics	RF Concepts
Amphenol	Butternut	Kenwood	Rohn
Amp Supply	Centurion	Larsen	Telex/Hygain
Antenna	CES	MFJ	Ten-Tec
Specialists	Cushcraft	Mirage/KLM	Unadilla/Reyco
Astron	Daiwa	Moseley	Yaesu

**Write today for our latest Bulletin/Used Equipment List.**

**YOUR HAM DOLLAR GOES  
FURTHER AT...**

**CALL OR WRITE FOR SPECIAL QUOTE**

When it comes to  
**FAST DELIVERY, HONEST DEALING and  
PROMPT/DEPENDABLE S-E-R-V-I-C-E** back-up  
We don't just advertise it — **WE GIVE IT!**

*we'll treat you*

**SELECTION**

**S-E-R-V-I-C-E**

and

**SATISFACTION!**

**STORE HOURS:**  
9-5 P.M. (CST)  
MONDAY thru FRIDAY  
OPEN SATURDAYS  
from 9-1 P.M. (CST)  
CLOSED  
SUNDAYS/HOLIDAYS



182 N. Maple  
P.O. Box 73  
Watertown, SD 57201



"AMERICA'S MOST RELIABLE AMATEUR RADIO DEALER"

**SELL-TRADE**

New & Reconditioned

**HAM EQUIPMENT**

Call or Write Us Today For a Quote!  
You'll Find Us to be Courteous, Knowledgeable  
and Honest

PHONE (605) 886-7314

FAX (605) 886-3444



**IC-781**

**The Future of  
Amateur Communications**

**CALL FOR A QUOTE!**

186



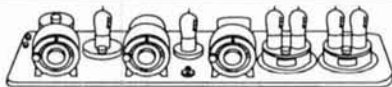
**R-7000 Widespan Panadaptor**

Panadaptor especially designed for the R-7000 receiver. For use with a standard scope. Variable span width from 1 to 10 Mhz. Uncover unknown elusive signals. Complete with all cables, & 90 day warranty. \$349.95 Shipped. Pa. res. add 6%.

**GTI Electronics**

RD 1 BOX 272  
Leighton, Pa. 18235  
717-386-4032

187



**IF YOU BUY, SELL OR COLLECT  
OLD RADIOS, YOU NEED...**

**ANTIQUÉ RADIO CLASSIFIED**

*Antique Radio's  
Largest-Circulation  
Monthly Magazine*  
**FREE SAMPLE COPY!**



Classifieds - Ads for Parts & Services  
Articles - Auction Prices-Flea Market Info.  
Also: Early TV, Ham Equip., Books, Telegraph,  
Art Deco, 40's & 50's Radios & more...  
*Free 20-word ad each month. Don't miss out!*

6-Month Trial - \$11.

1-Year: \$19 (\$28 by 1st Class)

Foreign by air - Canada: \$30; Mexico: \$28; Other: \$55.

A.R.C., P.O. Box 2-A4, Carlisle, MA 01741

111

**GALLATIN  
RADIO SUPPLY**

Expert repair of Ehrhorn ALPHA  
76A, 374A, 78 and 77D series  
amplifiers.

Also specializing in state-of-the-art  
repair and modification of the Collins  
KWM/HF-380 series radios. Latest  
up-dates available. Factory  
Authorized. You won't believe the  
improvement in your radio when it  
gets back!

*Call for more information  
or to schedule your work.*

**Gallatin Radio Supply**

Attn: Kirby Van Horn  
P.O. Box 60064  
Houston, Texas 77205  
(713) 320-2324

Authorized MADISON Electronics repair facility.

130

binary figures greater than 9 which, if decoded, would give rise to completely inaccurate numerical indications. Once in decimal, the figure has to be translated into Braille. This can be done using the diode matrix shown in **fig. 7**.

It's worth noting that, due to the data structure of many modern digital XCVRs, the actual data is provided in seven-segment format rather than in BCD. In this case, the BCD-to-Braille converter must be preceded by a seven segments-to-BCD one. Such a conversion can be performed<sup>5,6</sup> by the logic shown in **fig. 8**. Inputs coming from segments a, d, e, f, and g are enough. However, the decimal outputs (except N=0) must be cross wired in order to preserve the correct correspondence between input and output data.

The electro-Braille transducers may be used to read the DVM. **Figure 9** shows a DVM circuit suitable for driving the reading row. One peculiarity of the circuit is the way it generates multiplex pulses M2, M1, and M0. The three AND gates, together with the relevant RC groups, "shape" the pulses in order to suppress spurious signals which would incorrectly trigger the registers.

The TTL digital data delivered by the CA 3162E is then translated by IC3 and IC4 (MC 14504) at MOS level. This is necessary because, to be controlled, the bistable transducers chosen need  $\pm 12$  volt pulses.

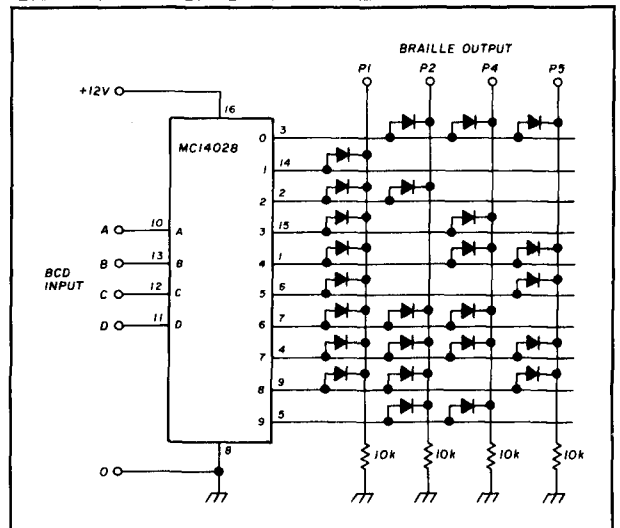
As shown in **fig. 10**, reading row control is performed by three quad latches (MC 14042), followed by three quad-differentiating drivers (DR2, DR1, DR0) which drive the P1, P2, P4, and P5 pins of the figure transducers. The fifth, or quint-differentiating driver (DR  $\pm$ , DP), controls the P2 P5 (sign -), P2 P3 P5 (sign +) pins of the polarity transducer, and the P3 pins (decimal point DP) of the three-figure ones.

The electrical circuit of the differentiating drivers (DR) is shown in **fig. 11**. The drivers have been simplified without compromising their functionality.

The transducer's driving circuit (**fig. 10**) is controlled by the DVM's output through the BCD-to-Braille converter of **fig. 7**. The differentiating drivers (DR/DP), related to the decimal point (DP) P3 pins, are controlled by the range selector located in the DVM's front-end unit. The polarity information is obtained from a separate logic (**fig. 12**) made of a dual four-input NAND (IC1) and a dual four-input NOR (IC2) gate. IC1 decodes the 1100 sequence which, corresponding to the M1 multiplexing pulse, indicates that the polarity of  $V_x$  at DVM's input was reversed. IC2 detects the 0000 sequence that occurs when  $V_x = 0$ . The following are possible situations:

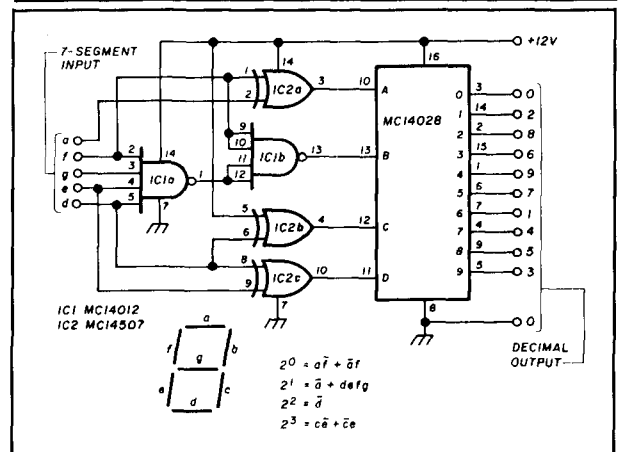
- $V_x = 0$  figure transducers indicate 000 (in Braille 0111 0111 0111)
- polarity transducer: no dot
- $0 < V_x < 0.999V$  figure transducers

**FIGURE 7**



BCD-to-Braille data converter.

**FIGURE 8**



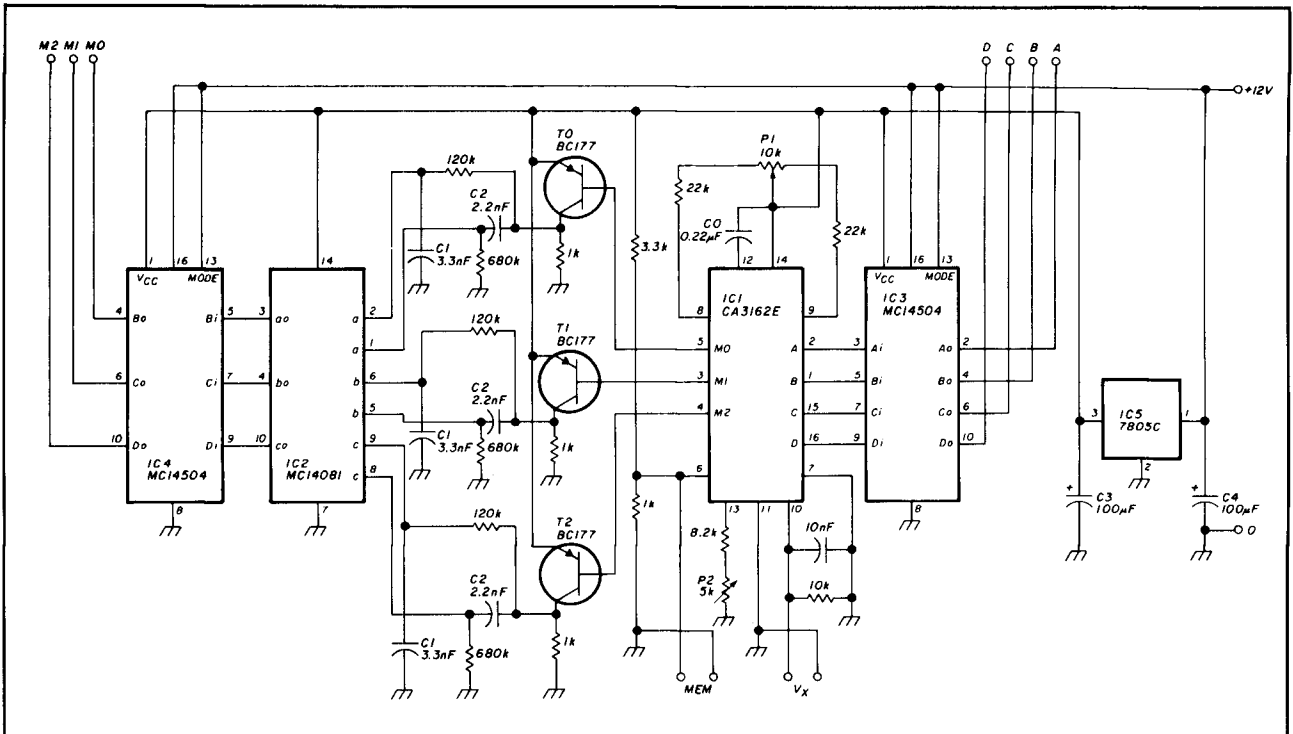
Seven-segment code-to-decimal converter.

- indicate  $V_x$  three-digit value
- polarity transducer: +
- $-0.099V < V_x < 0$  figure transducers indicate  $V_x$  three-digit value polarity transducers: -
- $V_x > 0.999V$  figure transducers: no dot
- polarity transducer: +
- $V_x < -0.099V$  figure transducer: no dot
- polarity transducer: -

Note: The CA 3162E accepts a maximum positive input voltage of 0.999 volts and a maximum negative one of 0.099 volts.

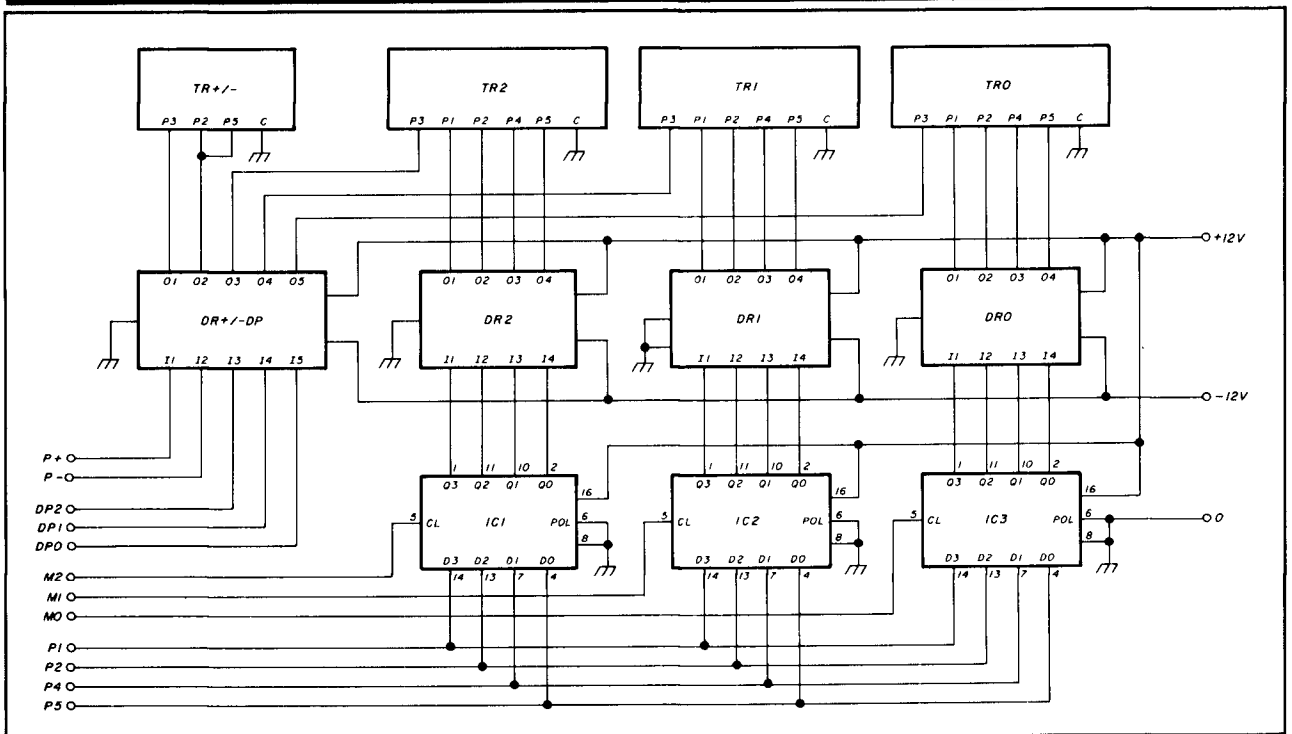
To turn the DVM into a true DMM (**photo C**), you need a front-end unit. **Figure 13** shows a circuit that you can use. It allows measurements of AC/DC voltages and currents, as well as resistances in the following ranges: 100 mV to 1 kV, 100  $\mu A$  to 1 A, 100 ohm to 1 megohm.

**FIGURE 9**



Three-digit DVM suitable for driving a row of four bistable transducers.

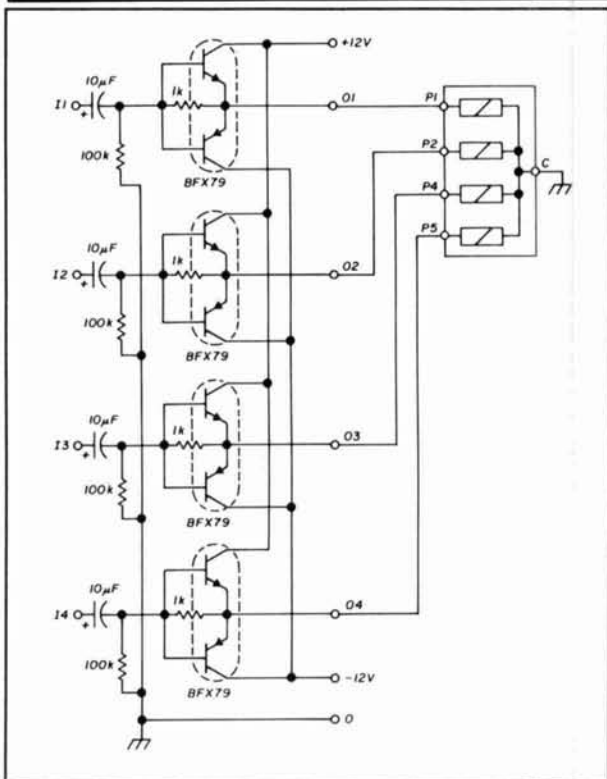
**FIGURE 10**



Control and drive circuit for the row of four bistable transducers.

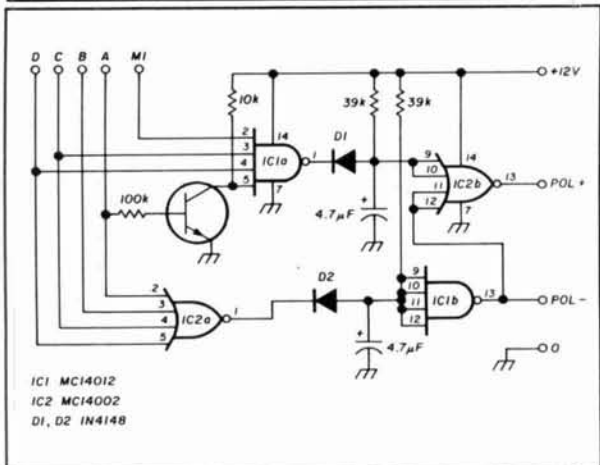
SW1 is the "mode;" SW2 is the "range" selector. SW3 provides polarity inversion, while closing SW4. The last measured data is saved into the reading row. The dual op amp (IC1) is a DC amplifier, the gain of which — in the lowest V/A range — is changed by T1 from 1 to 10. Dual op amp IC2 forms a precision AC-to-DC converter; dual op amp IC3 is the ohm-to-volt converter.

FIGURE 11



Quad differentiation driver (DR in fig. 10).

FIGURE 12



Schematic of the polarity information decoding circuit.

Make the most of your general coverage transceiver with *Monitoring Times!*

Every month *Monitoring Times* brings everything you need to make the most of your general coverage transceiver: the latest information on international broadcasting schedules, frequency listings, international DX reports, propagation charts, and tips on how to hear the rare stations. *Monitoring Times* also keeps you up to date on government, military, police and fire networks, as well as tips on monitoring everything from air-to-ground and ship-to-shore signals to radioteletype, facsimile and space communications.

**ORDER YOUR SUBSCRIPTION TODAY** before another issue goes by. In the U.S., 1 year, \$18; foreign and Canada, 1 year, \$26. For a sample issue, send \$2 (foreign, send 5 IRCs). For MC/VISA orders (\$15 minimum), call 1-704-837-9200.

### MONITORING TIMES

Your authoritative source, every month.

P.O. Box 98 A  
Brasstown, N.C. 28902

✓ 146

## W6SAI BOOKS

published by Bill Orr, W6SAI and Stu Cowan, W2LX

### BEAM ANTENNA HANDBOOK

Completely revised and updated with the latest computer generated information on BEAM Antenna design. Covers HF and Yagis and 10, 18 and 24 MHz WARC bands. Everything you need to know. 204 illustrations. 268 pages. ©1985. Revised 1st edition. **RP-BA** Softbound \$11.95

### ALL ABOUT VERTICAL ANTENNAS

Theory, design, construction, operation—are fully covered. Here's what this exciting book covers: Horizontal vrs vertical—which is best? Top loaded and helical antennas. 5 high efficiency Marconi antennas for 80 and 160, verticals and TVI—Is there a problem? The effects of ground on vertical antennas and a how to make an effective ground system, the Bobtail beam, construction data for 25 different antennas, matching circuits of all descriptions—which is best, plus P-L-E-N-T-Y more! 1st edition, 192 pages © 1986 **RP-VA** Softbound \$10.95

### RADIO HANDBOOK 23rd Edition

Here are some of the highlights of this exciting new edition: New easy-to-use charts for Chebyshev and elliptic filter configurations, new data on power MOS-FETS, how to use state-of-the-art OP-AMPS, and home computer RTTY to name just a few examples. New projects include: GaAsFET preamps for 902 and 1296 MHz, easy-to-build audio CW filter, Economy two 3-500Z, 160 meter amplifier, multiband amp using two 3CX800A7's, and a deluxe amplifier with the 3CX1200A7 tube. New antenna projects include: efficient Marconi design for 160 and 80 meters, computer generated dimensions for HF-Yagis, and a 2 meter slot beam. Get your copy today. 23 edition © 1986 **22424** (Reg. \$29.95) Hardbound \$26.95

### THE RADIO AMATEUR ANTENNA HANDBOOK

A wealth of projects that covers verticals, long wires, beams as well as plenty of other interesting designs. It includes an honest judgement of gain figures, how to site your antenna for the best performance, a look at the Yagi-Quad controversy, baluns, slopers, and delta loops. Practical antenna projects that work! 190 pages. ©1978. 1st edition. **RP-AH** Softbound \$11.95

Please enclose \$3.50 for shipping and handling.

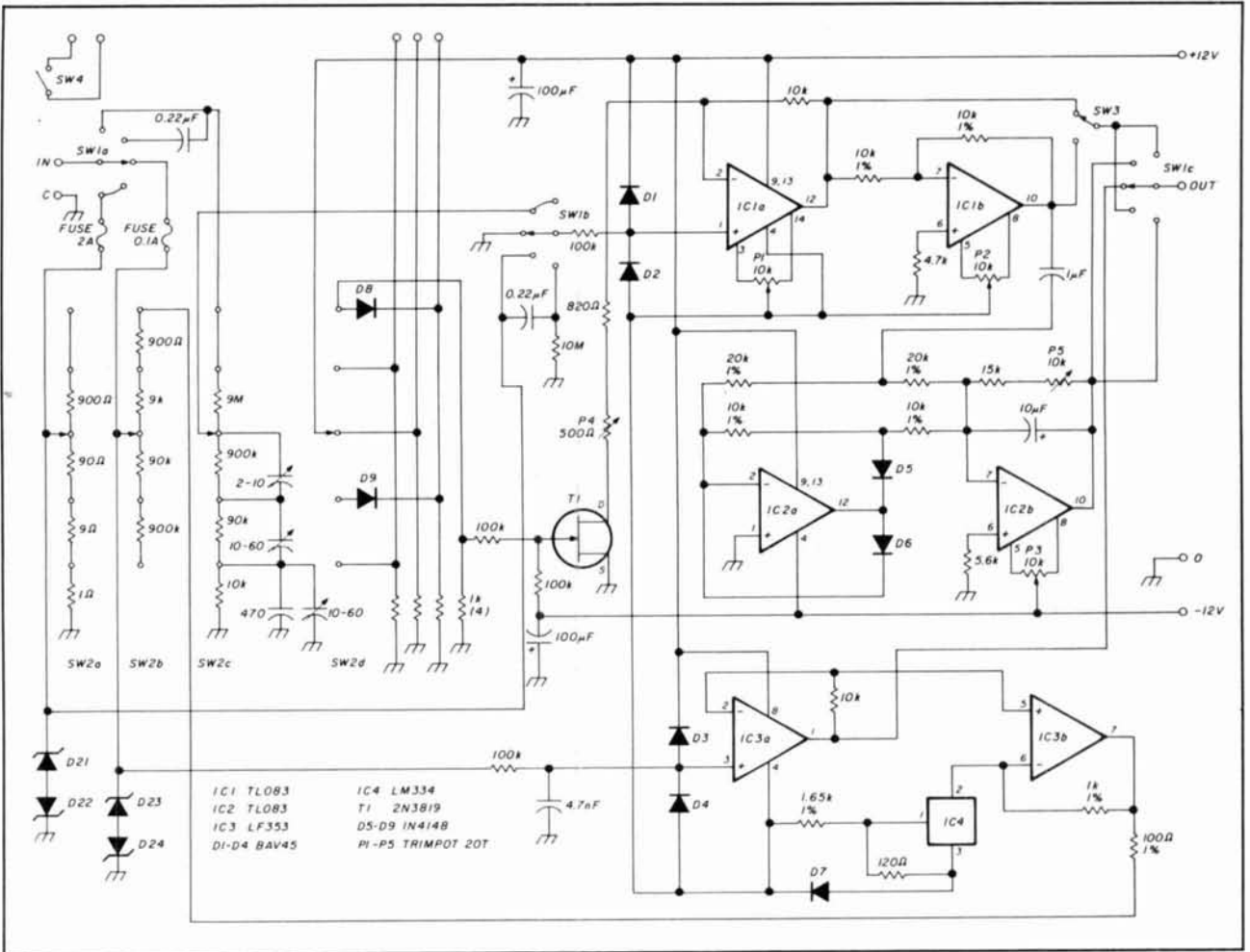
**HAM RADIO**

GREENVILLE, NH 03048

**BOOKSTORE**

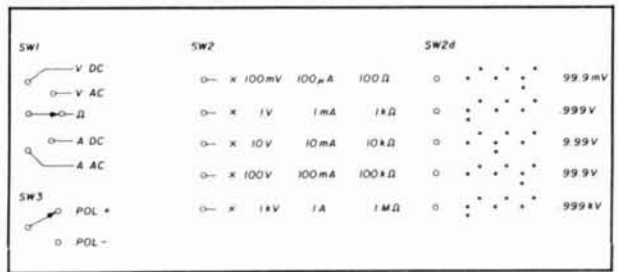
(603) 878-1441

**FIGURE 13**



DVM front end suitable for driving the DVM of fig. 9.

**FIGURE 13**



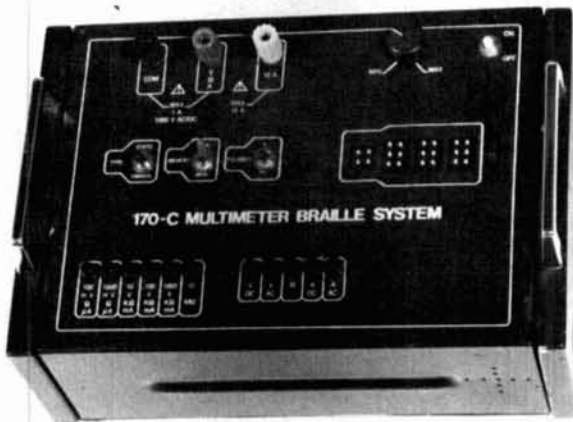
**References**

1. G.W. Horn, I4MK, "Reading Machines," *Electronica Oggi*, November 1981, pages 135-155.
2. I.C. Bliss, "Sensory Aids for the Blind—A Challenging Problem with Lessons for the Future," *proc. IEEE* Vol. 58 no. 2, December 1970, pages 1778-1897.
3. G.W. Horn, I4MK, "Braille Tactile Transducer—New Freedom for the Sightless," *QST*, December 1981, pages 45-47.
4. W. Horn Jr., "An Electronic Notebook for the Sightless," *Spirit of Enterprise*, The 1981 Rolex Award, Harrap Editors, London.
5. W. Horn Jr., "La Conversione di Codice BCD-Braille Negli Strumenti Digitali di Misura per Non-Vedenti," *Ham bit*, 1986, CDR Editor, Firenze.
6. J. Southway, "IC-Trio Converts 7-segment Code to Decimal," *Electronics*, November 28, 1974, page 113.

Article 1

**HAM RADIO**

**PHOTO C**



Braille DMM equipped with a row of four monostable transducers. Ranges: 0.1 V to kV 0.1 mA to 10 A DC/AC; 100 ohm to 10 meg. Reading mode: static/vibrating. Power supply: 220 Vac.

Manufactured by P.A.M., Pertegada (Udine, Italy)



**H**uge pileups, big city QRN, no spare parts, and a long way to anywhere. You probably couldn't find a better test of the new SB-1400 All-Mode Transceiver than Heath's expedition to Taipei in the Republic of China.

When working DX, you need sensitivity to dig for the weak ones, but still need dynamic range so the guy down the block doesn't clobber you in the middle of a QSO. Sure, the SB-1400 worked the S9 + 30 signals, but out of the pileups it also worked a number of stateside stations running 5 watts or less! And that's not bad for a short path distance of 7600 miles!

### SB-1400

#### A proven transceiver.

The technology that worked the world can work for you, too, in your own ham shack. The SB-1400 is a fully assembled all-band, all-mode (FM optional), continuous duty, 100-watt transceiver. It incorporates an impressive general coverage receiver with dual VFOs for split operation and 20 memories to store your favorite frequencies. The unit includes standard SSB filter plus a narrowband 500 Hz CW filter and wideband AM filter. It also

features clarifier (RIT), front panel AGC, noise blanker, all mode squelch, 20 dB attenuator, computer interface, and a clean, "operator preferred" front panel layout.

The transmitter's PA is cooled by a quiet, thermostatically controlled internal fan and is enclosed in its own diecast aluminum heat-sink chamber, which allows for full power operation in CW, SSB, FM and RTTY, AMTOR, SSTV, and Packet.

### Heath offers you more.

In addition to the SB-1400, Heath offers a full line of pre-assembled or build-it-yourself amateur radio equipment to completely outfit your ham shack or upgrade your system.

You can also prepare for your next exam (Novice, Technician, General, Advanced or Extra class) with Heath study courses.

Finally, as a Heath-equipped ham, you can get answers to your technical questions from our tech consultants, who are licensed ham operators, on the Heath Tech Assistance line.

For more information on the SB-1400 or Heath's complete line of amateur radio equipment, call for a FREE catalog: **1-800-44-HEATH**  
(1-800-444-3284)

Best to start with.  
Best to stay with.

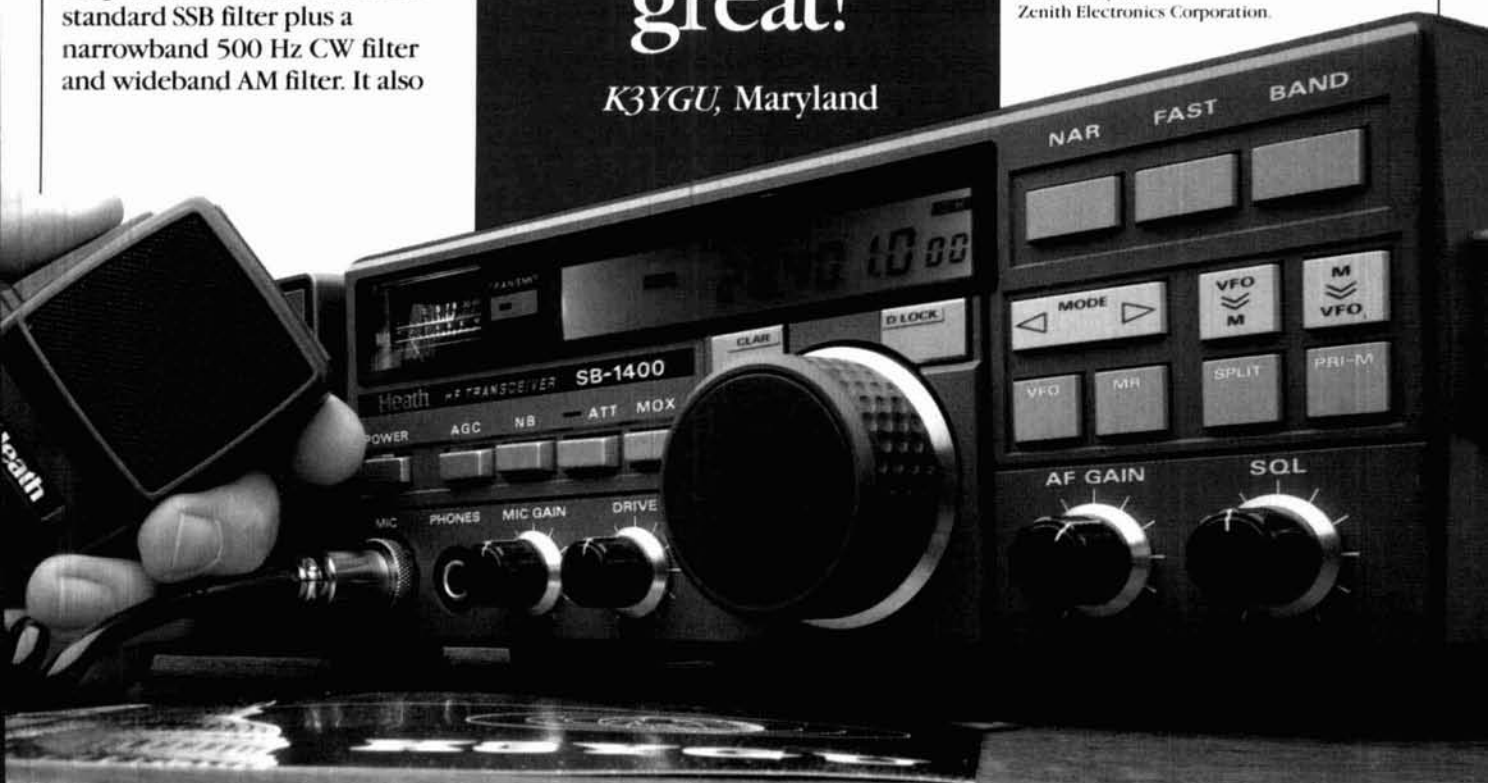
### Heath Company

Benton Harbor, Michigan 49022

©1989, Heath Company.  
A subsidiary of  
Zenith Electronics Corporation.

**"Thanks for  
the new  
country  
(Taiwan)!  
Your Heath  
gear sounds  
great!"**

*K3YGU, Maryland*



# NEW SUPER LONG PLAY TAPE RECORDERS

12 Hour Model — \$119.00\*  
USES D-120 TAPE

Modified Panasonic Slimline, high quality, AC-DC Recorders provide 6 continuous hours of quality recording & playback on each side of cassette for a total of 12 hours. Built-in features include:  
• Voice level control, • Digital counter, etc. TDK DC 120 Cassette Furnished.



## PHONE RECORDING ADAPTER

Records calls automatically. All Solid state connects to your telephone jack and tape recorder. Starts recording when phone is lifted. Stops when you hang up.



## VOX VOICE ACTIVATED CONTROL SWITCH

Solid state. Self contained. Adjustable sensitivity. Voices or other sounds automatically activate and control recorder. Uses either recorder or remote mike.



\*Add for ship & hdg. Phone Adapter & Vox \$1.50 ea. Recorders \$4.00 ea. Cal. Res. add tax. Mail order. VISA, MIC, COD's OK. Money Back Guarantee. Qty. disc. avail. Dealer Inquiries invited. Free data.  
AMC SALES INC. Dept H. 9335 Lubec St., Box 928, Downey, CA 90241 Phone (213) 869-8519

107

# TOWERS by ALUMA

HIGHEST QUALITY ALUMINUM

- TELESCOPING (CRANK-UP)
- GUYED (STACK-UP)
- TILT-OVER MODELS

Easy to install. Low Prices. Crank-ups to 100 feet.

EXCELLENT FOR AMATEUR COMMUNICATIONS

Over 36 types aluminum towers made—specials designed and manufactured—write for details

T-140  
40'  
Crank-Up  
Tower

T-40H  
40'  
Heavy  
Duty Ham  
Tower  
Crank-Up



Mobile Trailer Type



Mobile Truck Type

Roof Top Aluminum Type



**ALUMA TOWER CO.**  
BOX 2806HR  
VERO BEACH, FL 32961-2806  
(407) 567-3423 TELEX 80-3405  
FAX (407) 567-3432

188

EVERY ISSUE of

# HAM RADIO

now available on microfiche!

The entire run of *Ham Radio Magazine* (March, 1968 thru last year) is ready to ship to you in one, easy to use format.

Our 24x microfiche is easy to read and very compact. We offer a hand held reader for \$75, and a desk model for \$200. Libraries have these readers.

As a bonus, you will receive *Ham Radio Horizons* (3/77 thru 12/80) free.

Everything is included, front cover to back - ads too!

Annual updates will be offered for \$10.

Send \$185 payment (visa/mc accepted) to:

## BUCKMASTER

BUCKMASTER PUBLISHING

Route 3, Box 56

Mineral, Virginia 23117

703/894-5777 visa/mc 800/282-5628

# NUTS & VOLTS MAGAZINE

P.O. Box 1111-H  
PLACENTIA, CA 92670  
714-632-7721



- Ham Radio
- Computer Hardware
- Computer Software
- Plans-Kits
- Schematics
- Test Equipment
- CB Gear
- Satellite TV
- Video
- Components
- Antique Electronics
- Cable TV
- Publications
- Repairs-Services
- New Products
- Events Calendar

**IF YOU ARE INTO ELECTRONICS AND SAVING MONEY IS IMPORTANT TO YOU, THEN YOU OWE IT TO YOURSELF TO TRY NUTS & VOLTS MAGAZINE. DISCOVER WHY THOUSANDS OF SMART PEOPLE NATIONWIDE TURN TO NUTS & VOLTS EACH MONTH TO MEET THEIR ELECTRONIC NEEDS. WHETHER YOU'RE BUYING, SELLING, OR JUST TRYING TO LOCATE THOSE UNIQUE OR HARD-TO-FIND ITEMS, FIND OUT HOW NUTS & VOLTS CAN HELP!**

### SUBSCRIBE TODAY!

CHECK    MONEY ORDER    VISA    MC

Name \_\_\_\_\_

Address \_\_\_\_\_

City \_\_\_\_\_

State \_\_\_\_\_ Zip \_\_\_\_\_

Card No. \_\_\_\_\_ Exp. Date \_\_\_\_\_

CALL FOR ADVERTISING INFORMATION  
DISTRIBUTOR INQUIRIES INVITED

### Subscription Rates

U.S. FUNDS REQUIRED

#### 3rd Class Mail - USA

One Year . . . . . \$12.00  
Two Years . . . . . \$21.00  
Lifetime . . . . . \$60.00

#### 1st Class Mail

One Year - USA . . . \$20.00  
Canada & Mexico . . \$22.00

#### Air Mail

Foreign - 1 Year . . . \$55.00

Includes one FREE 40-word Classified Ad ✓ 149

*A National Publication For The Buying And Selling Of Electronic Equipment*

## MAGAZINE EVALUATION & SWEEPS ENTRY CARD

Here's YOUR chance to comment on this issue of HR and enter our monthly radio drawing. Carefully read all the articles in this issue. Then, rate each article in this issue. Also let us know what you think of our changes to the magazine. Each article is marked with a letter on the last page.

**WIN A  
BILL ORR  
Handbook**

Article	A	B	C	D	E	F	G	H	I	J	K	L	M	N	O	P	Q	R	S	T	
I LIKE IT																					
OK																					
SORRY, NO.																					

- Are you employed in the electronics industry:  Yes  No
- If so, what field:  RF  Digital  Analog  Computer
- Do you affect purchasing decisions for your company:  Yes  No
- Is Ham Radio:  too technical  just right  not technical enough

NAME \_\_\_\_\_ Class \_\_\_\_\_ Age \_\_\_\_\_  
 ADDRESS \_\_\_\_\_ License \_\_\_\_\_  
 CITY \_\_\_\_\_ STATE \_\_\_\_\_ ZIP \_\_\_\_\_

MAR. 89

Here's how.  
  
Please fill out the magazine evaluation card and mail it to us. We'll tabulate all the responses to see what you do and do not like.

There will be a drawing of evaluation cards. The person whose card is picked will win an Orr Handbook. Help us make the best Amateur magazine even better.

Also, each month the author of the most popular WEEKENDER will also be given a Bill Orr Handbook.



- One year 12 issues \$22.95  
 Two years 24 issues \$38.95  
 Three years 36 issues \$49.95

Subscribe to HAM RADIO today. Tap into Amateur Radio's #1 technical and building journal. You'll also save \$7.05 off the newsstand price (\$30 per year)! Fill out this card and mail it in.

For even more prompt service, call TOLL FREE (800) 341-1522, MasterCard, VISA and Bill Me orders accepted. Phone lines open Monday thru Friday 8 a.m. to 9 p.m. Please, *orders only.*

- Bill me  Payment enclosed

Name \_\_\_\_\_  
 Address \_\_\_\_\_  
 City \_\_\_\_\_ State \_\_\_\_\_

Check if this is a renewal MAR. 89

Please allow 4-6 weeks for delivery of first issue.  
**FOREIGN RATES:** Europe via Air Forwarding Service \$40 per year. All other countries \$31.00 per year.

## HAM RADIO Reader Service

For FREE literature or more information, first locate the company number at the bottom of the ad. Circle the appropriate number on this card, affix postage and drop into the mail. We'll hustle your request off to the companies you are interested in!

101 113 125 137 149 161 173 185 197 209 221 233 245 257 269 281 293 305 317 329 341  
 102 114 126 138 150 162 174 186 198 210 222 234 246 258 270 282 294 306 318 330 342  
 103 115 127 139 151 163 175 187 199 211 223 235 247 259 271 283 295 307 319 331 343  
 104 116 128 140 152 164 176 188 200 212 224 236 248 260 272 284 296 308 320 332 344  
 105 117 129 141 153 165 177 189 201 213 225 237 249 261 273 285 297 309 321 333 345  
 106 118 130 142 154 166 178 190 202 214 226 238 250 262 274 286 298 310 322 334 346  
 107 119 131 143 155 167 179 191 203 215 227 239 251 263 275 287 299 311 323 335 347  
 108 120 132 144 156 168 180 192 204 216 228 240 252 264 276 288 300 312 324 336 348  
 109 121 133 145 157 169 181 193 205 217 229 241 253 265 277 289 301 313 325 337 349  
 110 122 134 146 158 170 182 194 206 218 230 242 254 266 278 290 302 314 326 338 350  
 111 123 135 147 159 171 183 195 207 219 231 243 255 267 279 291 303 315 327 339  
 112 124 136 148 160 172 184 196 208 220 232 244 256 268 280 292 304 316 328 340

NAME \_\_\_\_\_ CALL \_\_\_\_\_  
 ADDRESS \_\_\_\_\_  
 CITY \_\_\_\_\_ STATE \_\_\_\_\_ ZIP \_\_\_\_\_

PLEASE USE BEFORE MAY 31, 1989

MARCH 1989

**HAM  
RADIO**

\_\_\_\_\_  
\_\_\_\_\_  
\_\_\_\_\_

AFFIX POSTAGE  
OR  
POST OFFICE  
WILL NOT  
DELIVER

# HAM RADIO

MAIN STREET  
GREENVILLE, N.H. 03048

*Please  
enter my  
subscription*



NO POSTAGE  
NECESSARY  
IF MAILED  
IN THE  
UNITED STATES

**BUSINESS REPLY CARD**  
First Class    Permit No. 1    Greenville, NH

Postage Will Be Paid By Addressee



# HAM RADIO

Greenville, NH 03048

\_\_\_\_\_  
\_\_\_\_\_  
\_\_\_\_\_

AFFIX POSTAGE  
OR  
POST OFFICE  
WILL NOT  
DELIVER

# HAM RADIO

READER SERVICE CENTER  
P.O. BOX 2558  
WOBURN, MASS. 01888

ATTN: Reader Service Dept.



# PRACTICALLY SPEAKING

Joe Carr, K4IPV

## RF wattmeters and antenna VSWR meters

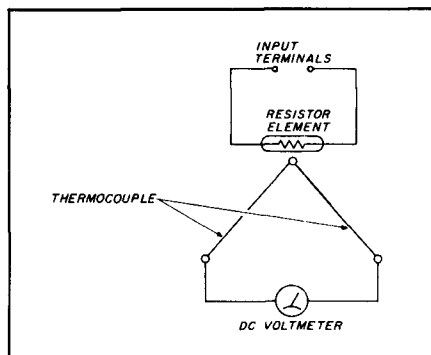
The RF power meter (or wattmeter) is a "must" for Amateurs. This instrument measures the output power of the transmitter, and displays the result in watts or some related unit. Antenna VSWR (voltage standing wave ratio) meters are closely related to the RF wattmeter. These instruments also examine the output of the transmitter, and give a relative indication of output power. They can be calibrated to display the dimensionless units of VSWR. Many modern instruments, which I'll discuss this month, combine both RF power and VSWR measurement capabilities.

## Measuring RF power

Measuring RF power has been notoriously difficult — except, perhaps, in the case of continuous wave (CW) sources that produce well-behaved sine waves. Even in that limited case, however, some measurement methods are distinctly better than others.

One of the earliest forms of practical RF power measurement was the thermocouple RF ammeter (see fig. 1). This instrument works by dissipating a small amount of power in a small resistance inside the meter, and then measuring the heat generated with a thermocouple. A DC current meter monitors the output of the thermocouple device, and indicates the level of current flowing in the heating ele-

FIGURE 1



Schematic representation of a thermocouple RF ammeter.

ment. Because it works on the basis of power dissipated heating a resistance, a thermocouple RF ammeter is inherently an RMS reading device. This feature makes it very useful for taking average power measurements. If you know the RMS current and the resistive component of the load impedance, and if the reactive component is zero or very low, then you can determine RF power from the expression:

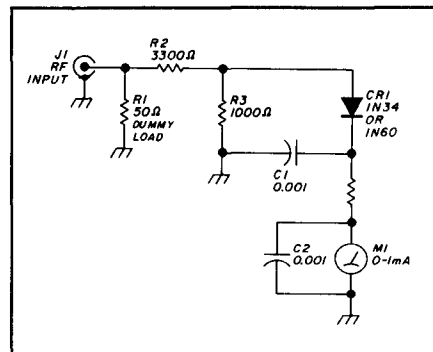
$$P = I^2 \times R_i \quad (1)$$

There is a significant problem that keeps thermocouple RF ammeters from being universally used in RF power measurement — they are highly frequency dependent. Even at low frequencies it's recommended that the meters be mounted on insulating material with at least 3/8-inch spacing between the meter and its metal cabi-

net. Despite that precaution, there's a strong frequency dependence that renders the meter less useful at higher frequencies. Some meters are advertised to operate into the low VHF region, but a note of caution is necessary. The recommendation requires a copy of the calibrated frequency response curve for that particular meter so that a correction factor can be added or subtracted from the reading. At 10 MHz and higher, the readings of the thermocouple RF ammeter must be taken with a certain amount of skepticism, unless the original calibration chart is available.

You can also check RF power by measuring the voltage across the load resistance (see fig. 2). In the circuit of fig. 2, the RF voltage appearing across the load is scaled downward to a level compatible with the voltmeter by resistor voltage divider R2/R3. The output

FIGURE 2



Schematic of a simple diode voltmeter used for measuring RF power of an unmodulated sinusoidal waveform.

## SYNTHESIZED SIGNAL GENERATOR

MADE IN USA



MODEL  
SG-100F  
\$429.95  
delivered

- Covers 100 MHz to 199.999 MHz in 1 kHz steps with thumbwheel dial
- Accuracy +/- 1 part per 10 million at all frequencies
- Internal FM adjustable from 0 to 100 kHz at a 1 kHz rate
- External FM input accepts tones or voice
- Spurs and noise at least 60 dB below carrier
- Output adjustable from 5-500 mV at 50 Ohms
- Operates on 12 Vdc @ 1/2 Amp
- Available for immediate delivery
- \$429.95 delivered
- Add-on accessories available to extend freq range, add infinite resolution, AM, and a precision 120 dB attenuator
- Call or write for details
- Phone in your order for fast COD shipment.

### VANGUARD LABS

196-23 Jamaica Ave., Hollis, NY 11423  
Phone: (718) 468-2720 Mon. thru Thu.

✓ 162

## PC HF FACSIMILE \$79.95

A complete facsimile reception system for your IBM PC or compatible. Receive grayscale images in up to 16 shades or pseudo color depending upon your graphics card and printer.

### Includes:

Demodulator Software 50 Page Manual Tutorial Cassette

### Requires:

HF receiver Graphics card PC with 320K Serial port



Software Systems Consulting  
1303 S. Olá Vista  
San Clemente, CA 92672  
(714) 498-5784

✓ 158

## U.S. AMATEUR RADIO MAIL LISTS

Labels, floppy disks, CD-ROM, mag tape.

- Newly licensed hams
- All upgrades
- Updated each week

### BUCKMASTER PUBLISHING

Route 3, Box 56  
Mineral, Virginia 23117  
703/894-5777 visa/mc 800/282-5628

✓ 116

of this divider is rectified by CR1, and filtered to DC by the action of capacitor C2.

The method of measuring the voltage in a simple diode voltmeter is valid only if the RF signal is unmodulated and has a sinusoidal waveshape. While these criteria are met in many transmitters, they aren't universal. If the voltmeter circuit is peak reading, as in **fig. 2**, then the peak power is:

$$P = (V_o^2)/R1 \quad (2)$$

The average power is then found by multiplying the peak power by 0.707. Some meter circuits include voltage dividers that precede the meter and thereby convert the reading to RMS, thus also converting the power to average power. Again, it must be stressed that terms like "RMS," "average," and "peak" have meaning only when the input RF signal is both unmodulated and sinusoidal. Otherwise, the readings are meaningless unless calibrated against some other source.

It's also possible to use various bridge methods to measure RF power. **Figure 3** shows a bridge set up to measure both forward and reverse power. (**Photo A** is a commercial version used for CB servicing.) This circuit was once popular for VSWR meters. There are four elements in this quasi-Wheatstone bridge circuit: R1,

## PHOTO A



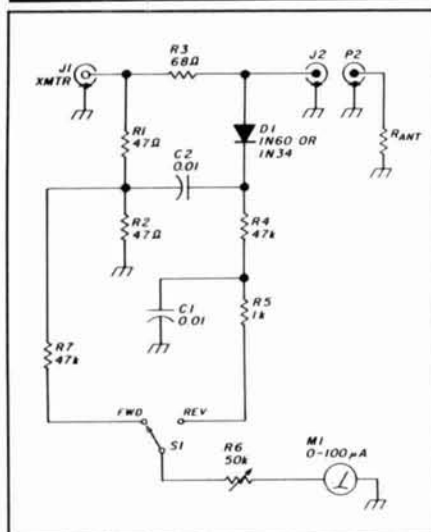
Commercial forward/reflected reading power meter.

R2, R3, and the antenna impedance (connected to the bridge at J2). If  $R_{ant}$  is the antenna resistance, we know that the bridge is in balance (the null condition) when the ratios  $R1/R2$  and  $R3/R_{ant}$  are equal. In an ideal situation, resistor R3 will have a resistance equal to  $R_{ant}$ , but that may severely limit the usefulness of the bridge. In some cases, the bridge will use a compromise value like 68 ohms for R3. A resistor of this type will be usable on both 50 and 75-ohm antenna systems with little error. Typically, these meters are designed to read the relative power level rather than the actual power.

This type of meter allows you to make an accurate measurement of VSWR by proper calibration. With the switch in the FORWARD position, and RF power applied to J1 ("XMTR"), potentiometer R6 is adjusted to produce a full-scale deflection on meter M1. When the switch is then set to the REVERSE position, the meter will read reverse power relative to the VSWR. An appropriate VSWR scale is provided.

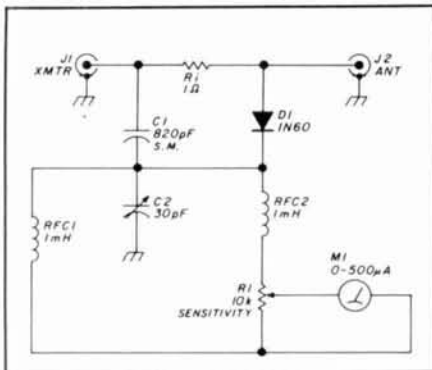
There is a significant problem with the bridge in **fig. 3**. It can't be left in the circuit during transmission because it dissipates a considerable amount of RF power in the internal resistances. These meters, during the time when they were popular, had switches that bypassed the bridge when transmitting. The bridge was only in the circuit when making a measurement.

FIGURE 3



VSWR bridge circuit for measuring both forward and reverse power.

**FIGURE 4**



An improved Micromatch circuit using a capacitor/resistor bridge circuit for power measurements.

**PHOTO B**



Micromatch forward/reflected reading power meter with three power scales.

An improved bridge circuit, the capacitor/resistor bridge, is shown in **fig. 4**. This circuit is called the "Micromatch" bridge. You can see immediately that the Micromatch is an improvement over the conventional bridge because it uses only 1 ohm in series with the line ( $R_1$ ). This resistor dissipates considerably less power than the resistance used in the previous example. Because of this low value resistance, you can leave the Micromatch in the line while transmitting. Recall that the ratios of the bridge arms must be equal for the null condition to occur. In this case, the capaci-

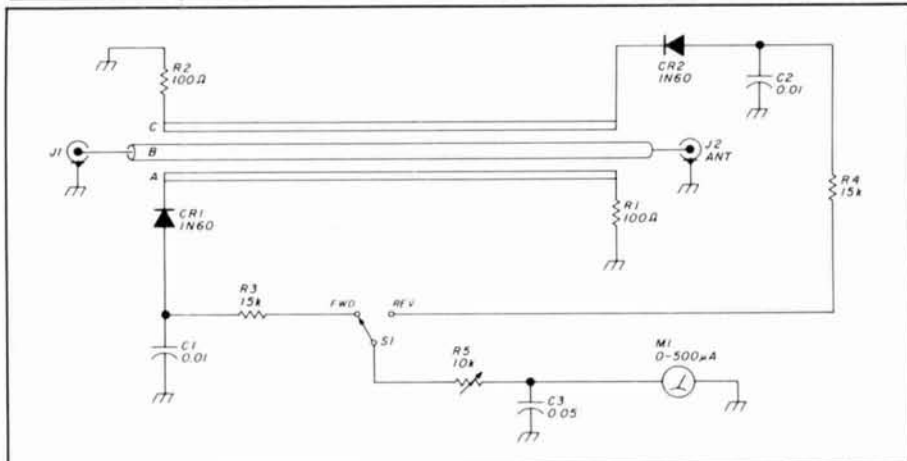
tive reactance ratio of  $C1/C2$  must match the resistance ratio  $R1/R_{ant}$ . For a 50-ohm antenna, the ratio is 1:50; for 75-ohm antennas it's 1:75 (or, for the compromise situation, 1:68). The small-value trimmer capacitor ( $C2$ ) must be adjusted for a reactance ratio with  $C1$  of 1:50, 1:75, or 1:68, depending upon how the bridge is set up.

The sensitivity control can be used to calibrate the meter. In one version of the Micromatch (shown in **photo B**) there are three power ranges — 10, 100, and 1000 watts. Each range has its own sensitivity control, and these are switched in and out of the circuit as needed.

The Monomatch bridge circuit in **fig. 5** is the instrument of choice for most HF and low VHF applications. In the Monomatch design, the transmission line is segment B; RF sampling elements are formed by segments A and C. Although the original designs were based on a coaxial cable sensor, later versions used either printed circuit foil transmission line segments or parallel brass rods for A, B, and C.

The sensor unit is basically a directional coupler with a detector element for both forward and reverse directions. For best accuracy diodes  $CR1$  and  $CR2$  should be matched, as should  $R1$  and  $R2$ . The resistance of  $R1$  and  $R2$  should match the transmission line surge impedance, although in many instruments a 68-ohm compromise resistance is used.

**FIGURE 5**



Schematic of the Monomatch bridge circuit using RF sampling.

**PHOTO C**



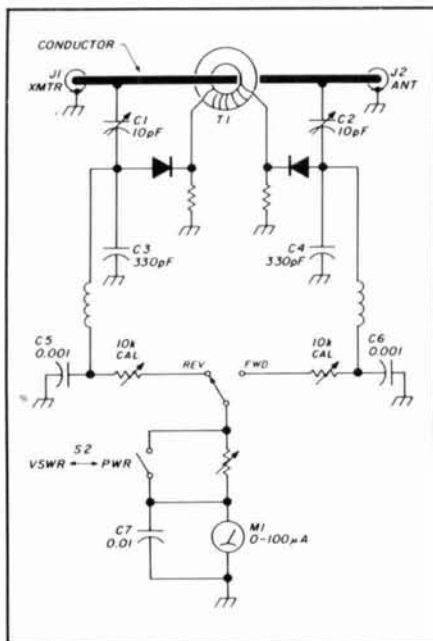
Midland forward/reflected reading power meter and VSWR meter combined in one housing.

The circuit shown in **fig. 5** uses a single DC meter movement to monitor the output power. Many modern designs use two meters (one each for forward and reverse power), as in **photo C**.

One of the latest designs in VSWR meter sensors is the current transformer assembly shown in **fig. 6**. In this instrument a single-turn ferrite-toroid transformer is used as the directional sensor. The transmission line passing through the hole in the toroid "doughnut" forms the primary winding of a broadband RF transformer. The secondary, which consists of 10 to 40 turns of small enamel wire, is connected to a measurement bridge circuit ( $C1 + C2 + \text{load}$ ) with a rectified DC output.

**Photo D** shows the Heath Model HM-102 high-frequency VSWR/Power meter. The sensor in the HM-102 is a variant of the current transformer

**FIGURE 6**



Schematic of the latest design for VSWR bridges using a current transformer made from a single-turn ferrite toroid acting as a directional sensor.

**PHOTO D**



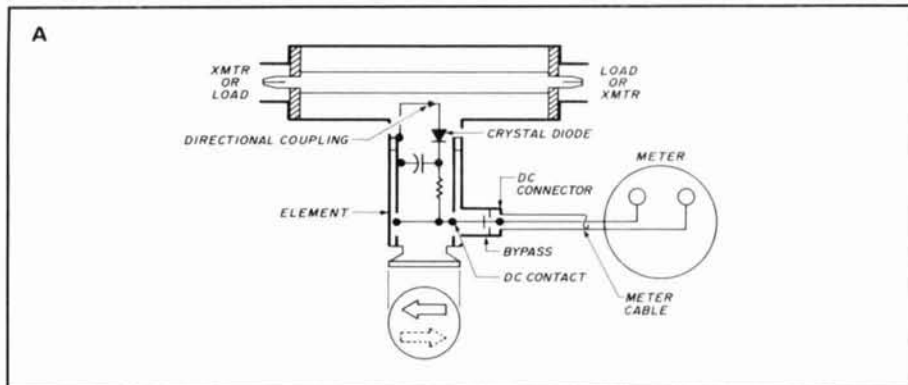
Heath combined power/VSWR meter with wired remote sensor.

**PHOTO E**



Bird ThruLine forward/reflected reading power meter.

**FIGURE 7**



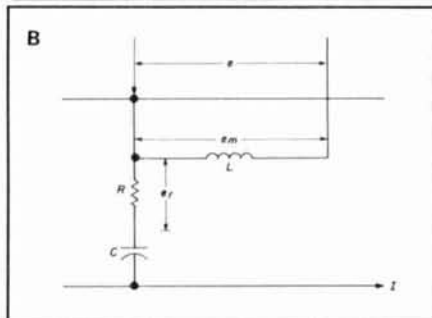
Detail of the directional coupler transmission line assembly used for ThruLine measurements.

method and L1 is the toroid transformer. This instrument measures both forward and reflected power, and can be calibrated to measure VSWR.

The Bird Model 43 ThruLine<sup>®</sup> RF wattmeter shown in **photo E** has been one of the industry standards in communications service work for years. Although it's slightly more expensive than lesser instruments, it's also versatile, accurate, and rugged. The ThruLine meter can be inserted into the transmission line of an antenna system with so little loss that it can be left permanently in the line during normal operations. The Model 43 ThruLine is popular with land-based mobile and marine radio technicians.

The heart of the ThruLine meter is the directional coupler transmission line assembly shown in **fig. 7A**. It is connected in series with the antenna or dummy load transmission line. The plug-in directional element can be rotated 180 degrees to measure both forward and reverse power levels. A sampling loop and diode detector are contained within each plug-in element. The main RF barrel is actually a special coaxial line segment with a 50-ohm characteristic impedance. The ThruLine sensor works because of mutual inductance between the sample loop and center conductor of the coaxial element. **Figure 7B** shows an equivalent circuit. The output voltage from the sampler (*e*) is the sum of two voltages, *e<sub>r</sub>* and *e<sub>m</sub>*. Voltage *e<sub>r</sub>* is created by the voltage divider action of *R* and

**FIGURE 7**



Equivalent circuit demonstrating the theory of operation for the ThruLine sensor.

*C* on transmission line voltage *E*. If *R* is much less than *X<sub>C</sub>*, then the expression for *e<sub>r</sub>* may be written

$$e_r = RE/X_C = RE(j\omega C) \quad (3)$$

Voltage *e<sub>m</sub>*, on the other hand, is due to mutual inductance and is expressed by

$$e_m = I(j\omega) \pm M \quad (4)$$

You now have the expression for both factors that contribute to the total voltage *e*. You know that

$$e = e_r + e_m \quad (5)$$

so, by substitution,

$$e = j\omega M((E/Z_0) \pm I) \quad (6)$$

By recognizing that, at any given point in a transmission line, *E* is the sum of the forward (*E<sub>f</sub>*) and reflected (*E<sub>r</sub>*) voltages, and that the line current is equal to

$$I = \frac{E_f}{Z_0} - \frac{E_r}{Z_0} \quad (7)$$

where *Z<sub>0</sub>* is the transmission line



impedance, you may specify  $e$  in the forms

$$e = \frac{j\omega M(2Ef)}{Z_0} \quad (8)$$

and

$$e = \frac{j\omega M(2Er)}{Z_0} \quad (9)$$

The output voltage  $e$  of the coupler, then, is proportional to the mutual inductance and frequency (by virtue of  $j\omega M$ ). But the manufacturer terminates  $R$  in a capacitive reactance, so the frequency dependence is lessened. Therefore, each element is custom calibrated for a specific frequency and power range. Beyond the specified range for any given element, however, performance isn't guaranteed. There are a large number of elements available that cover most Amateur Radio applications.

## Conclusion

The RF wattmeter, and/or its cousin the VSWR meter, are essential items in the Amateur Radio operator's bag of tricks. Both these instruments are used for adjusting antennas and testing the output of radio transmitters.

Article J

HAM RADIO

## Six Function DTMF Controller



Auto-Kall  
AK-4

- Outputs: 2 or 3 latched, 1 or 2 momentary, 1 timed and 1 manually reset group-call latched for remote alarm
- Different codes for turning outputs on/off **NOT** toggle on/off like most others! • Wrong number - reset
- 4-digit access code - can use up # down
- Multiple group-call response • On-board 1-amp relay

**MoTron Electronics**  
695 W. 21st Ave.  
Eugene, OR 97403  
Call Toll Free 1-800-338-9058 or (503) 687-2118

✓ 147

**N**ow receive or leave messages with other local hams using the 16K Bulletin Board featured on the smallest TNC available—the Heath® HK-21 Pocket Packet.

The BBS operates under your call with simple commands like Send or Write a message, Kill a message and read the File messages currently on the system. And the HK-21 Pocket Packet is fully TNC-2 compatible.

**Hookup is easy.**  
Plug in supplied cables instantly to most

HT's, or wire a separate cable into your mobile or base VHF or UHF rig. Connect your

computer via RS-232 and you're ready to call a fast-growing number of packet hams.

Get your message across... even when no one is listening.



A subsidiary of Zenith Electronics Corporation  
©1989, Heath Company

The HK-21 Pocket Packet requires only a single 12 VDC @ 40mA power source or as little as 29mA from an optional HKA-21-1, internally mounted 4.8 volt, 120 mAh, NICAD battery.

**The Heath® HK-21 Pocket Packet — \$219.95** (Amateur net price)  
To order, call 1-800-253-0570

For information on Heath's complete line of amateur radio products call 1-800-44-HEATH for your FREE Heathkit® catalog.

Best to start with.  
Best to stay with.

**Heath Company**  
Benton Harbor, MI 49022



**ICOM**



✓ 164



**VHF COMMUNICATIONS**

9:00 am - 5:30 pm  
weekdays

Weekends and evenings  
by appointment.

ICOM, AEA, LARSEN, VAN GORDEN, VIBROPLEX, NYE-VIKING, FALCON COMM, LEADING EDGE, ARRL PUBLICATIONS, KAGLO, HAMTRONICS, ETC.

280 Tiffany Avenue  
Jamestown, New York 14701

Western New York's finest... amateur radio dealer!  
PH. (716) 664-6345

## ATV CONVERTERS • HF LINEAR AMPLIFIERS

DISCOVER THE WORLD OF FAST SCAN TELEVISION



**AMATEUR TELEVISION CONVERTERS**  
ATV2 420-450 \$44.95 Kit  
ATV3 420-450 [GaAs-FET] \$49.95 Kit  
ATV4 902-928 [GaAs-FET] \$59.95 Kit

**AUDIO SQUELCH CONTROL for ATV**  
SIL \$39.95 Kit

**2 METER VHF AMPLIFIERS**  
35 Watt Model 335A \$79.95 Kit  
75 Watt Model 875A \$119.95 Kit  
Available in kit or wired and tested

**HF AMPLIFIERS per MOTOROLA BULLETINS**

Complete Parts List for HF Amplifiers Described in the MOTOROLA Bulletins  
AN758 300W \$160.70 EB63 140W \$88.65  
AN762 140W \$93.25 EB27A 300W \$139.20  
AN779 20W \$83.79 EB104 600W \$448.15

**NEW!! 300 WATT 10-150 MHz Amplifier**

**POWER SPLITTERS and COMBINERS**  
(2-30MHz) \$59.95  
600 Watt 2-Port \$69.95  
1200 Watt 4-Port \$69.95

**100W 420-450 MHz PUSH-PULL LINEAR AMPLIFIER — \$50-FM-ATV**  
KEB67-PK (Kit) \$129.95  
KEB67-PCB (PC Board) \$18.00  
KEB67-I (Manual) \$5.00

For detailed information and prices, call or write for our free catalog

**FERROXCUBE DEVICES**

VK200-20/40 RF Choke \$1.20  
56-590-65-3B Ferrite Bead \$1.20

**HEAT-SINK MATERIAL**

Model 99 Heat Sink (6.5x12x1.5) \$22.00  
CHS-6 Copper Spreader (6x1/4) \$18.00  
Add \$2.00 additional shipping

We also stock Hard-to-Find parts

CHIP CAPACITORS  
METAL LEAD MICA CAPACITORS  
RF POWER TRANSISTORS  
MRF141G \$209.20  
MRF151G \$186.80  
MINI-CIRCUIT MIXERS  
SBL-1 \$6.50  
SBL-1X \$7.95  
ARCO TRIMMER CAPACITORS

Add \$2.00 for shipping and handling



**CCI Communication Concepts Inc.**

508 Millstone Drive, Xenia, OH 45385 \* (513) 220-9677



✓ 119

**ATTENTION: WOMEN WHO SOUGHT EMPLOYMENT WITH THE VOICE OF AMERICA (VOA), THE UNITED STATES INFORMATION AGENCY (USIA), OR THE UNITED STATES INTERNATIONAL COMMUNICATION AGENCY (USICA) BETWEEN OCTOBER 8, 1974 AND NOVEMBER 16, 1984.**

**YOU MAY BE A VICTIM OF SEX DISCRIMINATION  
ENTITLED TO A MONETARY AWARD AND A POSITION WITH THE AGENCY.**

**UNITED STATES DISTRICT COURT FOR THE DISTRICT OF COLUMBIA**

CAROLEE BRADY HARTMAN, et al.,  
Plaintiffs,

v.

CHARLES Z. WICK,  
Defendant

Civil Action No. 77-2019  
Judge Charles R. Richey

**PUBLIC NOTICE**

On November 16, 1984, the United States District Court for the District of Columbia found in this class action lawsuit that the United States Information Agency (USIA or the Agency), including the Voice of America (VOA), is liable for sex discrimination against female applicants for the following positions at the Agency. The USIA was also formerly known as the United States International Communication Agency (USICA). On January 19, 1988, the Court issued its opinion ordering relief in a variety of forms to potential class members. Accordingly, this case is now in the remedial phase.

**JOBS COVERED**

Specifically, the Court has found that the Agency has discriminated against women in hiring in the following jobs:

- Electronic Technician (Occupational Series 856)
- Foreign Language Broadcaster (Occupational Series 1048)
- International Radio Broadcaster (Other) (Occupational Series 1001)
- International Radio Broadcaster (English) (Occupational Series 1001)
- Production Specialist (Occupational Series 1071)
- Writer/Editor (Occupational Series 1082)
- Foreign Information Specialist/Foreign Affairs Specialist/Foreign Service Information Officer/Foreign Service Officer (Occupational Series 1085 and 130)
- Radio Broadcast Technician (Occupational Series 3940)

**WHO IS INCLUDED**

All women who sought employment with the Agency in any of the jobs listed above between October 8, 1974 and November 16, 1984 and were not hired may be eligible for relief. Also included are those women who were discouraged from applying for these positions during that time period. Even those women subsequently hired by the Agency in some capacity may be entitled to participate in the remedial phase of this case.

Women who sought employment with the Agency as Foreign Service Officers or Foreign Service Information Officers may be eligible for different kinds of relief depending upon the date of application and whether they sought employment at the entry level or mid-level. Women who sought employment with the Agency as entry level Foreign Service Officers or Foreign Service Information Officers in the years 1974-1977 must use the procedure outlined below. Women who sought employment with the Agency as mid-level Foreign Service Officers or Foreign Service Information Officers in the years 1974-1984 must also use the procedure outlined below. However, women who sought employment with the Agency as entry level Foreign Service Officers or Foreign Service Information Officers in the years 1978-1984 cannot use the procedure outlined below, since the Court has ordered an alternative form of relief for them and selected women in this group will be notified individually as to their rights.

**RELIEF AVAILABLE AND HOW TO OBTAIN IT**

Relief available to class members may include a monetary award and/or priority consideration for a current position with the Agency. If you think you may be entitled to relief, you must obtain a claim form, complete it fully, and return it to counsel for the plaintiff class, Bruce A. Fredrickson, Esq., Webster & Fredrickson, 1819 H Street, N.W., Suite 300, Washington, D.C. 20006 (202/659-8515), postmarked no later than July 15, 1989.

You may obtain a claim form in person and/or in writing from several sources: counsel for the plaintiff class, whose address is listed above; in person from USIA, Front Lobby, 301-4th Street, S.W., Washington, D.C. (8:15am-5:00pm), Office of Personnel Management (OPM), Federal Job Information Center (First Floor, Room 1425), 1900 E Street, N.W., Washington, D.C. (8:30am-2:30pm), or from area OPM offices throughout the country; in writing, VOA-Hartman, P.O. Box 400, Washington, D.C. 20044. You should carefully consider all questions on the claim form, sign it, and return it to counsel for the plaintiffs. Do not, under any circumstances, return the claim form to the Judge, the Court or the Clerk of the Court. The Judge, the Court and the Clerk of the Court will not accept the claim forms and will not forward claim forms to plaintiffs' counsel.

**PROCESSING OF CLAIMS**

The process for handling claims has not been finally decided. Thus far, the Court has ordered that responding class members demonstrate their potential entitlement to relief at an individual hearing to be scheduled at a later date. However, the Court has reserved the right to reconsider this procedure in the event the number of claims filed makes this approach unmanageable.

Should individual hearings be used, you will be fully informed as to the date and time of your hearing. Moreover, you will be entitled to legal representation by counsel for the plaintiff class or his designee at no cost to you. Legal counsel will discuss your claim with you prior to your hearing, help you prepare your case and represent you at your hearing. You may, of course, retain your own attorney to represent you, if you so desire.

At the individual hearing, you will be asked to demonstrate your potential entitlement to relief by showing that you applied for one or more of the covered positions during the period October 8, 1974 and November 16, 1984 and that you were rejected, or that you were discouraged from applying. Evidence may be required in the form of testimony, documents, or both. Once you have demonstrated these facts, USIA is required to prove, by clear and convincing evidence, that you were not hired (for each position for which you applied) for a legitimate, non-discriminatory reason, such as failure to possess requisite qualifications. Should USIA make such a showing, you would then be entitled to demonstrate that the Agency's reason is merely a cover for sex discrimination or unworthy of belief.

Following the hearing, the Presiding Official will decide whether you are entitled to relief and, if so, what relief is appropriate. You may be entitled to wages and benefits you would have earned if you had been hired (back pay) from the date of your rejection until the date relief is approved. Under the law, back pay is offset by earnings you may have had during the period. In addition, you may be found to be entitled to front pay (that is, compensation into the future until an appropriate position is afforded you). Similarly, you may be found to be entitled to priority consideration for employment with the Agency. If hired, you may further be entitled to retroactive seniority with the associated benefits and the value of any promotions you would likely have had if you had not suffered discrimination.

**REQUIRED STEPS TO FILE YOUR CLAIM**

To participate in the remedial phase, you must fully complete the claim form and return it, POSTMARKED NO LATER THAN July 15, 1989, to counsel for the plaintiff class. Your failure to do so will result in your losing all rights you may have in this lawsuit. If you have questions about your rights or procedures available to you, you may contact counsel for the plaintiff class:

Bruce A. Fredrickson  
Webster & Fredrickson  
1819 H Street, N.W., Suite 300  
Washington, D.C. 20006  
(202/659-8515)

October 4, 1988

Date

/s/ Judge Charles R. Richey

United States District Court  
Judge Charles R. Richey

# A SIMPLE PROM PROGRAMMER

An easy alternative  
for entering  
short programs

By Michael Moore, WV6A, 2221 West Manly Avenue, Santa Ana, California 92704

**P**rogrammable Read Only Memories (PROMs) are devices used in circuits requiring a pattern of "ones and zeros" in a specific sequence. One use is to store computer programs; another is to store a sequence of digital numbers accessible by a counter attached to the memory address lines. In this way, you can make a counter circuit that generates a sequence like 1, 2, 3, 4, etc. output the sequence 5, 9, 4, etc. This is useful for doing operations like code conversion. (I have seen an example of International Morse Code being converted to upper case ASCII.)

In the September 1988 issue of *Ham Radio*<sup>1</sup>, I demonstrated how to use a PROM in a DTMF signaling circuit. I built the circuit to monitor the output of a 2-meter handie-talkie radio for DTMF tones so that I could receive signals from other operators without having to stay glued to the radio. The circuit converts the tones it hears into a digital code and compares this code with one I've stored in a PROM. After the circuit finds a match, it increments a counter that addresses the PROM, readying it for the next DTMF tone comparison. When there are four valid compares, an alarm lets me know that somebody who has my four-digit code is trying to reach me.

## About the PROM

The circuit used a DM74S287 manufactured by National Semiconductor Corporation. It's one of a family of devices featuring titanium-tungsten (Ti:W)

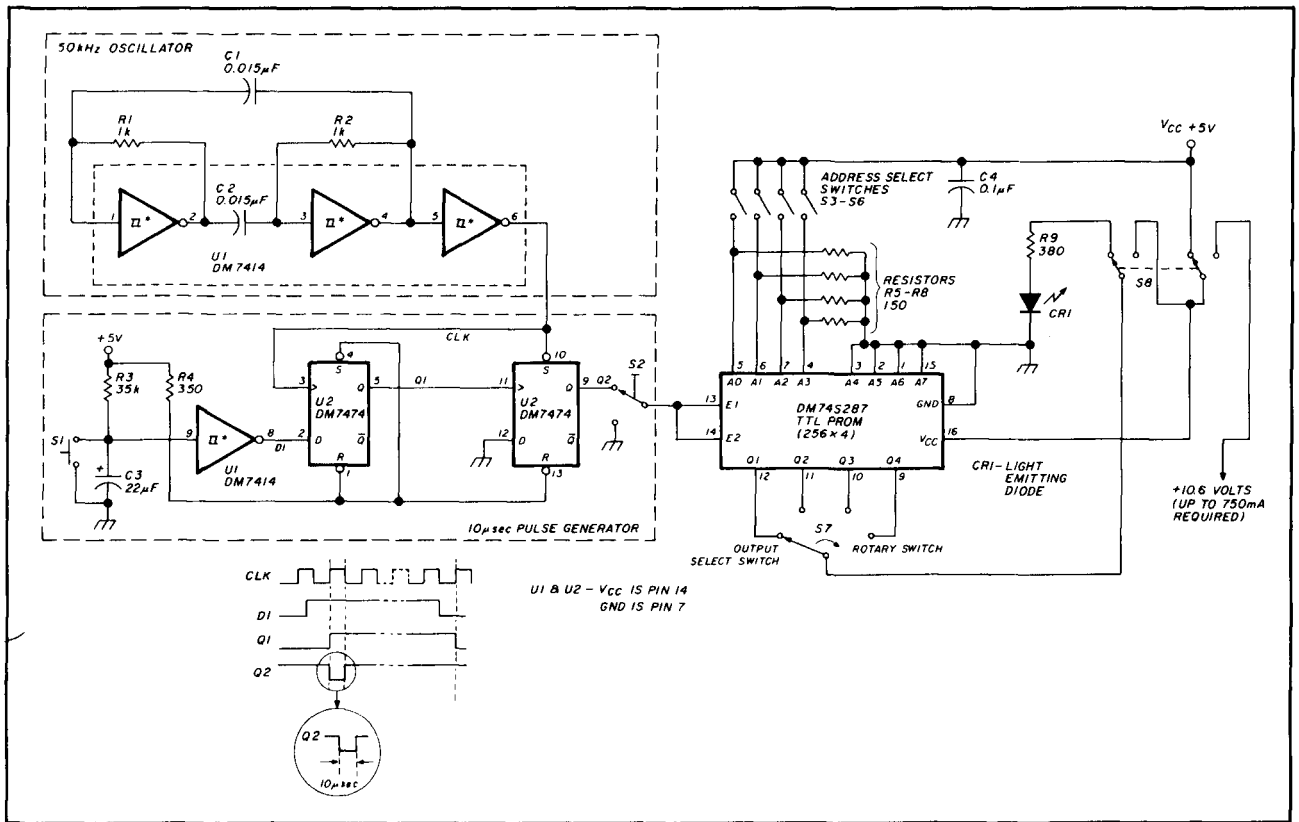
fuse links designed to "blow" when 10.5 volts is applied across them. The PROMs are shipped from the factory with all fuses intact; this produces lows (zeros) in all locations. You can program a high level into any location by following the programming instructions to blow that fuse. This is an irreversible procedure — once a fuse is blown it will always produce a high at that location. (A fuse left intact can always be blown later.)

The DM74S287 memory is organized as 256 words, each 4 bits long. Two enable lines control the device's output. When the PROM is enabled, the outputs represent the contents of the word selected by its address line states. There are eight address lines allowing for 256 combinations, or one combination for each 4-bit word. When the enable lines are high (disabled) the outputs revert to "off," or high-impedance state.

Don't confuse these PROMS with erasable programmable read only memories (EPROMs) or electrically erasable PROMs (EEPROMs). EPROMs have special circuits allowing the memory contents, once programmed, to be erased when ultraviolet light is applied through a quartz window in the top of the package. Once erased, it can be reprogrammed. The EEPROM is erased when certain high voltage levels are applied to specific pins.

There are several manufacturers of fusible-link PROMs; Texas Instruments and Advanced Micro Devices are two. These manufacturers use different

**FIGURE 1**



The schematic for the PROM programmer.

materials for their fuses, making the requirements to burn out the fuses different. To circumvent this problem, commercial PROM programming machines use "personality modules." They reconfigure the programmer so that the programming is done using the original PROM manufacturer's instructions. Failure to specify the manufacturer to these PROM programming machines can result in a failed programming operation or a failed PROM.

The PROM programmer is simple to construct and can manually blow the few locations required for National Semiconductor Corporation's DM74S287 PROM. I built the whole thing on a breadboard and tore it down later to do another project. I've since built several other signaling devices and had to rebuild the programmer. It's now housed in a small plastic box complete with a light-emitting diode (LED), address selection switches, mode switch, programming switches, and a socket for the PROM. External leads supply the voltages required.

### Programming the PROM

The manufacturer's instructions indicate that programming should be done between 15 and 30 degrees Celsius. Address and enable inputs can only be driven with TTL logic levels during programming

and verification. To program the device, select the word to be programmed using the address select switches. These switches, depending on their setting, put either a high or a low on the four least significant address bits. (I only had to program six locations for the DTMF decoder, so it was possible to hard wire the four most significant address lines to zero). Next, disable the programmer by applying a high level to one or both of the "active low" chip enable inputs.

Now apply 10.5 volts to both Vcc and the output to be programmed. Do this simultaneously, or to Vcc first and then the output. (You'll incur damage if the output sees the 10.5 volts before Vcc). It's *critical* that only one output at a time is programmed, because the internal circuits can supply programming current up to only 750 mA at a time. You must leave outputs not being programmed open or connected to a high impedance source of 20 k minimum. To continue, enable the device briefly with a low level pulse of 10 (minimum 9 and maximum of 11) µS; this should blow the selected fuse. Now verify the programming by returning Vcc to 5 volts, connecting the output to a LED, and re-enabling the device. If the bit was not programmed, repeat the operation — up to 10 times, according to the manufacturer. (I've yet to do this more than four times.) The manufacturer recommends

that, once you've done your verification, five additional programming pulses should be applied to the bit being programmed. This completes the programming for that bit. Move on to the next one and repeat the process until programming is completed.

The circuit shown in **fig. 1** uses two Schmitt trigger inverters of a single DM7414 (this package contains six inverters) with feedback to produce a simple 50-kHz oscillator. A third inverter squares up the resulting output. Simple inverters like those in the DM7404 will also work. But the frequency of oscillation is less dependent on the supply voltage when you use the DM7414 because of the built-in hysteresis. If you have access to an oscilloscope or frequency counter you can adjust the values of C1, C2, R1, and R2 to obtain a good square wave with a 20- $\mu$ s period measured on pin 6 of U1. I've experimented with several DM7414 and DM5414 (the military versions of the DM7414s), as well as several examples of resistors at 1 k and several 0.015- $\mu$ F capacitors, and the frequency I observed was pretty close to the 50 kHz. The time during which the output is at a high level (10  $\mu$ s) is the length of the programming pulse generated by U2.

If you can't get hold of an oscilloscope or other timing device, a good alternative would be a substitute oscillator using a 100-kHz crystal. Divide it by 2 to produce a clock of 50 kHz with a 50-percent duty cycle, so that the low-level excursion is 10  $\mu$ s. You can do this with a DM7474 D-type flip-flop with the inverting output wired back to the D input and the oscillator output applied to the D flip-flop's clock input.

The pulse generator uses another of the Schmitt trigger inverters with C3 and R3 to debounce the pulse from the momentary push button switch S1. This activates the two D-type flip-flops of U2, which is clocked from the oscillator to produce the 10- $\mu$ s PROM enabling pulse. Switch S2 is a momentary push button switch, used to select between the 10- $\mu$ s pulse for programming or continuous enabling during the verification phase. The released position of this switch should select the pulse generator output, with continuous PROM enabling only when the switch is held down. In the held-down position it enables the PROM so that the outputs can be displayed on the LED.

Switches S3 through S6 are the address selection switches. You can add more if necessary to program more words of the PROM. S7 is a rotary-type switch that selects the output bit to be programmed. Switch S8 is a double-pole switch — one pole selects the power supply voltage to the Vcc pin (16) of the PROM; the other either directs 10.5 volts to the output, or outputs the PROM itself to the LED.

The resistor at R4 pulls up the unused inputs of U2; R9 is a current-limiting resistor for the LED. Capacitor C4 is a Vcc decoupling capacitor and should be located as close to the oscillator U1 as possible.

## Example of a programming operation

Suppose you want to insert the code 0100 (decimal 4) at memory location 5. Close the switches controlling address selection for the A3 and A0 inputs of the PROM (for a high level), and set A2 and A1 open. Next, set S8 to direct the PROM output to the LED and the Vcc to be at 5 volts. Call this the "verify" position. Depress switch S2 to enable the PROM (the "display" position). Rotating S7 through each of the four output positions should show that all outputs are low; that is, the LED will remain off. Now select output Q3 with S7, and S2 is released — ready for the PROM to be enabled from the pulse generator. Only after S2 has been released can you move S8 to the programming position, by selecting the 10.5 volts to the output pin and Vcc pin, respectively.

Depress and release the momentary pushbutton switch, S1; this enables the PROM for 10  $\mu$ s. Then return switch S8 to the verify position and push S2 to display the output. If the bit was programmed correctly the LED will light. If it does, release S2 and then return S8 to the programming position — in that order. Depress push button switch S1 five more times in succession. If the bit fails to program on the first attempt, you can repeat the sequence of switch settings. Remember, however, to ensure that S2 is never in the display position (depressed when S8 is in the programming position).

To generate the power supplies I used four NiCd batteries in series. Together they produce about 4.8 volts for the nominal 5-volt supply and a variable power supply set to 10.5 volts for the programming supply. I used a multimeter to adjust this to within 0.5 volt. If a variable power supply is not available, connecting seven 1.5-volt alkaline cells in series will work. Remember that this supply should be capable of delivering **750 mA** during the 10- $\mu$ s programming pulse.

For fused PROMs made by other manufacturers the same principles hold; however, each specifies differing voltage levels during longer or shorter programming pulses. Changing the values of C1, C2, R1, and R2 will vary the oscillator frequency up to about 10 MHz. This gives you some idea as to the range of pulses that can be produced. When blowing a PROM it's best to make a careful list of each bit that you need to change to a high level and methodically work your way through them. I don't recommend trying to blow a PROM for a large computer program in this fashion — but for simple uses like code converters, or for the DTMF tone signaling circuit, it works very well and doesn't take long to put together.

## References

I. Michael S.R. Moore, WV6A, "A DTMF Tone Signaling Circuit," *Ham Radio*, September 1988, page 42.

Article K

HAM RADIO

## PACKET PRICE BREAK! FOR COMMODORE 64/128 USERS

### Full HF and VHF Packet Operation

- Multi-connects
- True store and forward digipeating
- Remote access of station
- Mini-BBS/Personal Mailbox
- Plus much more . . .

Featured in 73 Magazine, August 1988

Parts kit with PC board ..... \$49.95

Assembled/tested unit ..... \$79.95

Uses 7910 chip - no alignment required

(Both include FREE Digicom 64 software)

Terms: To order send check or M.O. Add \$2.50 shipping (USA). SASE for information.

**BARRY KUTNER, W2UP**

614-B Palmer Lane  
Yardley, PA 19067

✓ 189

## R-4C Enhancements

AMP-4, PD-4, Replacement PC Boards

Front-Panel 6-Position AGC / Filter Switch

Plug-in Second I-F Accessory Filters

CF-1.7K/8, Sharp SSB. Better than FL-1500.

CF-1.0K/8, Wide CW. Super scanning filter.

CF-500/8, Standard-bandwidth CW.

CF-250/8, Low-loss, narrow-bandwidth CW.

Switchable First I-F Filter Solutions

CF-2K/8, Sharp Filter Pair for Contests and DX.

CF-5K/8, First I-F Replacement.

CF-600/6, The Ultimate CW Upgrade!

### Sherwood Engineering Inc.

1268 South Ogden Street, Denver, CO 80210  
(303) 722-2257 Monday - Friday 9 A.M. - 5 P.M.

Sales, Service & Installations from:

Design Electronics Ohio, KN8Z  
(614) 836-5711 Days, (614) 836-3376 Evenings

LTA Industries, K3LR  
(412) 528-9302, or (216) 533-7916

**NEW OSCAR**

**BRIDGES HAMISPHERE**

- Coming soon to a shack near you.
- Signals from space.
- Catch some free.
- We know how.
- You can too!
- Join AMSAT
- Free brochure for SASE

**AMSAT**  
PO BOX 27  
WASHINGTON, DC 20044

✓ 109

## HUGE SHORTWAVE CATALOG

- Communications Receivers
- Portable Receivers
- Antennas & Headphones
- Tuners, Preamps and Filters
- VHF-UHF Receivers
- Radioteletype Equipment
- Facsimile Equipment
- Books & Accessories

Send  
\$1 to  
☞

**Universal Radio**

1280 Aida Drive Dept. HR  
Reynoldsburg, OH 43068

## HI-PERFORMANCE DIPOLES

Antennas that work! Custom assembled to your center freq. ea. band - advise ht. of center and each end - hang as inverted 'V' - horizontal, vert. dipole, sloping dipole - commercial quality - stainless hardware - legal power - no-trap, high-efficiency design - Personal check, MO or C.O.D. (B3)

MPD-5*	80-40-20-15-10M max performance dipole 87' long	\$105ppd
MPD-2	80-40M max performance dipole, 85' long	95' \$66 ppd
HPD-3*	160-80-40M hi-performance dipole 113' long	\$79 ppd
SSD-8*	160-80-40-20-15-10M space saver dipole 71' long	\$125 ppd
SSD-5*	80-40-20-15-10M space-saver dipole-specify L. 42' \$105 52' \$108 ppd	
SSD-4*	80-40-20-15M space-saver dipole-specify L. 46' \$93 60' \$ 96 ppd	

\*9-bands with wide-matching-range tuner.

SASE for catalogue of 30 dipoles, slopers, and space-saving, unique antennas

W9INN ANTENNAS  
312-394-3414 BOX 393 MT. PROSPECT, IL 60056

✓ 165

## "ONLINE" U.S. CALL DIRECTORY

Hamcall service gives you all hams via your computer & modem. Updated each month! Only \$29.95 per year. Unlimited use - you pay for phone call.

**BUCKMASTER PUBLISHING**

Route 3, Box 56

Mineral, Virginia 23117

703/894-5777 visa/mc 800/282-5628

✓ 117

Tell 'em you saw it in HAM RADIO!

WE SHIP WORLDWIDE

# Barry Electronics Corp.

WORLD WIDE AMATEUR RADIO SINCE 1950  
Your one source for all Radio Equipment!

For the best buys in town call:  
**212-925-7000**  
Los Precios Mas Bajos en Nueva York  
**WE SHIP WORLDWIDE!**



**"March into BIG SPRING SAVINGS at BARRY'S"**

See you March 5th—WECA, Valhalla, NY

**KITTY SAYS: WE ARE NOW OPEN 7 DAYS A WEEK.  
Saturday & Sunday 10 to 5 P.M.**

Monday-Friday 9 to 6:30 PM Thurs. to 8 PM  
Come to Barry's for the best buys in town.



ONV Safety belts-in stock

**YAESU**

FT-767GX, FT-757GXII, FT-747GX,  
FRG-8800, FT-736, FRG-9600,  
FT-4700RH, FT 212/712RH.

YAESU  
FT-23/73/33/727R  
FT411-811  
FT-1903/1123  
FTH-2005/7005

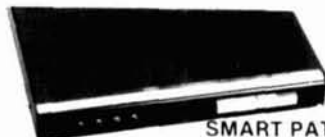
ICOM  
IC2AT/12AT  
IC02AT/32AT  
IC2/4GAT  
IC-A2/U16

Landmobile HT's  
ICOM U16, H16, V100, U400  
MAXON, MOTOROLA,  
YAESU FTH 2005/2007  
UNIDEN, REGENCY, KING, TAD  
MARINE ICOM M5, M55, M700  
AVIATION ICOM A20 H T



**ICOM**

IC-R71A, 751A, 781, 28A/H, 38A, 48A, Micro2/4,  
R-7000, IC-761, IC-375A, 275A/H, 3210A, 475A/  
H, 735, IC-900, IC-228H, IC448A, IC725



**SMART PATCH**

CES Simplex Autopatch 510 SA Will Patch FM  
Transceiver To Your Telephone Great For  
Telephone Calls From Mobile To Base Simple  
To Use. 510SA/510SAII

## KENWOOD



### Antennas

A.S. AES, Cushcraft, Hy-Gain,  
Hustler, KLM, METZ, Mosley,  
MODUBLOX, TONNA, Butternut

TS440S/AT, R-5000, R-2000, TS-940 S/AT, TM  
221A/421A, TM-2570A/50A/30A, TR-751A, Ken-  
wood Service Repair, TM-721A, TS-711/811A,  
TM3530A, TH205AT, TH215A, TM-621A, TM-  
321A, TS140S, TS680S, RZ-1, TS-790A.

**Budwig ANT. Products**  
NEL-TECH DVK-100 Digital Voice Keyer  
**FLUKE 77 Multimeter**

Media Mentors—  
Amateur Radio Course \$99.95

VoCom/Mirage/Alinco  
Tokyo Hy-Power/TE SYSTEMS  
**Amplifiers &**

5/8 λ HT Gain  
**Antennas IN STOCK**

MICROLOG-ART 1, Air Disk,  
SWL, Morse Coach  
**Soldering Station 48 Watts \$68.**



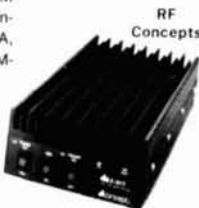
**METRON MA-1000 B STOCKED**

EIMAC  
3-500Z  
572B, 6JS6C  
12BY7A &  
6146B

AEA 144 MHz  
AEA 220 MHz  
AEA 440 MHz  
**ANTENNAS**

BIRD  
Wattmeters &  
Elements  
In Stock

AR 900 Hand Held Scanner 100  
ch. Covers 27-54, 108-174,  
406-512, 800-950 MHz \$299



RF  
Concepts



ALINCO  
DJ-500T, DR-110T

FREQUENCY  
COUNTERS:  
1MHz-1.3GHz  
\$169.95

COMMERCIAL  
& HAM  
REPEATERS  
STOCKED.  
WRITE FOR  
QUOTES

KANTRONICS  
UTU, KAM, UTU-XT,  
KPC 2400, KPC IV,  
KAM



Computer Interfaces  
Stocked: MFJ-1270B  
MFJ-1274, MFJ-1224, AEA  
PK-88, MFJ-127B, PK-232  
WIFAX.

**MOTOROLA AUTHORIZED DEALER  
KACHINA COMMUNICATIONS DEALER**

### SHORTWAVE RECEIVERS STOCKED

DIGITAL FREQUENCY COUNTERS  
Optoelectronics model 1300H, 0-1300MHz

Long-range Wireless  
Telephone for export in stock

**BENCHER PADDLES,  
BALUNS, LOW PASS FILTERS  
IN STOCK**

MIRAGE AMPLIFIERS  
ASTRON POWER SUPPLIES  
Saxton Wire & Cable, Int'l Wire



**SANGEAN Portable Shortwave Radios**



New TEN-TEC  
Corsair II, PARAGON,  
OMNI V

**AMERITRON AUTHORIZED DEALER**

Ten-Tec  
Tuner 229B

**MFJ-989C**

PRIVATE PATCH V, Duplex 8000

**TUNERS STOCKED:  
NYE MBV-A 3 Killowatt Tuner**



COMET ANTENNAS  
STOCKED

HEIL  
EQUIPMENT  
IN STOCK

Hy-Gain Towers  
& Antennas, and  
Rotors will be  
shipped direct to  
you FREE of  
shipping cost!

IIIX Towers, Antennas,  
Mobile Radio mounts  
stocked. Call!

MAIL ALL ORDERS TO: BARRY ELECTRONICS CORP., 512 BROADWAY, NEW YORK CITY, NY 10012 (FOUR BLOCKS NORTH OF CANAL ST.)

## New York City's LARGEST STOCKING HAM DEALER COMPLETE REPAIR LAB ON PREMISES

**"Aqui Se Habla Espanol"**

BARRY INTERNATIONAL TELEX 12-7670  
MERCHANDISE TAKEN ON CONSIGNMENT  
FOR TOP PRICES

Monday-Friday 9 A.M. to 6:30 P.M. Thursday to 8 P.M.  
Saturday & Sunday 10 A.M. to 5 P.M. (Free Parking)

IRT/LEX—"Spring St. Station". Subways: BMT-  
"Prince St. Station", IND-"F" Train-Bwy Station"

Bus: Broadway #6 to Spring St. Path-9th St./6th Ave.  
Station.

COMMERCIAL RADIOS  
STOCKED: ICOM, Motoro-  
la, MAXON, Standard,  
Yaesu. We serve munic-  
ipalities, businesses, Civil  
Defense, etc. Portables,  
mobiles, bases, re-  
peaters...

ALL  
SALES  
FINAL

We Stock: AEA, ARRL, Alinco, Ameco, Ameritron, Antenna Specialists,  
Astac, Astron, B&K, B&W, Bencher, Bird, Butternut, CDE, CES, Cushcraft,  
Daiwa, Eimac, Henry, Heil, Hustler, Hy-Gain, Icom, KLM, Kantronics, Larsen,  
MJF, J.W. Miller, Mirage, Nye, Palomar, RF Products, Saxton, Shure,  
Tempo, Ten-Tec, TUBES, Yaesu, Vibroplex, Duplexers, Repeaters, Scan-  
ners, Radio Publications, Uniden, Kenwood, Maxon, RFC.

**WE NOW STOCK COMMERCIAL COMMUNICATIONS SYSTEMS**  
HAM DEALER INQUIRES INVITED PHONE IN YOUR ORDER & BE REIMBURSED  
**COMMERCIAL RADIOS stocked & serviced on premises.**  
Amateur Radio Courses Given On Our Premises, Call  
**Export Orders Shipped Immediately. TELEX 12-7670**

**FAX: 212-925-7001**



## New gear for the satellite communicator.

The Kenwood TS-790A covers 144, 450, and 1200 MHz with enhancements like Doppler shift compensation for the VHF, UHF, and satellite "power user." Automatic Lock Tuning (ALT) on 1200 MHz eliminates frequency drift. Power output is 45 watts on 144 MHz, 40 watts on 450 MHz, and 10 watts on 1200 MHz. (The 1200-MHz section is an optional module.) The TS-790A is pending FCC approval.



TS-790A features include:

- High stability VFO.
- 59 multi-function memory channels.
- Operation on 13.8 Vdc.
- Multiple scanning and scan stop functions.
- 500-Hz CW filter built in.
- Interference reduction controls.
- Packet radio terminal.
- CTCSS encoder built in.
- Mode switch confirmation of USB, LSB, CW, or FM selection with Morse Code.
- Dual Watch for reception of two bands at the same time.
- Automatic mode and automatic repeat off-set selection.
- Direct keyboard frequency entry.
- Voice synthesizer and computer control option.

The retail price of the TS-790A is \$1999.95. For more information contact Kenwood, 2201 E. Dominquez Street, Long Beach, California 90810.

## UAI-10 Universal Audio Interface

The Creative Control Products UAI-10 Universal Audio Interface board is a low cost, easy to interface repeater and link audio mixer featuring DTMF mute, and link monitor-mix control.

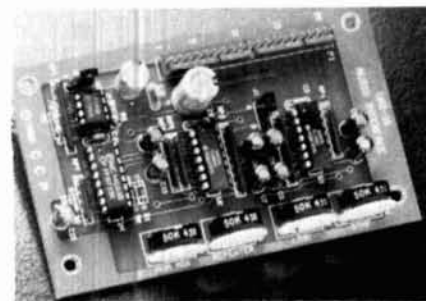
Audio inputs are: repeater, link, control receiver, CW-Tone, and an auxiliary input for other audio sources like a local microphone. Audio outputs are: repeater, link, and a DTMF output for the DTMF decoder on your controller. Each audio output is adjustable to the level required by your system.

Control inputs to the UAI-10 consist of repeater COS (which is selectable high or low), DTMF mute, and an auxiliary output from your controller for the link mute function.

The UAI-10 has provisions to mute the DTMF tones from the repeater transmit audio. The ability to mute or pass DTMF tones out the link transmit audio is provided via a jumper on the circuit board.

Normally full audio is present at the repeater transmitter audio output. Whenever the repeater COS is activated, both the repeater and link audio are mixed together resulting in the condition called Monitor-Mix. This monitor-mix audio is adjustable so that the link receiver audio can be lower in volume than the repeater receiver audio. Also, whenever the auxiliary control input is activated, the link receive audio will be completely muted upon repeater COS activity. Either mute or monitor-mix operation is selectable so that normal repeater receiver audio will not be overpowered by the link receiver's audio.

Each UAI-10 comes assembled and tested and carries a one-year warranty. The UAI-10, with manual is available for immediate shipment at an introductory price of \$44.00.



For more information on the UAI-10, contact Creative Control Products, 3185 Bunting Avenue, Grand Junction, Colorado, 81504 (303) 434-9405.

Circle #301 on Reader Service Card.

## New dealers announced

Kantronics, Inc. announces the appointment of Associated Radio of Overland Park, Kansas and Rivendale Electronics of Derry, New Hampshire as new Amateur dealers for the Kantronics line of Amateur Radio products.

For more information, please contact: Kantronics, Inc. 1202 E. 23rd Street, Lawrence, Kansas 66046.

## PC HF FAX facsimile reception system for IBM PC™ computers

Software Systems Consulting has announced a new way to receive facsimile information from HF SSB receivers using an IBM™ or compatible personal computer. The HF FAX system produces images with gray scale or color. The system contains everything you need to connect your computer and your HF receiver. It consists of an A/D demodulator cable, software, instruction manual, and tutorial tape cassette.

Minimum system requirements are: an HF SSB receiver; an IBM PC or true compatible; MS DOS 2.1 or higher; 384K RAM; a Hercules, CGA, or EGA video adapter card; and a serial port. A parallel printer and an audio cassette player are optional.

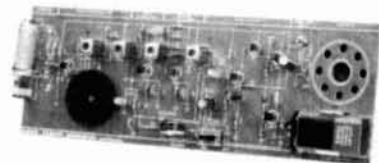
The PC HF FAX software is menu driven and has a tuning scope feature for FAX capture. The scan rate is variable to allow for the different types of FAX transmissions found on HF (ie., Weather FAX, news wire services, etc.). Once the parameters are set to match transmission rates to the computer's internal clock, the "auto mode" can be used to detect the beginning of a new transmission, capture it, and save to disk for future use.

PC HF FAX sells for \$79.95, and is available from Software Systems Consulting, Amateur Radio Group, 1303 S. Ola Vista, San Clemente, California 92672.

Circle #302 on Reader Service Card.

## "Super heterodyne" receiver

The Elenco Superhet 550 AM Radio Kit is a "super heterodyne" receiver of standard AM (amplitude modulated) broadcast frequencies. It uses seven transistors. The Superhet 550 lets you place parts over their corresponding symbols in the schematic drawing on the surface of the printed circuit board during assembly. This maximizes the learning process and keeps the chances of assembly error at a minimum.



An assembly, lesson, and theory of operation manual is included. Priced at \$19.95, the Superhet 550 makes an excellent project for classroom studies.

For additional information contact Elenco Electronics, Inc., 150 West Carpenter Avenue, Wheeling, Illinois 60090.

Circle #303 on Reader Service Card.





# ICOM

# KENWOOD YAESU



**IC-781**

HF Equipment	List	Juns
IC-781 New Deluxe HF Rig	\$5995.00	Call \$
IC-761 Loaded With Extras	2699.00	Call \$
IC-735 Gen. Cvg Xcvr	1099.00	Call \$
IC-751A Gen. Cvg Xcvr	1699.00	Call \$
IC-725 New Ultra-Compact Xcvr	949.00	Call \$
IC-575A 10m/6m Xcvr	1399.00	Call \$
Receivers		
IC-R7000 25-1300 - MHz Rcvr	1199.00	Call \$
IC-R71A 100 kHz-30 MHz Rcvr	999.00	Call \$
VHF		
IC-228A New 25w Mobile	509.00	Call \$
IC-228H New 45w Mobile	539.00	Call \$
IC-275A All Mode Base w/PS	1299.00	Call \$
IC-275H All Mode Base 100w	1399.00	Call \$
IC-28A FM Mobile 25w	469.00	Call \$
IC-28H FM Mobile 45w	499.00	Call \$
IC-2GAT, New 7w HT	429.95	Call \$
IC-02AT FM HT, HP	409.00	Call \$
IC-900 Six Band Mobile	639.00	Call \$
UHF		
IC-475A All Mode 25w	1399.00	Call \$
IC-475H All Mode 75w	1599.00	Call \$
IC-48A FM Mobile 25w	509.00	Call \$
IC-4GAT, New 6w HT	449.95	Call \$
IC-4AT FM HT	349.00	Call \$
IC-04AT FM HT	449.00	Call \$
IC-448A, 25w Mobile	TBA	Call \$
IC-3200A FM 2m/70cm 25w	649.00	Call \$
IC-32AT Dual Band Handheld	629.95	Call \$
IC-3210 Dual Band Mobile	739.00	Call \$
220 MHz		
IC-375A All-Mode, 25w, Base Sta.	1399.00	Call \$
IC-38A 25w FM Xcvr	489.00	Call \$
IC-37A FM Mobile 25w	499.00	Call \$
IC-3AT FM HT	349.00	Call \$
IC-03AT Deluxe HT	449.00	Call \$
1.2 GHz		
IC-12GAT Super HT	529.95	Call \$
IC-1271A All Mode 10w	1269.00	Call \$



**TS-940S**

HF Equipment	List	Juns
TS-940S/AT Gen. Cvg Xcvr	\$2499.95	Call \$
TS-440S/AT Gen. Cvg Xcvr	1449.95	Call \$
TS-140S Compact, Gen. Cvg Xcvr	949.95	Call \$
TS-680S HF Plus 6m Xcvr	1149.95	Call \$
TL-922A HF Amp	1649.95	Call \$
Receivers		
R-5000 100 kHz-30 MHz	1049.95	Call \$
R-2000 150 kHz-30 MHz	799.95	Call \$
RZ-1 Compact Scanning Rcvr.	599.95	Call \$
VHF		
TS-711A All Mode Base 25w	1059.95	Call \$
TR-751A All Mode Mobile 25w	669.95	Call \$
TM-221A Compact FM 45w	459.95	Call \$
TM-2530A FM Mobile 25w	499.95	Call \$
TM-2550A FM Mobile 45w	519.95	Call \$
TM-2570A FM Mobile 70w	623.95	Call \$
TH-215A, 2m HT Has It All	399.95	Call \$
TH-25AT 5w Pocket HT NEW	369.95	Call \$
TM-721A 2m/70cm, FM, Mobile	729.95	Call \$
TM-621 2m/220, FM, Mobile	729.95	Call \$
UHF		
TS-811A All Mode Base 25w	1,265.95	Call \$
TR-851A 25w SSB/FM	771.95	Call \$
TM-421A Compact FM 35w	469.95	Call \$
TH-415A 2.5w 440 HT	419.95	Call \$
TH-45AT 5w Pocket HT NEW	389.95	Call \$
TH-55 AT 1.2 GHz HT	524.95	Call \$
TM-521A Compact 1.2 GHz Mobile	599.95	Call \$
220 MHz		
TM-3530A FM 220 MHz 25w	519.95	Call \$
TH-31BT FM, 220 MHz HT	299.95	Call \$
TM-321A Compact 25w Mobile	469.95	Call \$
TH-315A Full Featured 2.5w HT	419.95	Call \$



**FT-767GX**

HF Equipment	List	Juns
FT-747 GX New Economical Performer	\$889.95	Call \$
FT-757 GX II Gen. Cvg Xcvr	1129.95	Call \$
FT-767 4 Band New	1929.00	Call \$
FL-7000 15m-160m Solid State Amp	1995.00	Call \$
Receivers		
FRG-8800 150 kHz - 30 MHz	759.95	Call \$
FRG-9600 60-905 MHz	699.95	Call \$
VHF		
FT-411 New 2m "Loaded" HT	399.95	Call \$
FT-212RH New 2m, 45w mobile	459.95	Call \$
FT-290R All Mode Portable	599.95	Call \$
FT-23 R/TT Mini HT	344.95	Call \$
UHF		
FT-712RH, 70cm, 35w mobile	499.95	Call \$
FT-711RH FM Mobile 35w	449.95	Call \$
FT-73 R/TT Mini HT	349.95	Call \$
FT-790R MKII FM/SSB, 25w	799.95	Call \$
FT-2311R 10w, 1.2 GHz, FM	559.95	Call \$
VHF/UHF Full Duplex		
FT-736R, New All Mode, 2m/70cm	1749.95	Call \$
FEX-736-50 6m, 10w Module	259.95	Call \$
FEX-736-220 220 MHz, 25w Module	279.95	Call \$
FEX-736-1.2 1.2 GHz, 10w Module	539.95	Call \$
FT-690R MKII, 6m, All Mode, port.	569.95	Call \$
Dual Bander		
FT-727R 2m/70cm HT	439.95	Call \$
FT-4700RH, 2m/440 Mobile	889.00	Call \$
220 MHz		
FT-33R, mini HT	389.95	Call \$
FT-109 RH New HT	399.95	Call \$
FT-312 RM, Mobile	TBA	Call \$
FT-311 RM Mobile	499.95	Call \$
Repeaters		
FTR-2410 2m Repeaters	1269.95	Call \$
FTR-5410 70cm Repeaters	1289.95	Call \$

**JUN'S ELECTRONICS**  
800-882-1343

**JUN'S BARGAIN BOX**  
OVERSTOCK SALE LIMITED QUANTITIES

ICOM	YAESU	KENWOOD
IC-03AT now \$269.95		TH-31BT SPECIAL
IC-3200A now \$479.95	FT109RH only \$239.95	TH-315A SALE
IC-04AT now \$369.95	FT-311RM only \$249.95	TM-321A PRICES
IC-4AT now \$259.95		

• AMATEUR • TWO WAY • MARINE • SE HABLA ESPANOL  
• Free U.P.S. Cash Order • (Most Items, Most Places)

**(213)390-8003** 3919 Sepulveda Blvd. Culver City, CA 90230

**UNIVERSAL BRIDGE**

ZM-30/URM-90 BRIDGE, military unit measures resistance 0.1 ohms to 11 megohms, capacitance 0.1 pf to 1100 mf, and inductance 0.1 uH to 1100 Hy. Range 0.1-10 KHz; with eye tube and galvanometer.



10.5x11.5x11, 23 lbs sh. Used-reparable .....\$90  
Checked .....\$125  
MANUAL .....\$10

Prices F.O.B. Lima, O. • VISA, MASTERCARD Accepted  
Allow for Shipping • Write for 1989 Catalog  
Address Dept. HR • Phone 419/227-6573

**FAIR RADIO SALES**  
1016 E. EUREKA • Box 1105 • LIMA, OHIO • 45802



**Toroid Cores.  
Iron Powder  
& Ferrite.  
Ferrite Beads.  
Ferrite Rods.**

Free catalog and winding chart on request.

**PALOMAR ENGINEERS**

Box 455, Escondido, CA 92025  
Phone: (619) 747-3343

**THE ISOTRON**  
COMPACT ANTENNAS FROM 100-10 METERS

**NO TUNERS!  
NO RADIALS!  
NO RESISTORS!  
NO COMPROMISE!**  
THREE EXCELLENT REVIEWS JUST DON'T HAPPEN BY CHANCE.  
CALL US FOR A FREE CATALOGUE.

\*See review in Oct. '73, 1984  
\*Sept. '73, 1985 \*March '73, 1986

**NEW LOCATION!**  
**BILAL COMPANY**  
137 Manchester Dr.  
Florissant, Colo. 80816  
(719) 687-0650



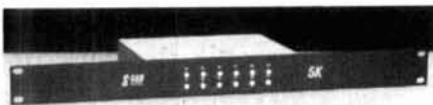
## New display cabinet option

S-COM Industries has a new display cabinet option for its 5K Repeater Controller. The cabinet may be retrofitted to any 5K controller without soldering or rewiring.

The display cabinet has a non-chipping black anodized front panel, white graphics, and hidden fasteners to eliminate unsightly screw heads and other hardware.

Large, red Hewlett-Packard ALGaAs LED lamps give circuit status data (i.e., Receiver COR, Transmitter PTT, CTCSS Decoder, Control Receiver COR, DTMF Data Valid, Power On, Logic Inputs 1, 2, 3, and Logic Outputs 1, 2, and 3). The LEDs feature high light output while consuming 1 mA each.

A conductive iridite-plated chassis box reduces RFI and houses the 5K board, display Board, and an optional Audio Delay Module.



The cabinet has cutouts for the 5K's power and input/output connectors, and uses PEM fasteners to eliminate nuts and standoffs. A ribbon cable assembly attaches to connectors located on the 5K and display boards for easy installation.

The assembled and tested display cabinet is priced at \$69 plus \$5 shipping and handling. A similar cabinet is available without the display feature. Contact S-Com Industries, P.O. Box 8921, Fort Collins, Colorado 80524. Telephone 303-493-8316.

Circle #304 on Reader Service Card.

NP1055

## New book explains different communication modes

Advanced Electronic Applications has just released its new publication for Radio Amateurs interested in digital communication, *Digital Communications With Amateur Radio*. It gives a basic understanding of many different communication modes, with major emphasis on packet

radio. The 160-page paperback uses dozens of illustrations to make difficult subjects easy to understand.

In addition to theoretical explanations, *Digital Communications With Amateur Radio* gives hands-on examples of computer-to-radio interfacing. This book is perfect for both the Radio Amateur and computer hobbyist.

AEA created this special book in cooperation with Master Publishing of Richardson, Texas. The original book was written for, and is available from, Radio Shack. The AEA book is available through AEA authorized dealers and *Ham Radio* Bookstore. This book is an excellent source of packet information most requested by Radio Amateurs. The suggested retail price is \$9.95 (plus \$3.50 shipping and handling from *Ham Radio* Bookstore).

For more information contact Advanced Electronic Applications, Inc., P.O. Box C2160, Bldg. O & P, 2006 196th SW, Lynnwood, Washington 98036-0918.

Circle #305 on Reader Service Card.

## New all-mode transceiver from Heath

Heath Company has introduced the SB-1400 All-Mode Transceiver. This new transceiver provides all-band, all-mode coverage and 100 watts of transmit power.

The SB-1400 is sold assembled at a suggested net price of \$799.95. (Product specifications and prices are subject to change without notice.)

Available accessories include: a 20-amp power supply with built-in speaker, an FM module, handheld microphone, mobile bracket, and a switching relay that may be required for some linear amplifiers.

The SB-1400 comes with after-sale support through the 70 Heath/Zenith stores in the U.S. and Canada, or direct from the factory. The transceiver also comes with an industry-recognized user's manual. To order the SB-1400, call toll-free 1-800-253-0570.



For a complete listing of products, write for the Heathkit catalog at: Heath Company, Department 350-036, Benton Harbor, Michigan 49022 or call toll-free 1-800-44-HEATH.

## New dealer and distributor announced

Kantronics, Inc. has appointed RJM of Boise, Idaho as a new dealer for the Kantronics line of Amateur Radio products and Morocom, Inc. of Alexandria, Virginia as a Kantronics distributor for countries like Peru, Bolivia, Ecuador, Columbia, and Mexico.

For more information, please contact: Kantronics, Inc. 1202 E 23rd Street, Lawrence, Kansas 66046.

## New full-function software package

The Amateur Radio Operating System (ARS), written by Ron Stange, WA4PYF, is a modular software system for IBM PC and compatibles. It is a full-function software package for both Novices and seasoned Amateur Radio operators.

ARS software is offered in functional modules. After purchasing the BASE module, you need only buy those modules that support your own field of interest.

The ARS base module can be ordered for \$39.95 to Fundamental Services, Dept R, 1546 Peaceful Lane N., Clearwater, Florida 34616. Florida residents add \$2.40 sales tax. Demonstration diskettes are available for \$10, discounted on the next purchase.

Dealer and distributor inquiries are invited.

## Yaesu USA creates design team of Amateur Radio operators

Yaesu USA invites Amateur Radio operators to apply for the company's special design advisory council. They will meet with Yaesu's management staff Wednesday, June 14 through Friday, June 16, 1989.

The operators will be asked what features they'd like to see in Amateur Radio equipment. Eleven applicants will be chosen — one from each call district and one at Dayton HamVention '89. Yaesu will fly those selected to Southern California. The team will stay at the Disneyland Hotel, tour the Jet Propulsion Laboratory, and receive passes to Disneyland.

The first ten members will be chosen from applications postmarked by April 7, 1989. The last team member will be selected from applications turned in by April 29 at the Yaesu booth at HamVention '89 in Dayton, Ohio.

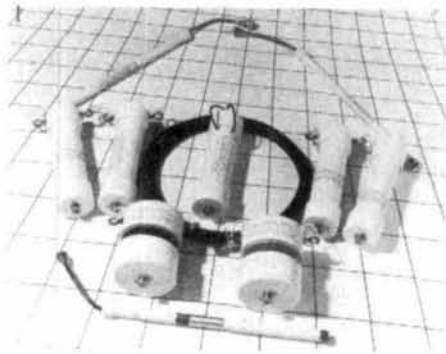
For more information or to obtain an application form, call (800) 999-2070, or write to Yaesu Council, Yaesu USA, 17210 Edwards Road, Cerritos, California 90701.



## New, comprehensive, balun line

The RADIO WORKS has announced its comprehensive new balun line.

Three models have 4:1 ratios. The B4-1.5K is a general purpose, 80 to 10 meter, ferrite balun. The B4-2K is a wide-band, L-C compensated, ferrite-toroid balun. The B4-2KX is a twin toroid core, L-C compensated design with good output balance and wide operating bandwidth. The power rating is well beyond the legal limit. All models have exceptional electrical specifications, output balance and very high transmission line isolation.



There are 5 models in the 1:1 balun line. The three "C-series" baluns are designed for retrofit applications in wire antennas and beams from 160 through 10 meters. The C1-2K is a 50-ohm low-loss balun; the C75-2K and the C75-4K are 75-ohm models. All have unusually high transmission line isolation and excellent output balance.

The B1-2K and B1-4K are suitable for use with wire antennas of all types. They are "current-type," wide-band, low-loss designs.

The RemoteBalun™ and a Line Isolator™ are two special models. The 4K-LI Line Isolator is useful for preventing RF current from entering the ham shack and causing RF feedback problems. The 4K-LI is available in 50 and 75 ohm models.

The RADIO WORKS RemoteBalun solves the problem of getting open-wire or ladder-line into the ham shack. The RemoteBalun is mounted outside where it connects to the antenna's ladder-line or open-wire transmission line. A short length of special, low-loss, coaxial cable connects the RemoteBalun to your transmatch.

All RADIO WORKS baluns feature rugged cases. Soldered internal connections, and leads are brought outside the case for direct connec-

tion to the antenna wire. Each balun is completely potted. Prices begin at \$15.95.

For more information write: The Radio Works at Box 6159, Portsmouth, Virginia 23703. An catalog featuring a wide selection of wire antennas, parts, accessories is available.

Circle #306 on Reader Service Card.

NP1080

## Self-learning package makes it easy to upgrade

Radio Shack's new General Class-FCC License Preparation package contains everything you need to upgrade from Technician to General Class.

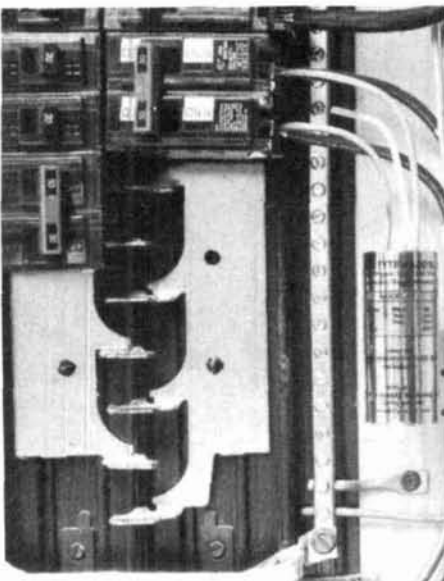
Included are:

- Examination test questions and answers
- Two code tapes for speed building from 5-13 wpm
- Explanation of correct test answers
- Helpful study hints
- FCC form 610 application
- ARRL application

Published by Master Publishing, the New General Class package is available in Radio Shack stores for \$19.95.

## Surge and lightning arresters

Tytwadd Power Filters manufactures eight models of UL listed secondary surge and lightning arresters for installation directly inside main or sub-distribution electrical panels. One unit, or unit series, connected into one side of any two or three-pole breaker protects the panel and the entire electrical environment of your premises from surges, spikes, and transients from a moderate 130 volts to lightning-induced surges developing 15,000 amps.



Tytwadd devices clamp in 1.5 nanoseconds, at less than 10 percent above the rated (or provided) voltage performance parameters. This lets them dissipate more moderate surges and spikes continuously.

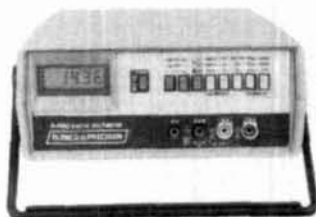
Tytwadd products are warranted for one year, with half-cost replacement thereafter.

For more information contact Tytwadd Power Filters, 704 W. Battlefield Road, Springfield, Missouri 65807.

Circle #307 on Reader Service Card.

## Versatile portable multimeter

The Elenco Digital Bench Multimeter Model M-4500 is a versatile 4-1/2 digit portable instrument for use in general electronics maintenance, production, and the laboratory. It has a built-in



battery pack providing 6,000 hours of continuous operation. It features 0.05 percent DCV accuracy, integrated circuit electronics, solid-state LCD display, and push-button switch selection. All VOM functions, plus the versatile diode test and high ohm-low ohm test functions, are standard. Each range has full auto-polarity operation and overrange indication. The meter uses the dual-slope integration measurement technique to insure noise-free measurements.

The unit is priced at \$250 and comes complete with operator's manual, test leads, and built-in battery pack. For more information contact Elenco Electronics, Inc., 150 West Carpenter Avenue, Wheeling, Illinois 60090.

Circle #308 on Reader Service Card.

## Callbook buys Radio School

Gordon West's Radio School has been purchased by Radio Amateur Callbook Inc. The Radio School is now part of the Callbook operation and the Callbook will handle all future order input and shipment of training courses and code tapes.

Gordon West will continue to develop additional upgrade training books and new code tapes.

Direct all orders and product inquiries to: Radio Amateur Callbook Inc., 925 Sherwood Drive, Box 247, Lake Bluff, Illinois 60044. Students needing to ask "Gordo" any questions

about training materials should write or call Gordon West, 2414 College Drive, Costa Mesa, California 92626, 714-549-5000.

Circle #309 on Reader Service Card.

## Multi-pair audio "snake" cable

Belden Wire and Cable has a new line of multi-pair audio "snake" cables with individually jacketed and shielded pairs for protection against signal loss. These cables interconnect audio components.

The audio cable series offers eight different pair constructions ranging from 4- to 32-conductor pairs. Each is individually shielded with Beldfoil® for 100-percent coverage against interference. Jacketed with PVC and insulated with polypropylene, this series has 22 AWG (7 x 30) stranded tinned copper conductors. The loose tube construction enables high flexibility. Inner jacketed pairs are numbered for identification.

Available from stock in 100, 250, 500, and 1000-foot put-ups, this audio cable line is priced at \$640 for 1000 feet of four-pair cable.



For more information or cable samples, contact Belden Wire and Cable, P.O. Box 1980, Richmond, Indiana, 47375.

Circle #310 on Reader Service Card.

## RZ-1 wide-band scanning receiver

The RZ-1 wide-band, scanning receiver covers 500 kHz—905 MHz in AM, and narrow or wide-band FM. The automatic mode selection function makes listening easy. The receiver features one hundred memory channels with message and band marker, direct keyboard or VFO frequency entry, and scanning functions like memory channel and band scan — with four types of scan stop. The RZ-1 is a 12-volt DC-operated, compact unit, with built-in speaker, front-mounted phones jack, switchable AGC, squelch for narrow FM, illuminated keys, and a "beeper" to confirm keyboard operation. The suggested retail price of the RZ-1 is \$599.95.



See your authorized Kenwood Amateur Radio dealer for more details, or contact Kenwood, 2201 E. Dominguez Street, Long Beach, California 90810.

## "Digalert" TNC message indicator

JComm has introduced an accessory for most popular TNCs to alert the operator visually if a message is waiting in the TNC's memory. This device plugs in series with your RS-232 cable with no modifications. When another station connects, an LED turns on and remains lit until you press the reset button on the front panel.

The "Digalert" is priced at \$25. To order, or for more information, write to JComm, P.O. Box 5647, Boise, Idaho 83705.

Circle #311 on Reader Service Card.

## Miniaturized gripper test connector

E-Z Hook has introduced the E-Z Micro Double Gripper Test Connector series.

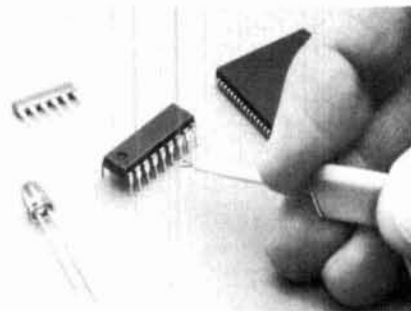
The Double Gripper XK series features a dual-contact blade assembly that opens and closes in a single extension step by depressing the unit's plunger. A gripping hook, built into the retractable stainless steel blades, provides secure, electrically continuous contact with the test object or other items. Both housing and plunger are molded of durable nylon.

The Double Gripper is 0.175" thick at its widest point. A probe-style tip, including the housing, measures only 2.125" long, and 0.525" high. The unit accepts 22 AWG test lead wire.

An assortment set of 10 individually color-coded XK Double Gripper units (part no. XK-S) is available, plus over 110 E-Z Micro Double Gripper Test Lead assemblies.

Complete specifications on the XK series, pricing, and all standard E-Z Hook products are available in a 112-page catalog. Contact E-Z Hook, Division Tektest, Inc., P.O. Box 450, 225 N. Second Avenue, Arcadia, California 91106-0450.

Circle #312 on Reader Service Card.



## RC-1000 repeater controller

Micro Computer Concepts has introduced the RC-1000 — a complete repeater controller with on-board interfacing for the receiver/transmitter. It also features an autopatch with direct-connect phone line for pulse or touch tone dialing, a remote base or tape player, CW ID, and complete control and user touch-tone codes. Six pots allow for independent adjustment of all audio interfaces between the repeater receiver, transmitter, and phone line.

The heart of the RC-1000 is an Intel 8751 microcomputer containing 4K of EPROM, 128 bytes of RAM, and 32 programmable I/O pins. You can control the RC-1000 through the repeater receiver, or phone line callin. Touch-tone decoding is performed by a Mitel 8870 single-chip DTMF decoder.

The complete controller is contained on one 5.3" x 3.6" pc board. It requires 12 volts DC or AC, with separate inputs for a battery and transformer. Diode isolation is provided permitting direct connect of a battery with automatic switching when AC power is lost.

The RC-1000 comes wired and tested for \$219.95. The price includes manuals and schematic. The unit is distributed by R&L Electronics, Hamilton, Ohio.

Circle #313 on Reader Service Card.

## High-speed 4800-baud modem

Hamilton and Area Packet Network (HAPN) has designed a plug-in 4800-baud modem for the TAPR TNC-1 and TNC-2 and many of its clones. This modem increases normal packet operation to four times the speed of the standard 1200-baud modem. Additional speed performance is achieved by a fast-acting modem squelch (about 15 mS).

The modem uses direct FM biphase modulation and doesn't require a randomizer or synchronization burst. There's no DC component in the encoded data, making it possible to use regular FM/PM synthesized or crystal-controlled voice radios. The required bandwidth is the same as for voice. The simple hookup to the radio's discriminator and modulator avoids the distortion normally caused by the mike preamplifier, limiter, emphasis, de-emphasis, and receive audio amplifier. Reliability is generally better than 1200-baud modems using the radio's mike and speaker connections. Radio voice operation isn't affected with the new interface installed.

The HAPN-T daughter board plugs into the external modem connector of the TNC. Its small size 9.5 x 7 cm (3.75 x 2.75 inches) allows it to be mounted inside almost any TNC. The power for the modem is taken from the +12 volts inside the TNC.



Ham Radio's guide to help you find your local

### California

**A-TECH ELECTRONICS**  
1033 HOLLYWOOD WAY  
BURBANK, CA 91505  
(818) 845-9203  
New Ham Store and Ready to Make a Deal!

**JUN'S ELECTRONICS**  
3919 SEPULVEDA BLVD.  
CULVER CITY, CA 90230  
213-390-8003  
800-882-1343 Trades  
Habla Espanol

### Colorado

**ALLIED APPLIANCE & RADIO**  
4253 SOUTH BROADWAY  
ENGLEWOOD, CO 80110  
(303) 761-7305  
Rocky Mts Amateur/Shortwave Specialists, Ten-Tec, Yaesu, JRC-NRD, Sony, MFJ, KLM, and other fine gear. New and used. Visa/MC. Antennas, books, discount prices too!

**COLORADO COMM CENTER**  
525 EAST 70th AVE.  
SUITE ONE WEST  
DENVER, CO 80220  
(303) 288-7373  
(800) 227-7373  
Stocking all major lines  
Kenwood Yaesu, Encomm, ICOM

### Connecticut

**HATRY ELECTRONICS**  
500 LEDYARD ST. (SOUTH)  
HARTFORD, CT 06114  
203-527-1881  
Call today. Friendly one-stop shopping at prices you can afford.

### Delaware

**AMATEUR & ADVANCED COMMUNICATIONS**  
3208 CONCORD PIKE  
WILMINGTON, DE 19803  
(302) 478-2757  
Delaware's Friendliest Ham Store.

**DELAWARE AMATEUR SUPPLY**  
71 MEADOW ROAD  
NEW CASTLE, DE 19720  
302-328-7728  
800-441-7008  
Icom, Ten-Tec, Microlog, Yaesu, Kenwood, Santec, KDK, and more.  
One mile off I-95, no sales tax.

### Florida

**AMATEUR ELECTRONIC SUPPLY**  
1898 DREW STREET  
CLEARWATER, FL 33575  
813-461-4267  
Clearwater Branch  
West Coast's only full service Amateur Radio Store.  
Hours M-F 9-5:30, Sat. 9-3

**AMATEUR ELECTRONIC SUPPLY**  
621 COMMONWEALTH AVE.  
ORLANDO, FL 32803  
305-894-3238  
Fla. Wats: 1 (800) 432-9424  
Outside Fla: 1 (800) 327-1917  
Hours M-F 9-5:30, Sat. 9-3

### Hawaii

**HONOLULU ELECTRONICS**  
819 KEEAUMOKU STREET  
HONOLULU, HI 96814  
(808) 949-5564  
Kenwood, ICOM, Yaesu, Hy-Gain, Cushcraft, AEA, KLM, Tri-Ex Towers, Fluke, Belden, Astron, etc.

### Idaho

**ROSS DISTRIBUTING COMPANY**  
78 SOUTH STATE STREET  
P.O. BOX 234  
PRESTON, ID 83263  
(208) 852-0830  
M 9-2; T-F 9-6; S 9-2  
Stock All Major Brands  
Over 7000 Ham Related Items on Hand

### Illinois

**ERICKSON COMMUNICATIONS, INC.**  
5456 N. MILWAUKEE AVE.  
CHICAGO, IL 60630  
312-631-5181  
Hours: 9:30-5:30 Mon, Tu, Wed & Fri;  
9:30-8:00 Thurs; 9:00-3:00 Sat.

### Indiana

**THE HAM STATION**  
220 N. FULTON AVE.  
EVANSVILLE, IN 47710  
(800) 523-7731  
(812) 422-0231  
ICOM, Yaesu, Ten-Tec, Cushcraft, Hy-Gain, AEA & others.

### Maryland

**MARYLAND RADIO CENTER**  
8576 LAURELDALE DRIVE  
LAUREL, MD 20707  
301-725-1212  
Kenwood, Ten-Tec, Kantronics. Full service dealer.  
M-F 10-7 SAT 9-5

### Massachusetts

**TEL-COM, INC.**  
675 GREAT ROAD, RTE. 119  
LITTLETON, MA 01460  
617-486-3400  
617-486-3040  
The Ham Store of New England  
You Can Rely On.

### Missouri

**MISSOURI RADIO CENTER**  
102 NW BUSINESS PARK LANE  
KANSAS CITY, MO 64150  
(800) 821-7323  
Missouri: (816) 741-8118  
ICOM, Kenwood, Yaesu  
Same day service, low prices.

### Nevada

**AMATEUR ELECTRONIC SUPPLY**  
1072 N. RANCHO DRIVE  
LAS VEGAS, NV 89106  
702-647-3114  
Dale Porray "Squeak," AD7K  
Outside Nev: 1 (800) 634-6227  
Hours M-F 9-5:30, Sat. 9-3

### New Hampshire

**RIVENDELL ELECTRONICS**  
8 LONDONDERRY ROAD  
DERRY, N. H. 03038  
603-434-5371  
Hours M-S 10-5; THURS 10-7  
Closed Sun/Holidays

**Dealers:** YOU SHOULD BE HERE TOO!  
Contact Ham Radio now for complete details.

## Amateur Radio Dealer

### New Jersey

#### ABARIS SYSTEMS

276 ORIENTAL PLACE  
LYNDHURST, NJ 07071  
201-939-0015  
Don WB2GPU  
ARRL, Astatic, Astron, B&W, Belden,  
Bencher, Hustler, Kenwood, Larsen, RF  
Concepts, Tonna and much, much more!  
Tues-Fri 10 am-7:30 pm  
Thurs 10 am-9:00 pm  
Sat 10 am-4:00 pm  
VISA/MC

#### KJI ELECTRONICS

66 SKYTOP ROAD  
CEDAR GROVE, NJ 07009  
(201) 239-4389  
Gene K2KJI  
Maryann K2RVH  
Distributor of: KLM, Mirage, ICOM, Lar-  
sen, Lunar, Astron. Wholesale - retail.

### New York

#### BARRY ELECTRONICS

512 BROADWAY  
NEW YORK, NY 10012  
212-925-7000  
New York City's Largest Full Service  
Ham and Commercial Radio Store.

#### VHF COMMUNICATIONS

280 TIFFANY AVENUE  
JAMESTOWN, NY 14701  
716-664-6345  
Call after 7 PM and save! Supplying all  
of your Amateur needs. Featuring ICOM  
"The World System." Western New  
York's finest Amateur dealer.

### Ohio

#### AMATEUR ELECTRONIC SUPPLY

28940 EUCLID AVE.  
WICKLIFFE, OH 44092 (Cleveland Area)  
216-585-7388  
Ohio Wats: 1 (800) 362-0290  
Outside Ohio: 1 (800) 321-3594  
Hours M-F 9-5:30, Sat. 9-3

#### DEBCO ELECTRONICS, INC.

3931 EDWARDS RD.  
CINCINNATI, OHIO 45209  
(513) 531-4499  
Mon-Sat 10AM-9PM  
Sun 12-6PM  
We buy and sell all types of electronic  
parts.

#### UNIVERSAL AMATEUR RADIO, INC.

1280 AIDA DRIVE  
REYNOLDSBURG (COLUMBUS), OH  
43068  
614-866-4267  
Featuring Kenwood, Yaesu, Icom,  
and other fine gear. Factory author-  
ized sales and service. Shortwave  
specialists. Near I-270 and airport.

### Pennsylvania

#### HAMTRONICS, DIV. OF TREVOSE ELECTRONICS

4033 BROWNSVILLE ROAD  
TREVOSE, PA 19047  
215-357-1400  
Same Location for over 30 Years

### Texas

#### MADISON ELECTRONICS SUPPLY

3621 FANNIN  
HOUSTON, TX 77004  
713-520-7300  
Christmas?? Now??

#### K COMM dba THE HAM STORE

5707A MOBUD  
SAN ANTONIO, TX 78238  
512-680-6110  
800-344-3144  
Stocking all major lines. San Antonio's  
Ham Store. Great Prices — Great  
Service. Factory authorized sales and  
service.  
Hours: M-F 10-6; SAT 9-3

#### MISSION COMMUNICATIONS

11903 ALEIF CLODINE  
SUITE 500 (CORNER HARWIN &  
KIRKWOOD)  
HOUSTON, TEXAS 77082  
(713) 879-7764  
Now in Southwest Houston—full line  
of equipment. All the essentials and  
extras for the "ham."

### Wisconsin

#### AMATEUR ELECTRONIC SUPPLY

4828 W. FOND DU LAC AVE.  
MILWAUKEE, WI 53216  
414-442-4200  
Wisc. Wats: 1 (800) 242-5195  
Outside Wisc: 1 (800) 558-0411  
M-F 9-5:30 Sat 9-3

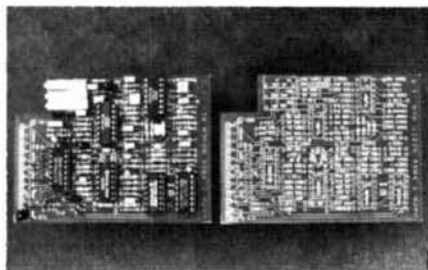


The modem contains a multiplexer for switch-  
ing between the 4800 HAPN-T and the 1200-  
baud modem on the TNC mother board. Detailed  
instructions are included for assembly and instal-  
lation onto the TAPR TNC-1 and TNC-2 (and  
true clones, like MFJs).

The modem is available from HAPN in kit  
form. Write to: HAPN, Box 4466, Station D,  
Hamilton, Ontario, Canada, L8V4S7.

The cost of the bare board is \$15 United  
States, \$18 Canada. A parts kit containing the  
circuit board and components is \$48 United  
States, \$60 Canada. There is a 10-percent dis-  
count for orders of 5 or more units. Handling and  
shipping is \$5 (\$8 for overseas orders).

Circle #314 on Reader Service Card.



### JANUARY WINNERS

Congratulations to Anthony Davis,  
N4SAS, our January sweeps winner  
and William Schreiber, NH6N, author  
of January's most popular WEEK-  
ENDER — "Going Digital." Both will  
receive a copy of *The Radio Handbook*  
by Bill Orr, W6SAI. To enter for Febru-  
ary's drawing, send in the evaluation  
card bound into this issue, or submit  
a WEEKENDER project. You could be  
our next winner! *Ed.*



# FLEA MARKET

**RATES** Noncommercial ads 10¢ per word; commercial ads 60¢ per word both payable in advance. No cash discounts or agency commissions allowed.

**HAMFESTS** Sponsored by non-profit organizations receive one free Flea Market ad (subject to our editing) on a space available basis only. Repeat insertions of hamfest ads pay the non-commercial rate.

**COPY** No special layout or arrangements available. Material should be typewritten or clearly printed (not all capitals) and must include full name and address. We reserve the right to reject unsuitable copy. **Ham Radio** cannot check each advertiser and thus cannot be held responsible for claims made. Liability for correctness of material limited to corrected ad in next available issue.

**DEADLINE** 15th of second preceding month.

**SEND MATERIAL TO:** Flea Market, Ham Radio, Greenville, N. H. 03048.

**BEGINNER'S RADIO CLEARINGHOUSE.** On a space available basis, we are going to offer you, OUR SUBSCRIBER, free of charge, a chance to find a home for your used equipment with a new Ham. Please send us a short description of what you want to sell along with price, name, address and phone number. We'll run it once in a special section of the classified ads under the heading of BEGINNER'S RADIO CLEARINGHOUSE. Please limit your ad to 20 words or less.

**YAesu FT-101E TRANSCEIVER.** CW filter, fan, mint, \$360 New 1989 Callbooks (postpaid USA): N.A. \$23.50, International \$25.50. Duane Heise, AA6EE, 16832 Whirlwind, Ramona, CA 92065. (619) 789-3674.

**NATIONAL** Radio Manual and NCL-2000 factory parts lists. SASE. Max Fuchs, 11 Plymouth Lane, Swampscott, MA 01907.

**ELECTRONIC KITS & ASSEMBLIES.** For our latest catalog send SASE (45 cents) to: A & A ENGINEERING, 2521 W. LaPalma, #K, Anaheim, CA 92801.

**IBM-PC SOFTWARE FOR PK-232.** New CompRtty III/PK is the complete communications program for the PK-232/HK-232. Uses host mode of PK-232 for complete control. Text entry via built-in screen editor! Adjustable split screen display, including optional Triple Split™ in Packet mode. Instant mode/speed change. Hardcopy, diskcopy, break-in buffer, select calling, text file transfer, customizable full screen logging, 24 programmable 1000 character messages, mailbox facility. Ideal for MARS and traffic handling. Requires 256K PC compatible. \$65. Non-PK-232 version still available. Send call letters (including MARS) with order. David A. Rice, KC2HD, 144 N. Putt Corners Rd, New Paltz, NY 12561.

**COMMODORE/AMIGA CHIPS** (eg 6510-\$12.55, 6526-\$13.50, 6567-\$19.95, 6581-\$14.85, 82S100-\$15.75, 901 ROM Series-\$12.50), PARTS, DIAGNOSTICS, HARD TO FIND ITEMS. Authorized service center. Fast REPAIRS, low cost (eg C64-\$49.95 plus UPS). Heavy duty power supplies for the C64-\$27.95 plus UPS. Kasara Microsystems (Division of QEP), Route 9W/Kay Fries Drive, Stony Point, NY 10980, 1-800-248-2983 (outside NY) or 914-942-2252.

**ANTENNA PARTS CATALOG, LOWEST COSTS:** Dipole/Quad/Ground Radial wire, insulators, center feeds, open wire feed line, coax, relays, (#14 multistrand dipole/quad wire, non-stretch, very flexible, \$34 per 275' (minimum), \$12/ft. thereafter, includes shipping). Catalog: \$2.00. DAVIS RF, PO Box 230-H, Carlisle, MA 01741. (508) 369-1738.

**UHF PARTS.** GaAs Fets, mmics, chip caps, feedthrus, teflon pcb, high Q trimmers. Moonbounce quality preamps. Electronic sequencer boards. Send SASE for complete list or call (313) 753-4581 evenings. MICROWAVE COMPONENTS, PO Box 1697, Taylor, MI 48180.

**COMMODORE-128 PROGRAM** available to track the Amateur Satellites. Uses Keplerian data supplied by NASA free. Tracks up to 8 satellites simultaneously. Program also supports printing schedules and predictions for satellites. Use it to track MIR and talk to the Cosmonauts. SATRAK128, \$26.50 includes shipping. Other information on this or other programs for the C128, requires a business size SASE. Reid Bristol, WA4UPD, PO Box 0773, Melbourne, Florida 32936-0773.

**WANT:** 32S3 xmrtr, 250TL and 304TL tubes. KF6WM, 45300 Royal, King City, CA 93930.

**WANTED:** Heath SB-220/1 mint cond. Jim, WA8CAJ (702) 827-3074.

**\$50 PACKET** DigiCom 64—software based PACKET system for Commodore 64. Software is public domain and requires a modem for the C64 which is provided by our kit. Board plugs directly into cassette port or remote mounted via cable, both connectors included. Watchdog timer, read relay PTT and PTT inversion options included. Power derived from computer. Uses 7910 chip—no alignment required. Switch allows HF or VHF operation. Order Kit #154 for \$49.95 or Assembly #154 for \$79.95 both include FREE DISK. Add \$2.50 s/h. A & A ENGINEERING, 2521 W. LaPalma #K, Anaheim, CA 92801. (714) 952-2114. MC or VISA accepted.

**OFFICIAL MILITARY-TYPE ID TAGS.** ("Dog Tags")!! Customized with your Call Letters, etc. 5 seventeen space lines. 20" nickel plated chain included. \$4.29 postpaid. JPW ENTERPRISES, PO Box 353, Logan, Utah 84321

**MAGAZINES WANTED:** "Microwave Systems News" (MSN), "RF Design", "PCIM (Power Conversion & Intelligent Motion)" and "QEX" (1980-present). Call collect 519-742-4594 (Ontario) after 6 PM Eastern time.

**IMRA** International Mission Radio Association helps missionaries. Equipment loaned. Weekday net, 14.280 MHz, 1-3 PM Eastern. Nine hundred Amateurs in 40 countries. Rev. Thomas Sable, S.J., University of Scranton, Scranton, PA 18510.

**BACK ISSUES OF HAM RADIO.** Have most issues from 1969 to 1974. Mint condition. \$3.00 for single issues. WNQG, 319-377-3563.

**FOR SALE:** HW-101, TR-4, HT-37, 75A2, best offer. Want—Pair 8875 tubes. Tom Johnson, N6BP, 5080—500 Avenue West, Oak Harbor, WA 98277.

**HAM TRADER YELLOW SHEETS.** In our 27th year. Buy, swap, sell ham radio gear. Published twice a month. Ads quickly circulate—no long wait for results. Send NO. 10 SASE for sample copy. \$13 for one year (24 issues). PO Box 2057, Glen Ellyn, IL 60138-2057 or PO Box 15142, Dept HR, Sattle, WA 98115.

**VHF-UHF-SHF.** Large SASE West Coast VHFer, POB 685, Holbrook, AZ 86025.

**CHASSIS & CABINET KITS.** SASE. K31WK, 5120 Harmony Grove Rd, Dover, PA 17315.

**ANALOG AND RF CONSULTING** for the San Francisco Bay area. Commercial and military circuits and systems. James Long, Ph.D., N6YB (408) 733-8329.

**RTTY JOURNAL**—Now in our 36th year. Read about RTTY, AMTOR, PACKET, MSO'S, RTTY CONTESTING, RTTY DX and much more. Year's subscription to RTTY JOURNAL \$10.00, foreign slightly higher. Order from: RTTY JOURNAL, 9085 La Casita Ave., Fountain Valley, CA 92708.

**RUBBER STAMPS:** 3 lines \$5.00 PPD. Send check or MO to G.L. Pierce, 5521 Birkdale Way, San Diego, CA 92117. SASE brings information.

**ELECTRON TUBES:** Receiving, transmitting, microwave... all types available. Large stock. Next day delivery, most cases. DAILY ELECTRONICS, PO Box 5029, Compton, CA 90224. (213) 774-1255.

**DIGITAL AUTOMATIC DISPLAYS.** Any Radio. Be specific. GRAND SYSTEMS, POB 2171, Blaine, WA 98230.

**"HAMLOG" COMPUTER PROGRAM.** Full features, 17 modules. Auto-logs, 7-band W/DXCC. Apple \$19.95. IBM, CP/M, KAYPRO, Tandy. C128 \$24.95. HR-KA1AWH, POB 2015, Peabody, MA 01960.

**EXPLORE** the license free 160-190 kHz band. Communications over 100 miles have been achieved and our kits will help you get on the air first! Send stamp for brochure to: SEODEN COMMUNICATIONS, 1272 Harold Avenue, Simi Valley, CA 93065

**WANTED:** ARC-5 and SCR-274 equipment, parts and accessories, any condition. Ken, WB9OZR, 362 Echo Valley, Kinnelon, NJ 07405. (201) 492-9319.

**WANTED:** Ham equipment and other property. The Radio Club of Junior High School 22 NYC, Inc. is a nonprofit organization, granted 501(C)(3) status by the IRS, incorporated with the goal of using the theme of Ham Radio to further and enhance the education of young people. Your property donation or financial support would be greatly appreciated and acknowledged with a receipt for your tax deductible contribution. We sponsor the classroom net on 7.238 at 1200 UTC daily and encourage your QSL for our weekly award. Please write us at: PO Box 1052, New York, NY 10002 or call our round the clock hotline: (516) 674-4072. Thank you!

**CUSTOM MADE EMBROIDERED PATCHES.** Any size, shape, colors. Five patch minimum. Free sample, prices and ordering information. HEIN SPECIALTIES, Inc., Dept 301, 4202 N. Drake, Chicago, IL 60618.

**WANTED:** Drake Linear Amp Model MN4439- 1000W (2000 PEP), 1.8-30 MHz. Call Bruno Molino, VE2FLB, 26 Rue Des Anciens, Gatineau, Quebec J8T 3T2. (819) 561-3689.

**RECONDITIONED TEST EQUIPMENT** \$1.25 for catalog. Walter, 2697 Nickel, San Pablo, CA 94806.

**SCHOLARSHIP.** The Dayton Amateur Radio Association is now accepting applications for its 1989 Scholarship Program. The program is open to any licensed Amateur graduating from high school in 1989. For information and application forms write Scholarship Committee, 317 Ernst Avenue, Dayton, OH 45405.

## COMING EVENTS

Activities — "Places to go . . ."

**SPECIAL REQUEST TO ALL AMATEUR RADIO PUBLICITY COORDINATORS:** PLEASE INDICATE IN YOUR ANNOUNCEMENTS WHETHER OR NOT YOUR HAMFEST LOCATION, CLASSES, EXAMS, MEETINGS, FLEA MARKETS, ETC. ARE WHEELCHAIR ACCESSIBLE. THIS INFORMATION WOULD BE GREATLY APPRECIATED BY OUR BROTHER/SISTER HAMS WITH LIMITED PHYSICAL ABILITY.

**NEW JERSEY:** March 11. The Shore Points ARC's Springfest '89, Atlantic County 4-H Center, Rt 50, Egg Harbor City. Doors open 9 AM. Sellers start 7 AM. Admission buyers \$3. Talk in on 146.385, 985 and 146.52. For information write SPARC, PO Box 142, Absecon, NJ 08201.

**MICHIGAN:** March 18. The 28th annual Michigan Crossroads Hamfest sponsored by the Michigan Amateur Radio Society and the Marshall High Photo Electronics Club, Marshall High School. 8 AM to 3 PM. Setup 6 AM. Tickets \$3.00/door. \$2/advance (SASE). Tables 50 cents/foot, minimum 4 ft. Reserved until 8 AM. SASE to SMARS, PO Box 934, Battle Creek, MI 49016 or call Wes Chaney, N8BDM (616) 979-3433.

**NORTH CAROLINA:** March 18-19. The Mecklenburg Amateur Radio Society is sponsoring the Charlotte Hamfest and Computerfair, ARRL Roanoke Division Convention, Charlotte Convention Center, 4th and College Streets, uptown Charlotte. Saturday 9-5, Sunday 9-2. Tickets \$2/advance; \$7/door. Children under 12 free. Flea market tables \$12 advance only. Tickets and tables good for both days. Programs, forums, license exams, nearby parking and restaurants. For reservations and information write Charlotte Hamfest, PO Box 221136, Charlotte, NC 28222-1136.

**TEXAS:** March 18. The Midland ARC will hold its annual St. Patrick's Day Swapfest. Midland County exhibit Building, east of Midland on north side of Hwy 80. 8 AM to 2:30 PM. Pre-registration \$5, \$6 at the door. Tables \$6. each. License exams. For information and reservations Midland Amateur Radio Club, PO Box 4401, Midland, TX 79704.

**ILLINOIS:** March 19. The Libertyville and Mundelein Amateur Radio Society (LAMARS) will hold its annual LAMARSFEST 1989 at the Lake County Fairgrounds Rts 120 and 45. Large indoor electronic and radio swapfest, exhibitors, rest area, free parking, public cafeteria. Admission \$2/advance; \$3/door. Swap tables \$5. Commercial tables \$20 by reservation only. Doors open 8 AM. Setup 6 AM. Talk in on 147.63/03 Waukegan repeater and 146.52. For information write LAMARS, PO Box 751, Libertyville, IL 60048 or call Bob Dick, NY9E (312) 362-9634 after 7 PM.

**OHIO:** March 19. The Toledo Mobile Radio Assn's Hamfest, Lucas County Recreation Center, Key Street, Maumee. 8 AM to 5 PM. Admission \$3.50/advance; \$4/door. Talk in on 147.27 repeater or 442.85 repeater. Contact: Ron Morris, WB8ZIM, 28141 Glenwood Rd, Perrysburg, OH 43051. (419) 666-8063.

**KENTUCKY:** March 25. Kentucky State ARRL Convention sponsored by the Lincoln Trail ARC, Pritchard Community Center, Elizabethtown. Admission \$4/advance; \$5/door. For advance tickets, setup reservations and exam info contact Chuck Strain, AA4ZD, PO Box 342, Vine Grove, KY 40175. (502) 351-1715.

**MISSOURI:** March 31-April 2. The PHD ARA will sponsor the 1989 Midwest ARRL Convention, Kansas City Convention Center, 13 and Broadway. Exhibits 9-5 Saturday and Sunday. Setups



3-8 PM Friday. DX, QCWA, Packet, Computers, ATV, ARRL, FCC and more. Exams 8 AM Sunday. No walk-ins. Large indoor flea market tables \$10. Pre-registration \$5. \$7 at the door. Saturday evening banquet \$13.50. All pre-registrations must be post-marked by March 20, 1989. Mail to PHD ARA, PO Box 11, Liberty, MO 64068. Phone (816) 781-7313. SASE for confirmation or information.

**NEW JERSEY:** April 8. Ham Radio flea market sponsored by the Chestnut Ridge Radio Club, Education Building, Saddle River Reformed Church, East Saddle River Road and Weiss Road, Upper Saddle River. Tables \$10 for first, \$5 each additional. Tailgating \$5. Admission \$1. Contact Jack Meagher, W2EHD (201) 768-8360.

**INDIANA:** April 8. The Columbus Amateur Radio Club Hamfest. Bartholomew County 4-H Fairgrounds, State Road 11, Columbus. 8 AM to 2 PM. Talk in on 146.79-600 Hz. For information David Mann, KA9UUP, 458N Country Club Road, Columbus, IN 47201. (812) 342-6302.

**WISCONSIN:** April 9. The Madison Area Repeater Association (MARA) is having its 17th annual Madison Swapfest, Dane County Exposition Center Forum Building, Madison. Doors open 7 AM for flea market sellers and 8 AM for general public. Admission \$3 advance, \$4/door. Under age 12 admitted free. Flea market tables \$8 advance; \$9/door plus admission. Advance reservations by March 31, 1989. Talk in on MARA repeater W9AER/R, 147.75/.15. For tables or info on commercial space write MARA, PO Box 4007, Madison, WI 53711 (608) 274-5153 day or night.

**MASSACHUSETTS:** April 9. The Framingham Amateur Radio Assn will hold its annual Spring Flea Market and License exams, Framingham Civic League Building, 214 Concord Street (Rt 126) in downtown Framingham. EARLY BIRD BUYERS doors open at 9 AM. Admission \$5.00. ALL OTHER BUYERS doors open 10 AM. Admission \$2.00. Tables \$12, setup time 8:30 AM. Pre-registration for flea market and exams is required. Talk in on 147.75/15 Framingham Repeater. For information and table reservations contact Jon Weiner, K1VVC, 52 Overlook Drive, Framingham, MA 01701. (508) 877-7166. For license exams send Form 610, copy of license and \$4.65 check payable to ARRL/VEC, Framingham ARA, PO Box 3005, Framingham, MA 01701.

**NEW JERSEY:** April 15. "Flemington Hamfest 89", sponsored by the Cherrville Repeater Association, 8 AM in the Hurdon Central High School Field House. Admission: \$4 advance, \$5 door. Children under 12 and XYLs free. Refreshments available from 6:30 AM. Advance tickets: Dave Hickson, KD2RC, 125 South Main St, Lambertville, NJ 08530. Tables: Marty Grozinski, NS2K, 6 Kirkbridge Rd, Flemington, NJ 08822. Information: (201) 788-4080 before 11 PM EST. VE testing begins at 10 AM, send FCC form 610, photocopy of current license, and a check for \$4.75 (payable ARRL/VEC) to: Cherrville Repeater Association, VE Test Team, Box 308, Quakertown, NJ 08888. Talk in: 146.52, 147.975/375, 145.615/015, 222.52/224.12 and 449.85/444.85 MHz.

**ILLINOIS:** April 16. The Moultrie Amateur Radio Klub's 26th annual Hamfest, Moultrie County 4-H Grounds, Cadwell Road, 4 miles east of Sullivan. Gates open 7 AM. Tickets \$3; 2/\$5. Large covered outdoor area available FCFS. No charge for vendors. Food available. For information Ralph Zancha, WC9V (217) 873-5287 or write MARK, PO Box 79, Sullivan, IL 61911.

**DAYTON HAMVENTION:** April 28, 29, 30.

**OHIO:** April 28. The 4th annual DX Dinner, Dayton Hamvention Weekend, sponsored by the SouthWest Ohio DX Association, Stouffer's Dayton Plaza Hotel. Cash bar 6:30 PM; dinner at 7 PM. Keynote speaker Dave Heil, J52US. Master of Ceremonies Frank Schwab, W8OK. Banquet \$22.00 per person by reservation only. Please SASE along with check or MO payable to SWODXA to Scott Lehman, N9AG, PO Box 803, Greenville, OH 45331.

**OHIO:** April 29. The 20th annual B\*A\*S\*H will be held on Friday night of the Hamvention at the Conference Center (Madison Room) of the HARA Arena and Conference Center, same location as the Hamvention, starting at 7 PM. No admission charge. Free continuous entertainment. Hot dinner, sandwiches, snacks and beverages are available. Two exciting top awards and many others. Stay right at HARA when the Hamvention closes on Friday evening and meet your friends and join us for an evening of fun and entertainment. Sponsored by the Miami Valley FM Association, PO Box 263, Dayton, Ohio 45401.

## OPERATING EVENTS

"Things to do . . ."

The DeVry Amateur Radio Society has been a national VEC since February 23, 1984. We have over 40 testing groups nationwide and are continuing to grow. We offer a program based upon integrity and creativity. The forms our VE's are required to fill out are simple and to the point. We also reimburse all our testing groups for out-of-pocket expenses. If you would like to start a DeVry VE team in your area just call 1-800-327-2444, ext 2221 or 1-312-929-8500 or write DeVry VEC, 3300 N. Campbell Avenue, Chicago, IL 60618.

**NORTH COAST ARC 1989 LICENSE EXAMS.** 12:30 PM, Saturdays February 11, April 15, June 10, August 12, October 14, December 9. N. Olmsted Community Cabin, S of Lorain on W. Park. Novice thru Extra. Walk-ins allowed. Talk in 145.29 repeater. For information Dan Sarama, KB8A, 15591 Rademaker Blvd., Brookpark, Ohio 44142. 267-5083 or Pauline Wells, KA8FOE, Rick Wells, K8SCI, 777-9460/779-8999.

**AMATEUR RADIO CLASSES:** For those people interested in obtaining a Novice (basic level) Ham license or upgrading to Tech/General, the Chelsea Civil Defense, in cooperation with QRA Radio Club, will sponsor Amateur Radio Communications classes evenings at Chelsea High School starting MARCH 7, 1989. For more information write Frank Masucci, K1BPN, 136 Grove Street, Chelsea, MA 02150. Please enclose your telephone number.

**THE MIT UHF REPEATER ASSOCIATION** and the MIT Radio Society offer monthly HAM EXAMS. All classes Novice to Extra. Wednesday, MARCH 22, 7 PM, MIT Room 1-150, 77 Mass Avenue, Cambridge, MA. Reservations requested 2 days in advance. Contact Ron Hoffmann at (617) 484-2098. Exam fee \$4.50. Bring a copy of your current license (if any), two forms of picture ID, and a completed form 610 available from the FCC in Quincy, MA (617) 770-4023.

## CORRECTION

**ILLINOIS:** March 12. The Sterling-Rock Falls ARS 29th annual Hamfest, Sterling High School Field House, 1608 Fourth Avenue, Sterling. Doors open 7:30 AM. Tickets \$3/advance; \$4/door. Dealers, large flea market. VE exams. Talk in on 146.25/146.85 W9MEP Repeater. For information, tables or tickets contact Sue Peters, P.O. Box 521, Sterling, IL 61081 or call AC (815) 625-9262.

# MOVING?

## KEEP HAM RADIO COMING . . .

If possible let us know four to six weeks before you move and we will make sure your HAM RADIO Magazine arrives on schedule. Just remove the mailing label from this magazine and affix below. Then complete your new address (or any other corrections) in the space provided and we'll take care of the rest.

**ham radio Magazine**  
Greenville, NH 03048

Allow 4-6 weeks for correction.

Thanks for helping us to serve you better.

Here's my new address:

Call \_\_\_\_\_

Name \_\_\_\_\_

Address \_\_\_\_\_

City \_\_\_\_\_ State \_\_\_\_\_ Zip \_\_\_\_\_

**AFFIX LABEL HERE**

## Foreign Subscription Agents for Ham Radio Magazine

- |                                                                                            |                                                                                                                                                        |
|--------------------------------------------------------------------------------------------|--------------------------------------------------------------------------------------------------------------------------------------------------------|
| Ham Radio Austria<br>Karin Ueber<br>Postfach 2454<br>D-7850 Loerrach<br>West Germany       | Canada<br>Send orders to<br>Ham Radio Magazine<br>Greenville, NH 03048 USA<br>Prices in Canadian funds<br>1 yr \$41.85, 2 yrs \$74.25<br>3 yrs \$99.90 |
| Ham Radio Belgium<br>Stereohouse<br>Brusselssesteenweg 416<br>B-9218 Gent<br>Belgium       | Ham Radio Italy<br>Via Mannajo 15<br>I-20134 Milano<br>Italy                                                                                           |
| Ham Radio Holland<br>Postbus 413<br>NL-7800 Ar Emmen<br>Holland                            | Ham Radio Japan<br>Katsumi Electronic Co., Ltd<br>27-5 Kajami<br>4 Chome, Ota Ku<br>Tokyo 146, Japan<br>Telephone (03) 753-2405                        |
| Ham Radio Europe<br>Box 2084<br>S-194 02 Upplands Vasby<br>Sweden                          | Ham Radio Switzerland<br>Karin Ueber<br>Postfach 2454<br>D-7850 Loerrach<br>West Germany                                                               |
| Ham Radio France<br>SM Electronic<br>20 bis, Ave des Clairons<br>F-89000 Auxerre<br>France | Ham Radio England<br>c/o R.S.G.B.<br>Lambda House<br>Crabtree Road<br>Potters Bar<br>Herts EN6 3JW<br>England                                          |
| Ham Radio Germany<br>Karin Ueber<br>Postfach 2454<br>D-7850 Loerrach<br>West Germany       | Holland Radio<br>143 Greenway<br>Greenside, Johannesburg<br>Republic of South Africa                                                                   |

PRESENTING

## The K1FO 12 element 144 MHz YAGI

EME --- TROPO --- WEAK SIGNAL

MODEL FO-12-144

<b>ELECTRICAL SPECIFICATIONS.</b>	
Gain	12.6 dBd
E Plane beamwidth	2 x 17 deg
H Plane beamwidth	2 x 18.5 deg
Sidelobe attenuation	
1st E Plane	18 dB
1st H Plane	15 dB
H Ratio	27 dB
VSWR	1.13:1
<b>MECHANICAL SPECIFICATIONS.</b>	
Length	17' 4 in.
Wind survival	120 MPH
Load component	N type
Mast	up to 2" diameter
Element insulators	UV resistant
Back Drive	
Stainless steel hardware	(except U bolts)
Elements	1/2" Aluminum rod

\$134.95

**ALSO AVAILABLE**

FO-16-220, FO-22-432, FO-25-432 and FO-33-432  
STACKING FRAMES    POWER DIVIDERS

We supply those hard to find parts for the home builder.  
Detail Insulators \$12/100. Plated keepers \$4/100. Stainless \$10/100.  
Add \$6 UPS \$1H for single or pair of Antennas  
\$8 West of Mississippi  
PA residents add 6% state sales tax

**RUTLAND ARRAYS**  
1703 Warren Street • New Cumberland, PA 17070  
(717) 774-5298 7-10 P.M. EST  
Dealer inquiries invited

**INTERNATIONAL RADIO AND COMPUTERS, INC.**

**ICOM**

Is pleased to announce that we are now an authorized dealer for ICOM Products.

- We service All ICOM products and, of course, use Factory Service parts.
- We provide a complete check for performance and function on each radio we sell. Call us for a quotation on your next ICOM purchase. Master, Visa, American Express cards accepted.
- Servicing Amateur Radio Operators for eight years. Send for your FREE Brochure.

**INTERNATIONAL RADIO AND COMPUTERS, INC.**  
751 South Macedo Blvd.  
Port St. Lucie, FL 34983  
(407) 879-6868

**Sparky J Antennas**

• Install Fast • Extend Range • Improve Reception •

The Sparky J Antenna is a flexible half wave radiator fed by 1/2 wavelengths of low loss coax through an efficient linear matching transformer. Sparky J's beat Duckies, 1/4 & 5/8 wave antennas, need no ground plane. Low flat SWR curve gives edge to edge band coverage. Great portable rolls up to fit in pocket. Completely assembled with BNC connector.

• Easily hidden • Effective indoors or out • Money-back guarantee •

Available for every band from 50 to 440 MHz  
\$39.95 each    Two for \$65.00    Add \$5 P & H  
In pack \$1 by first class mail    **Antennas West**  
Box 50062-H, Provo, UT 84605 (801) 373-8425



# ELMER'S NOTEBOOK

Tom McMullen, W1SL

## Packet radio for the first-timer

I came up with the subject for this month's column after overhearing comments and conversations at some recent hamfests. It was apparent that quite a few Amateurs would like to explore packet (and other digital modes), but are a bit puzzled about what to do after buying the equipment and plugging it in. After all, it's slightly more complex than getting started with a CW rig where you hook all the pieces together, tap out a CQ on the key, and listen for a reply. A first-time venture into the phone bands is not all that difficult either. A "hello" into a microphone will often bring back a surprising "hello yourself" from the receiver, or perhaps a "QRZed?" Once you get to this point, establishing a QSO isn't hard at all.

Many people are easily intimidated by computers, and connecting one to a transceiver can make "mike fright" or a "frozen fist" seem insignificant. The first step is to get on good terms with your computer. No matter what make it is, learn to use the built-in features: how to save files to a hard drive or a floppy diskette, what to do when it says "syntax error," and how to recover from the inevitable "dead-keyboard" experience — when the little cursor just blinks at you or, even more unsettling, the screen stays blank! But these procedures are more properly addressed in the realm of an article or book on computer operations, and this column is about Amateur Radio, so let's direct our

attention to making the packet radio system do its thing.

For almost all packet systems, you need a "communications" or "terminal" program for your computer. Many of the common ones available will work — I've used QModem, PC-Talk, Bitcomm, PC-Pakratt, and Powercomm 12 on my PC/AT. My favorite is Procomm because it's the one I've used the most for checking into bulletin boards and data services via the telephone line and a modem. Use whatever program you're comfortable with; the goal is to have your computer talk to the outside world.

The next step is to establish communications with your packet equipment, the Terminal Node Controller (TNC). This is the interface between your computer and the radio equipment. It contains all the "smarts" to accept what you type on the keyboard and turn it into a message complete with headers, addresses, error-checking methods, etc. It also works in the reverse — deciphering a received packet of information and turning it into words to display on your screen.

There are many variations of the commands used in packet systems and it would be impossible to describe all of them here. Look at the instruction manual for your particular TNC and make a list of the commands you're most likely to use at the beginning, based on those described here.

The TNC I now use is the PK-232 by AEA. I used to have a TNC-1 from the Tucson Amateur Packet Radio Corporation (TAPR). TAPR has come out with a TNC-2, but I haven't tried it. Some commands are the same for the

PK-232 and the TNC-1; some are not. The PK-232 has a very large set of commands covering everything from calibrating the system to switching from VHF to HF or from packet to AMTOR or RTTY. You'll need only eight or ten commands to start having fun on this mode.

## Your first words

The first thing that you should see when your computer and the TNC start talking to each other is a message of some sort. It will probably give you a copyright notice, the date the program was released, and perhaps some other information as well. The greeting should be followed by the letters **cmd:** (a prompt, asking you for a command or instructions).

Before going further, you need to know that the TNC has two modes of operation — the command mode where it's waiting for instructions and where it responds to those instructions, and the converse mode where it will interact with another station by receiving and sending packets. When you see the **cmd:** (or **CMD:**) prompt, the TNC expects some instructions from you. Please note: most TNCs don't care whether you use upper or lower case. I'll use lower case for our purposes.

If you haven't already done so, now is the time to tell the TNC who you are. You do this by typing **mycall** or just **my** and then hitting the return or enter key, whichever you have. (Some keyboards have a symbol like a backwards letter L with an arrowhead. They all do the same thing.)

Most TNCs will accept either the

## THE MOST AFFORDABLE REPEATER

ALSO HAS THE MOST IMPRESSIVE PERFORMANCE FEATURES  
(AND GIVES THEM TO YOU AS STANDARD EQUIPMENT!)

**KIT, ONLY \$675**  
**WIRED \$975**  
**VHF OR UHF**



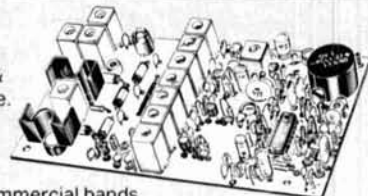
### FEATURES:

- **SENSITIVITY SECOND TO NONE!** GaAsFET front end on vhf models gives 12dB SINAD of 0.12uV (vhf), 0.15uV (220). UHF model 0.25uV std, 0.1uV with optional helical resonator preamp.
- **SELECTIVITY THAT CAN'T BE BEAT!** Both 8-pole xtal filter & ceramic filter for > 100dB at only ±12kHz. Helical resonator front end to combat desense & intermod.
- **CLEAN, STABLE TRANSMITTER,** up to 18W output standard; 50W with accessory power amplifier.
- **FCC TYPE ACCEPTED** for commercial high band and uhf.
- **Courtesy beep,** field-programmable CWID, flutter-proof squelch, automatic frequency control to compensate for off-frequency transmitters (all standard features).
- **Full range of options** available, such as autopatch, phone line or radio remote control, sub-audible tones, duplexers.

## HIGH PERFORMANCE TRANSMITTERS & RECEIVERS FOR REPEATERS AUDIO & DIGITAL LINKS, TELEMTRY, ETC.

### •FM EXCITERS:

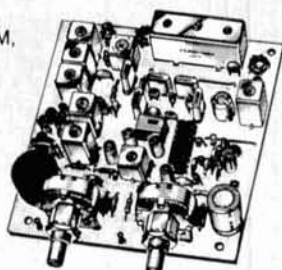
- Kits \$99, w/t \$179. 2W continuous duty. TCXO & xtal oven options available.
- **TA51** for 10M, 6M, 2M, 150-174, 220 MHz.
  - **TA451** for uhf.



- FCC type accepted for commercial bands.
- Call for latest information on 900 MHz transmitters.
  - **VHF & UHF AMPLIFIERS.** For FM, SSB, ATV. Output from 10 to 50 Watts. Several models, kits starting at \$79.

- **R144/R220 FM RECEIVERS** for 2M, 150-174, or 220 MHz. GaAs FET front end, 0.12uV sensitivity!

Both crystal & ceramic filters plus helical resonator front end for exceptional selectivity: > 100dB at ±12kHz (best available anywhere)! Flutter-proof squelch. AFC tracks drifting transmitters. Kit \$149, w/t \$229.



- **R451 UHF FM RCVR.** Similar to above. Tuned line front end, 0.25uV sens. (0.1uV with optional hel. res. preamp). Kit \$149, w/t \$229.
- **R901 FM RCVR FOR 900 MHZ.** Triple-conversion, GaAs FET front end, 0.2uV sens. Kit \$169, w/t \$259.
- **R76 ECONOMY VHF FM RCVR** for 10M, 6M, 2M, 220. Without hel res or afc. Kits only \$129.
- **Weather satellite & AM Aircraft receivers also avail.**

FCC TYPE-ACCEPTED TRANSMITTERS & RECEIVERS AVAILABLE FOR HIGH-BAND AND UHF. CALL FOR DETAILS.

- Send \$1 for 36 page catalog by return mail. (Send \$2.00 or 4 IRC's for overseas mailing)
- Order by phone or mail • Min \$3 S & H per order
- Use Visa, Mastercard, Check, or UPS COD.

## GaAs FET PREAMPS at a fraction of the cost of comparable units!

### LNG -(\*)

GaAs FET PREAMP

ONLY \$59!  
Wired/tested



### FEATURES:

- **Very Low Noise:** 0.7dB VHF, 0.8dB UHF
- **High Gain:** 13-20dB, depending on frequency
- **Wide Dynamic Range:** to resist overload
- **Stable:** new-type dual-gate GaAs FET

\* Specify tuning range desired: 26-30, 46-56, 137-150, 150-172, 210-230, 400-470, or 800-960 MHz.

### LNW -(\*)

MINIATURE GaAs FET PREAMP

ONLY \$24/kit,  
\$39 Wired/tested



GaAs FET Preamp similar to LNG, except designed for **low cost & small size** Only 5/8"W x 1-5/8"L x 3/4"H. Easily mounts in many radios.

\* Specify tuning range desired: 25-35, 35-55, 55-90, 90-120, 120-150, 150-200, 200-270, or 400-500 MHz.

### LNS-(\*)

IN-LINE PREAMP

ONLY \$79/kit,  
\$99 Wired/tested



GaAs FET Preamp with features similar to LNG series, except **automatically switches out of line during transmit.** Use with base or mobile transceivers up to 25W.

\* Specify tuning range desired: 120-175, 200-240, or 400-500 MHz.

## HELICAL RESONATOR PREAMPS

Low-noise preamps with helical resonators **reduce intermod & cross-band** interference in critical applications.

MODEL HRA-(\*) , \$49 vhf, \$84 uhf.

\* Specify tuning range desired: 142-150, 150-162, 162-174, 213-233, 410-454, or 454-475.

## ACCESSORIES



**COR-3 REPEATER CONTROLLER** kit. Features adjustable tail & time-out timers, solid-state relay, courtesy beep, and local speaker amplifier. ....\$49

**CWID** kit. Diode programmed, adjustable tone, speed, and timer, to go with COR-3. ....\$59

**NEW COR-4** kit. Complete COR and CWID all on one board for easy construction. CMOS logic for low power consumption. Many new features. EPROM programmed; specify call letters. \$99

**NEW TD-3 SUBAUDIBLE TONE DECODER/ENCODER** kit. ....\$24

**TD-2 DTMF DECODER/CONTROLLER** kit. Full 16 digits, with toll-call restrictor, programmable. Can turn 5 functions on/off. Great for selective calling, too! ....\$79

**AP-3 AUTOPATCH** kit. Use with above for repeater autopatch. Reverse patch and phone line remote control are std. ....\$79

**AP-2 SIMPLEX AUTOPATCH** Timing Board kit. Use with above for simplex operation. ....\$39

**MO-202 FSK DATA MODULATOR** kit. Run up to 1200 baud digital signals through any fm transmitter with full handshakes. Radio link computers, telemetry gear, etc. ....\$39

**DE-202 FSK DEMODULATOR** kit. For receive end of link. ....\$39

**9600 BAUD DIGITAL RF LINKS.** Low-cost packet networking system, consisting of new MO-96 Modem and special versions of our 220 or 450 MHz FM Transmitters and Receivers. Interface directly with most TNC's. Fast, diode-switched PA's output 15 or 50W. Call for info on the right system for your application!

## RECEIVING CONVERTERS



	Antenna Input Range	Receiver Output
	28-32	144-148
	50-52	28-30
	50-54	144-148
<b>VHF MODELS</b>	136-138	28-30
	144-146	28-30
	145-147	28-30
	146-148	28-30
	220-222	28-30
	220-224	50-54
	222-224	28-30
<b>UHF MODELS</b>	432-434	28-30
	435-437	28-30
	432-436	144-148
	439-25	61-25
	902-928	422-448
	902-922	430-450

See catalog for full line of 2w transmitting converters for vhf & uhf. Kits only \$79. Linear Amplifiers avail. up to 50 w.

Our 26th Year  
**hamtronics, inc.**  
65-H MOUL ROAD • HILTON NY 14468-9535  
Phone: 716-392-9430 Hamtronics® is a registered trademark

entire command or a one- or two-letter abbreviation. The monitor will show a statement, like **mycall aaa**, in answer to what you just typed. You can then respond with **mycall** (type your call here) and return. Your call is now stored in memory and will be used whenever a packet is sent or received. The call stays in memory even when the equipment is turned off, so you don't need to repeat this step the next time you use it.

## The command mode

In addition to letting you give instructions, the command mode will let you find out all kinds of things about your terminal. Just type **display** (or **disp**) followed by a letter or number at the **cmd:** prompt. For example, **cmd:disp L** will fill your screen with the link status information. You won't use much of it for most operation, but it's there when you want it. At the moment, the statement you're looking for is that link status is disconnected (meaning that you are not connected to another station).

Another useful display is the monitor parameters. Here you can see what the monitor function is doing. (This is the monitor activity of your terminal, not the video-display screen you are looking at.) Typing **cmd:disp m** will give you a screen full of monitor settings. Among these the **mfrom** setting is important because it determines what on-air activity you'll see on your screen. Three other commands very useful for a beginner are: **help**, **connect**, and **disconnect**.

Here's an important tip: If things get so confused that you're not sure what's going on, and you don't see the **cmd:** prompt, you can always get back to the prompt by holding down the control key and the C key at the same time (sometimes written in text as <control-C> or <^C>). This puts the system back in the command mode, and you can start over.

Try the **help** command (**cmd:help**) just to get familiar with what's available. After you've made a few dozen contacts you'll know all about the system anyway, but for now it's nice to

know that it can help you out. It's reassuring to know that most terminals will let you know when they don't understand something. For instance, if I type **connet** when I mean **connect**, the system replies with **?what?**

After you've entered your call into the machinery and looked at the help screen for reassurance, try monitoring some activity. Make sure your transceiver is tuned to a packet frequency, and that there's something going on. You'll have to tell the terminal what you want to monitor. On some TNCs, you do this by typing **monitor all**, **monall**, **mall**, or **mall on**. For the PK-232, the command is **mfrom**. If you just type **mfrom**, the TNC will tell you its current setting; if it says **mfrom none** you won't see any activity. Type **mfrom all** and you'll see what's happening — including packets between two stations, packets being relayed, or announcements (beacons) from local bulletin-board stations. Later on, you can become more selective and give your TNC a list of the calls you want to monitor by typing **mfrom yes**. (List the calls, separated by a comma.) You can also shut out calls by typing **mfrom no** (call or calls).

## The connection

After you've monitored the activity for a while, try a contact. Note the call of someone who has just disconnected (or sent a CQ packet), and type in **connect** (type in his call) and hit return. You could try this with a bulletin board, but if you do, be prepared for a screen full of announcements and/or questions about who you are and whether you'd like to sign up as a member, etc. If the station you picked is available, your screen should show **connected to** (his call). At this point, almost all TNCs go into the converse mode automatically. This means you can carry on a two-way QSO with the station you're connected to. Just type away — ask questions, talk about the weather, your rig, the family, or whatever.

Remember that what you type isn't

sent to the other guy until you do a return. The return key is the computer's way of saying "over" on voice, or sending "K" on CW. (Standard practice on packet is to send three >>> symbols at the end of your last line of text to indicate "over".) You'll also see what the other station sends, but be patient. Some people are not high-speed typists, and typing two or three lines one-finger style can take a couple of minutes.

## Via who?

You'll see some activity that has "via" or "v" in the list of callsigns, as in **connect WW4HAO via WW4DA**. This means they are connected through a digipeater. Some stations append a number after their call to help identify them as a digipeater, like **WW4DA-2**. Type in the station you want to connect with, the word **via** (or the letter **v** if your program can use that abbreviation), then the call of the digipeater (including the number, if any) and hit return. Once you've established a connection, you don't need to tell the terminal to use the digipeater each time — it will remember to do so until you end the contact.

Ending the contact? Just typing "bye" or "73" or "see-ya-later" won't hack it. That will tell the other guy you're all through, but you also have to tell your terminal. It's easy to do. Just type **disconnect**, **disc**, or simply **D** at the **cmd:** prompt. (You get back to **cmd:** by using control-C.) Your terminal will respond with **disconnected**. If the other station decides to quit first, and sends the disconnect command, your terminal will tell you that he has disconnected.

Another useful feature is the list of stations heard. It lets you get a feel for the activity in your area. On the PK-232 the command for this is **mheard**. The terminal will list the last 18 calls heard, and those heard directly (not through a repeater) will be marked with an asterisk (\*). You can find out the times stations were on by typing **daystamp on** when you start up your station. The list will then include the time and date of each call shown.

## Confusion factors

There are many things about this new mode that can leave a newcomer bewildered, wondering what went wrong and why. One is the lack of response when a **connect** request doesn't produce any results. Overlooking the possibility that the other station just shut down or told his terminal to ignore any more connect requests for the evening, a lack of response could be caused by collisions between packets (two stations trying to send at the same time). This doesn't happen often, but probably will as channels become more crowded. One thing you can do is find out the number of times your station will try before it gives up. Check the setting by typing **retry** at the **cmd:** prompt. The terminal should reply with a number, e.g., **retry 10**. You can change this by typing **retry** followed by any number from 0 to 15. **Retry 15** means your station will try 15 times before giving up and

showing the message **retry count exceeded**. You can also change the amount of time between retries. The PK-232 does this by using the **frack** (frame acknowledge) command. For local stations, a low number like 2 or 3 seconds should be okay (**frack 3**). If you're working through one or more digipeaters, use a larger number to allow time for the packet to be handled by the relay stations. You can specify a number up to 15 seconds, but it should be a compromise between how long you are willing to wait and what produces the most success in your area.

The timing between sending and receiving is a critical part of packet operation. Your TNC is capable of switching from transmit to receive in a few milliseconds, but your RF transceiver is not. Obviously, if the other station acknowledges the packet before your receiver is ready, you'll never make a contact, and vice versa.

Modern diode-switched send/receive circuits are pretty good, but still require considerable switching time. Most transceivers that use relays for send/receive switching will require longer delays than solid-state equipment. This delay can be set from the **cmd:** prompt. The time is usually given in milliseconds — e.g., 500 = 500 milliseconds or 0.5 seconds. Start with some value around 600 mS (**cmd:dwait 600** for the PK-232), and try to connect to a local station. You can then lower the number to find a value that works well with your station.

Packet radio is a well-established, growing communications mode. There are linking and network developments on the way that will be very exciting to explore. So dive in — don't let keyboard fright deprive you of a lot of very enjoyable QSOs.

Article L

HAM RADIO

# PLUG INTO PACKET!

## Simple and Easy.

Here's the easiest packet radio yet, you don't even have to buy a TNC to join the digital revolution. Just let your PC do the work. Plug a PC Packet Adapter into any expansion slot and get on the air in minutes, just like an expert. And you'll still be able to use the PC for other work! The complete VHF system is only \$139.95!

## Sophisticated, Too.

When you've mastered the basics, use the PC\*Packet Adapter for simultaneous dual-band HF/VHF, multiconnect, BBS, TCP/IP, DXer's PacketCluster, 2400 baud (and higher). Even use the Developer's Package to write your own packet application.

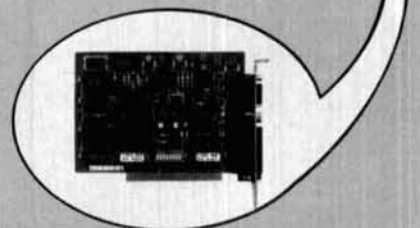
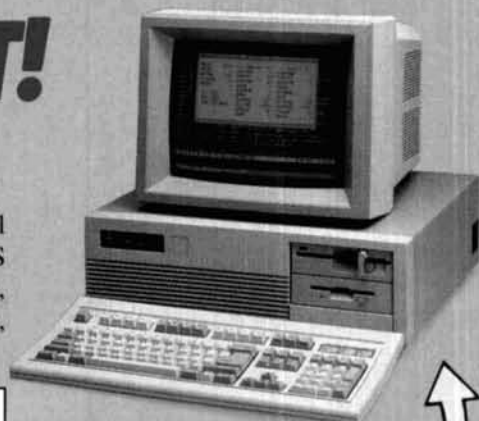
## Software Included.

Unlike others, DRSI includes all the software you need. The THS terminal package has split screen, file save/send, binary file transfer, print, scroll, review and more.

### 2400 BAUD

Many areas are upgrading their packet nets to this higher speed. DRSI's M-24 modem for 2400 baud connects simply with no modifications to your rig and lets you operate both 1200 and 2400 simultaneously with your present radio. Step up to this new speed for just \$79.95, today!

**Call or Write  
for complete  
Product Catalog**



**DRSI**

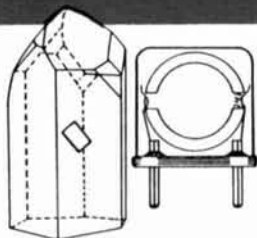
2065 Range Road  
Clearwater, FL 34625  
**ORDERS: 1-800-999-0204**

When performance & price really count...

**CRYSTEK**  
**CRYSTALS**  
The pulse of dependable communications



Reliability & Quality  
From Start To Finished Product



**QUARTZ  
CRYSTALS/OSCILLATORS FOR**

**ELECTRONIC — INDUSTRIAL**

- Micro-Processor Control
- Computers/Modems
- Test/Measurement
- Medical

**COMMUNICATIONS — REPLACEMENT**

- Mobile/2-way/Channel Elements
- Pagers
- Marine
- Aircraft
- Telemetry
- Monitors/Scanners

**AMATEURS**

- CB
- Hobbies
- Experimenter

**COST EFFECTIVE  
MODERATE PRICING  
FAST DELIVERY**



Replacement Crystals Catalog

Custom Made Crystals Catalog

**The Pulse of Dependable Communications**

Crystek Crystals offers their new 16 page **FREE** catalog of crystals and oscillators. Offering state-of-the-art crystal components manufactured by the latest automated technology. Custom designed or "off the shelf." Crystek meets the need, worldwide. Write or call today!

**CRYSTEK CORPORATION**

DIVISION OF WHITEHALL CORPORATION

2351/2371 Crystal Dr. • Ft. Myers, FL 33907  
P.O. Box 06135 • Ft. Myers, FL 33906-6135  
**TOLL FREE 1-800-237-3061**  
(813) 936-2109 — TWX 510-951-7448



✓ 123

**NEW CONCEPTS**



IN SAT COMM ANTENNA DESIGN

Apertures to 15metres

OVERSEAS manufacturer, installer  
inquiries answered promptly

**FINDEX WORLDWIDE**

P.O. BOX 2448  
MONEE, ILLINOIS 60449-0448  
U. S. A. FAX: 312-534-0117

✓ 193

**5-1000 MHz PREAMPLIFIERS**

	NF	G	P(1 dB)	\$
WLA20M*	2dB	15dB	0dBm	73
WLA21M	3	13	8	57
WLA22M	4	11	12	61
WLA23M	4	22	12	87
WLA24M	3	23	18	109
WLA25M	5	11	20	82
WLA26M	6	21	24	199

Add \$4 for S&H; \*BW 1-500 MHz



**WI-COMM ELECTRONICS INC.**

P.O. Box 5174, MASSENA, N.Y. 13662  
(315) 769-8334

✓ 166

**NEW!**

The classic "Antenna Bible"  
now in a thoroughly-revised, much-enlarged  
edition

**ANTENNAS**

2nd edition

by John Kraus, W8JK  
Ohio State University

Covers both theory and its applications to practical systems. Over 1000 illustrations and nearly 600 worked examples and problems. Over 100 new topics. Complete with design formulas, tables and references

917 pages, hardcover. \$51.95

Add \$2.50 per book for shipping and handling U.S., \$5.00 elsewhere.

**CYGNUS-QUASAR BOOKS**  
P.O. Box 85, Powell, Ohio 43065  
Tel. 614-548-7895

✓ 124



**LOW BAND DX'ING  
COMPUTER PROGRAMS**

by John Devoldere, ON4UN, for  
Apple IIe/c, MS-DOS, Commodore  
C-128 Apple Macintosh and Kaypro  
CPM Computers

Here's a collection of 30 super programs written by ON4UN. Just about every interest or need is covered—from antenna design and optimization to general operating programs. Antenna programs include: shunt and series input L network design, feedline transformer, shunt network design, SWR calculation, plus 11 more! General Ham programs include: sunrise/sunset, great circle distances, grayline, vertical antenna design program, sunrise calendar plus 9 more! Phew. When you sit down to use these programs you'll be amazed at what you have. The best value in computer software available today. © 1986.

- UN-Apple IIe/IIc \$39.95 ea.
- UN-MS (MS-DOS) \$39.95 ea.
- UN-CPM/Kaypro \$39.95 ea.
- UN-C-128 (COMMODORE) \$39.95 ea.
- UN-MAC (MACINTOSH) \$49.95

**LOW BAND DX'ING**

by John Devoldere ON4UN

Now Available! The new, 2nd edition of the definitive book on Low Band DX'ing. Based upon years of practical on-the-air experience, learn the secrets of how ON4UN has been so successful on the low bands. Extensive coverage is given to transmit and receive antennas with clear concise explanations and plenty of illustrations—dipoles, inverted V's, slopers, phased arrays and Beverages—they're all in this book. Also covered: propagation, transmitters, receivers, operating, software and an extensive Low Band bibliography. Going to be a best seller! Get yours today. © 1987 2nd Edition 200 pages

- AR-UN Softbound \$9.95

**BUY'EM BOTH  
SPECIAL OFFER**

Book & Software Reg. \$49.90  
(\$59.90 for Mac)

Just \$44.90 (\$54.90 for Mac)

- UN-SO (specify computer) \$44.90
- UN-MSO Macintosh Special \$54.90

**SAVE \$5**

Please enclose \$3.50 shipping & handling

**HAM BOOKSTORE  
RADIO**

GREENVILLE, NH 03048 603-878-1441

## A RACE ON THE EDGE OF TIME

Radar — The Decisive Weapon of WW II

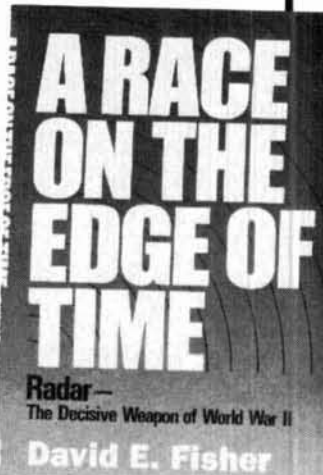
by David E. Fisher

*A Race On The Edge Of Time* reads like a thriller but is based upon painstaking and comprehensive research by the author. In fact, Fisher argues rather convincingly that radar was the crucial factor that allowed the allies to win the war and that radar has played the same important role in our current military and political environment. Filled with fascinating twists and turns of history that could have changed the war's outcome, anecdotes about the personalities involved in the development of radar and other military insights. Also includes radar development post WW II and how it will influence future battles. Illustrated with rare vintage photographs and diagrams.

□ MH-21088 Hardbound \$19.95

Please enclose \$3.50 shipping and handling.

**ham radio** magazine **BOOKSTORE**  
GREENVILLE, NH 03048   603-878-1441



**GREAT  
GIFT  
IDEA**  
NOW BACK IN STOCK

### HAM RADIO LOG BOOKS back by popular demand!

Room for over 2100 QSO—that's over twice as many as the other log books. For contesters, each page contains 30 QSO's for easy counts. You also get the latest up-to-date frequency spectrum chart. ITU callsign list and ARRL DXCC list. Spiral bound to lay flat on your desk. Unquestionably the best log book value around.  
© 1988.

HR-LB.....Spiralbound \$2.95  
HR-3LB Special  
Buy 3 Price. Save 22%.....Get 3 offer \$6.95



Please Add \$3.50 for shipping and handling.



**HAM  
RADIO**  
GREENVILLE, NH 03048

**BOOKSTORE**  
(603) 878-1441

# SATELLITE ESSENTIALS

Satellite TV is still full of the wonderment that made it so popular in the early '80s. The tinkerers are there, the programming is there, and never has the cost of becoming a dish owner been so low.

So, how do you find out about this exciting entertainment?

Through publications devoted specifically to satellite TV, that's how!



### America's Weekly Guide To Satellite TV

OnSat is unsurpassed for the most up-to-date listings of satellite programming. Dr. Dish, Mailbag, and the Transponder Service Watch are all geared to help you make the best use of your satellite TV system. A sample issue can be obtained for only \$1.



### The Complete Monthly Guide To Satellite TV

STV Guide contains over 300 pages of programming information, product reviews, home troubleshooting, and information about satellite TV. A sample issue can be obtained for only \$2.

Both OnSat and STV Guide contain listings for over 120 channels and Prime Time Grids for over 50 channels. Subscribe to either the weekly OnSat or the monthly STV Guide for only \$48 per year.

To start receiving the best in satellite TV guides and information, call toll-free (800) 234-0021. VISA® and MasterCard® accepted.

**STV Guide/OnSat**  
PO Box 2384 • Shelby, NC 28151-2384



# DX FORECASTER

Garth Stonehocker, KØRYW

## Equinox DX conditions

March and April, the months of the spring equinox, show rapidly changing DX propagation conditions. One change is the increase in daylight hours. Also during these months geophysically unstable day-to-day phenomena are very noticeable. Weather storms come and go quickly across our skies, and you'll have nights and/or days of poor radio propagation conditions. Because DX propagation is so variable, you might try keeping up with these changes scientifically, or forecasting the DX conditions for a few hours or days. One forecasting system is based on two geophysical daily indices that are useful for predicting trends. These indices are the solar flux daily index and geomagnetic field disturbances.

The solar flux daily index is a measure of the radiated solar energy coming to earth. It's used to determine the electron density of the ionosphere during these rapidly changing months. There's about a 5-percent change between summer and winter (winter is the maximum). This year the 22nd sunspot cycle is the largest change affecting the solar flux. But remember the most rapid time of seasonal change (5 percent) is during the equinox months. The range of maximum usable frequencies in the E and F regions and signal absorption in the D region

vary directly with the sun's radiation, as measured by the solar flux.

Rapid solar flux changes aren't the only cause of unstable propagation conditions in the mid- to high latitudes. Geomagnetic field disturbances also cause variable propagation conditions. These disturbances to the basic trend of the solar flux are short lived; they average two days if flare induced, and a day or two longer if due to coronal thinness. Either way, they are caused by particles flowing from the sun as solar wind. The wind enters the earth's atmosphere in the polar regions — around 80 degrees on the sunward side. As the particles enter the D and E regions, they decrease the signal strength and cause flutter, fading, and even total signal disappearance. Later during the night at lower latitudes (sometimes down to around 60 degrees) the F region becomes depleted, lowering the MUF there.

Both of these indices (geomagnetic and flux) are broadcast from radio frequency and time station WWV at 18 minutes after each hour. By keeping track of the daily values and noting the trend, you can forecast by extrapolation the continued direction of DX propagation conditions — both signal strength and MUFs. Increased solar flux means an immediate signal strength decrease, but within a day or two there will be increased MUFs with the potential for higher signals. For DX, increased geomagnetic A or K means decreased and variable signal strength and MUFs. On paths near the equator the MUFs rise with an increasing A index. You can try this forecasting method for your favorite DX path, or for DX conditions in general.

## Last-minute forecast

March propagation conditions should mirror February's, as the 27-day solar rotation cycle is the most influential predictor available in this part of the 11-year sunspot cycle and it coincides with February's 28-day length. Expect the first 10 days of the month to favor the higher frequency bands with high MUFs and signal absorption from a solar flux maximum. Long skip with some chance for transequatorial openings should be available to southern countries. The lower bands will be most favorable for nighttime openings to northern and east-west countries from the 16th to the 24th. The solar flux is expected to climb after this date. Disturbed conditions may affect the bands near March 2nd, 10th, 19th, and 29th.

No regular meteor showers occur in March. The full moon is on the 22rd and its perigee is on the 8th. The vernal equinox is on March 20st at 1539 UTC. A partial (0.83 percent) solar eclipse is expected on the 7th from 1617 to 1958 UTC. It will be visible in Hawaii, the United States, Canada, and Greenland.

## Band-by-band summary

Ten meters will be open to the south and southeast for an hour before local noon, to the south at noon, and to the southwest in the afternoon. The openings will be longer when the solar flux is at its 27-day cycle maximum. Transequatorial openings will also be best at that time.

Fifteen, 17, and 20 meters, almost always open to some part of the world, will be the main daytime DX bands. Twenty should stay open on long southern paths into the night, while 15 will drop out in the late afternoon. DX is 5000 to 7000 miles (8000-11200 km)



**WESTERN USA**

QAMT	PST	Directional Indicators								
		N	NE	E	SE	S	SW	W	NW	
0900	4:00	15	30	15	10	10	10	10	10	12
0100	5:00	15	30	15	10	10	10	10	10	12
0200	6:00	15*	30	15	12	12	10	10	10	12
0300	7:00	15	30	20	12	12	10	10	10	15
0400	8:00	20	30	20	12	12	12	10	10	15
0500	9:00	20	30	20	15	15	12	12	12	20
0600	10:00	30	30	20	15	15	12	12	12	20
0700	11:00	30	30	20	20	20	15	12	12	30
0800	12:00	30	30	20	20	20	15	15	15	30
0900	1:00	30	30	20	20	20	20	15	15	30
1000	2:00	30	30	20	20	20	20	15	15	30
1100	3:00	30	30	20	20	20	20	20	20	30
1200	4:00	30	20	15	20	30	20	20	20	30
1300	5:00	30	15	12	15	30	20	20	20	30
1400	6:00	30	15	10	15	30	20	20	20	30
1500	7:00	30	12	10	12	15	20	15	15	30
1600	8:00	30	12	10	12	15	15	20	20	30
1700	9:00	30	12	10	10	12	15	15	15	30
1800	10:00	30	15	10	10	12	12	20	20	30
1900	11:00	30	15	10	10	12	12	15	15	20
2000	12:00	30	20	12	10	10	12	15	15	15
2100	1:00	30	20	12	10	10	10	12	12	15
2200	2:00	30	30	12	10	10	10	12	12	12
2300	3:00	20	30	15	10	10	10	12	12	12

**MID USA**

QAMT	MST	Directional Indicators								
		N	NE	E	SE	S	SW	W	NW	
0900	6:00	20	30	15	10	10	10	10	10	12
0100	7:00	15	30	15	10	10	10	10	10	12
0200	8:00	20	30	15	12	12	10	10	10	15
0300	9:00	30	30	20	12	12	12	10	10	15
0400	10:00	30	30	20	12	12	12	12	10	20
0500	11:00	30	30	20	15	15	15	15	15	20
0600	12:00	30	30	20	15	15	15	15	15	20
0700	1:00	30	30	20	20	20	20	20	20	30
0800	2:00	30	30	20	20	20	20	20	20	30
0900	3:00	30	30	15	20	20	20	20	20	30
1000	4:00	20	20	12	20	20	20	20	20	30
1100	5:00	20	20	12	20	20	20	20	20	30
1200	6:00	15*	20	10	15	30	20	20	20	30
1300	7:00	15	15	10	15	15	20	15	15	30
1400	8:00	20	15	10	12	15	20	15	15	30
1500	9:00	30	12	10	12	15	20	20	20	30
1600	10:00	30	12	10	12	15	20	20	20	30
1700	11:00	30	15	10	10	12	15	15	15	30
1800	12:00	30	15	10	10	12	12	15	15	20
1900	1:00	30	20	12	10	10	12	15	15	15
2000	2:00	30	20	12	10	10	10	12	12	15
2100	3:00	30	30	12	10	10	10	12	12	15
2200	4:00	30	30	15	10	10	10	12	12	12
2300	5:00	30	30	15	10	10	10	12	12	12

**EASTERN USA**

QAMT	EST	Directional Indicators								
		N	NE	E	SE	S	SW	W	NW	
0900	7:00	20	30	15	10	10	10	10	10	15
0100	8:00	30	30	15	12	10	12	10	10	20
0200	9:00	30	30	15	12	12	12	15	10	20
0300	10:00	30	30	20	12	12	12	15	15	30
0400	11:00	30	30	20	15	12	20	15	15	30
0500	12:00	30	30	20	15	15	20	15	15	30
0600	1:00	30	30	20	15	15	20	15	15	30
0700	2:00	30	30	20	20	20	20	20	20	30
0800	3:00	30	30	20	20	20	20	20	20	30
0900	4:00	20	30	20	20	20	20	20	20	30
1000	5:00	15*	20	12	20	20	20	20	20	30
1100	6:00	15	20	12	20	20	20	20	20	30
1200	7:00	15	20	10	15	20	20	15	15	30
1300	8:00	20	20	10	15	15	20	15	15	30
1400	9:00	20	15	10	12	15	20	15	15	30
1500	10:00	30	15	10	12	15	20	15	15	30
1600	11:00	30	15	10	12	15	20	20	20	30
1700	12:00	30	15	10	10	12	15	15	15	30
1800	1:00	30	15	10	10	12	12	15	15	20
1900	2:00	30	20	10	10	12	12	12	12	15
2000	3:00	30	20	12	10	10	10	12	12	15
2100	4:00	30	30	12	10	10	10	12	12	12
2200	5:00	30	30	12	10	10	10	12	12	12
2300	6:00	30	30	15	10	10	10	12	12	12

\*The italicized numbers signify the bands to try during the transition and early morning hours, while the standard type provides MUF during "normal" hours.  
 \*Look at next higher band for possible openings.

High Performance

# vhf/uhf preamps



Receive Only	Freq. Range (MHz)	N.F. (dB)	Gain (dB)	1 dB Comp. (dBm)	Device Type	Price
P28VD	28-30	<1.1	15	0	DGFET	\$29.95
P50VD	50-54	<1.3	15	0	DGFET	\$29.95
P50VDG	50-54	<0.5	24	+12	GaAsFET	\$79.95
P144VD	144-148	<1.5	15	0	DGFET	\$29.95
P144VDA	144-148	<1.0	15	0	DGFET	\$37.95
P144VDG	144-148	<0.5	24	+12	GaAsFET	\$79.95
P220VD	220-225	<1.8	15	0	DGFET	\$29.95
P220VDA	220-225	<1.2	15	0	DGFET	\$37.95
P220VDG	220-225	<0.5	20	+12	GaAsFET	\$79.95
P432VD	420-450	<1.8	15	-20	Bipolar	\$32.95
P432VDA	420-450	<1.1	17	-20	Bipolar	\$49.95
P432VDG	420-450	<0.5	16	+12	GaAsFET	\$79.95

Inline (rf switched)						
Model	Freq. Range (MHz)	N.F. (dB)	Gain (dB)	1 dB Comp. (dBm)	Device Type	Price
SP28VD	28-30	<1.2	15	0	DGFET	\$59.95
SP50VD	50-54	<1.4	15	0	DGFET	\$59.95
SP50VDG	50-54	<0.55	24	+12	GaAsFET	\$109.95
SP144VD	144-148	<1.6	15	0	DGFET	\$59.95
SP144VDA	144-148	<1.1	15	0	DGFET	\$67.95
SP144VDG	144-148	<0.55	24	+12	GaAsFET	\$109.95
SP220VD	220-225	<1.9	15	0	DGFET	\$59.95
SP220VDA	220-225	<1.3	15	0	DGFET	\$67.95
SP220VDG	220-225	<0.55	20	+12	GaAsFET	\$109.95
SP432VD	420-450	<1.9	15	-20	Bipolar	\$62.95
SP432VDA	420-450	<1.2	17	-20	Bipolar	\$79.95
SP432VDG	420-450	<0.55	16	+12	GaAsFET	\$109.95

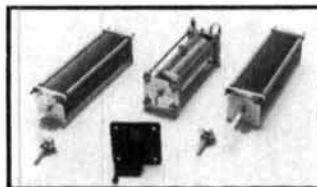
Every preamplifier is precision aligned on ARR's Hewlett Packard HP8970A/HP346A state-of-the-art noise figure meter. RX only preamplifiers are for receive applications only. Inline preamplifiers are rf switched (for use with transceivers) and handle 25 watts transmitter power. Mount inline preamplifiers between transceiver and power amplifier for high power applications. Other amateur, commercial and special preamplifiers available in the 1-1000 MHz range. Please include \$2 shipping in U.S. and Canada. Connecticut residents add 7-1/2% sales tax. C.O.D. orders add \$2. Air mail to foreign countries add 10%. Order your ARR Rx only or inline preamplifier today and start hearing like never before!

## Advanced Receiver Research

Box 1242 • Burlington, CT 06013 • 203 582-9409



### 1500+ WATT TRANSMATCH KIT \$169.95



#### BASIC KIT—INDIVIDUAL ITEMS

- 1 - rotary inductor 28µh.....\$59.00
- 2 - 6:1 ball drives.....\$9.00 ea.
- 1 - 0-100 turns counter.....\$65.75
- 1 - turns counter, economy (Groth).....\$19.95
- 2 - variable capacitors
- 25-245 pf 4500 v.....\$44.00 ea.

#### OPTIONS—

- enclosure (pictured in Sept. 86 CQ).....\$64.00
- 4:1 balun kit.....\$22.50

dials, terminals, chassis, ceramic standoffs, hardware, toroids, amp components, B&W coil stock, etc.

#### OTHER KITS

- G3RUH, PSK Packet Modem, Satellite and Terrestrial.....\$111.00
  - G3RUH, OSCAR 13 Telemetry Demodulator.....\$144.95
  - QRP 20, 5w, 20 meter Transceiver (HR 1/89).....\$124.95
  - W1FB 160/80 Pre Amp (QST 8/88).....\$19.95
  - K9CW Memory Contest Keyer.....\$109.00
  - Yaesu FRG-9600, .1 to 60 MHz Converter.....\$94.95
  - 20m CW, 15w Transceiver (H.R. 6/87).....\$159.95
  - 50W 75M SSB SCVR.....\$199.95
- Factory Wired**
- Amp Supply/Ameritron/TenTec Products.....CALL
  - B&W PT-2500A Amp.....\$1,670.00
  - B&W VS 1500A Tuner.....\$388.00
  - Nel-Tech DVK-100A (Free Repeat Option).....\$249.00
  - Ten-Tec Complete Product Line.....CALL

**RADIO KIT • P.O. Box 973-H** Shipping Extra  
Pelham, NH 03076 • (603) 635-2235 Catalog \$1.00

VISA/MasterCard

on these bands and one-long-hop transequatorial propagation is also possible, as on 10 meters.

Thirty and 40 meters are both day and night bands. Intermediate distances (1000-1500 miles, 1500-2200 km) in any direction represent daytime DX. Nighttime DX on these bands may be expected to offer a greater distance than on 80 meters and, like 80, to follow the darkness path across the sky. Reduced midday signal strengths and distances may occur on days of high solar flux values.

Eighty and 160 meters will exhibit short-skip conditions during daylight hours and lengthen for DX at dusk. These bands follow the darkness path, opening to the east just before local sunset, swinging more to the south near midnight, and ending up in the Pacific areas shortly before dawn. The 160-meter band opens later and ends earlier.

Article M

HAM RADIO

102

### DOWN EAST MICROWAVE

#### MICROWAVE ANTENNAS AND EQUIPMENT

- Loop Yagis • Power Dividers • Linear Amplifiers • Complete Arrays • Microwave Transverters • GaAs FET Preamps
- TROPO • EME • Weak Signal • OSCAR • 902 • 1269 • 1296 • 2304 • 2400 • 3456 MHz

2345 LY	45el	loop Yagi	1296 MHz	20dBI	\$97
1345 LY	45el	loop Yagi	2304 MHz	20dBI	\$84
3333 LY	33el	loop Yagi	902 MHz	18.5dBI	\$97

Above antennas assembled and tested. Kits available.  
Add \$8 UPS S/H, \$11 West of the Mississippi

#### MICROWAVE LINEAR AMPLIFIERS SSB, ATV, REPEATER, OSCAR

2316 PA	1w in 18w out	1240-1300 MHz	13.8V	\$255
2335 PA	10w in 35w out	1240-1300 MHz	13.8V	\$305
3318 PA	1w in 20w out	900-930 MHz	13.8V	\$255
3335 PA	10w in 40w out	900-930 MHz	13.8V	\$305
23LNA preamp	0.7dB N.F.	1296 MHz		\$ 80
33LNA preamp	0.9dB N.F.	902 MHz		\$ 80

Add \$5 shipping UPS/48  
LMW 1296 & 2304 MHz transverter kits in stock  
Write for free catalog

**DOWN EAST MICROWAVE**  
Bill Olson, W3HQT  
Box 2310, RR 1, Troy, ME 04987  
(207) 948-3741

127

194



## LOW BAND DX-ING COMPUTER PROGRAMS

by John Devoldere, ON4UN, for  
Apple IIe/c, MS-DOS, Commodore  
C-128 Apple Macintosh and Kaypro  
CPM Computers

Here's a collection of 30 super programs written by ON4UN. Just about every interest or need is covered—from antenna design and optimization to general operating programs. Antenna programs include: shunt and series input L network design, feedline transformer, shunt network design, SWR calculation, plus 11 more! General Ham programs include: sunrise/sunset, great circle distances, grayline, vertical antenna design program, sunrise calendar plus 9 more! Phew. When you sit down to use these programs you'll be amazed at what you have. The best value in computer software available today. © 1986.

- UN-Apple IIe/IIc \$39.95 ea.
- UN-MS (MS-DOS) \$39.95 ea.
- UN-CPM/Kaypro \$39.95 ea.
- UN-C-128 (COMMODORE) \$39.95 ea.
- UN-MAC (MACINTOSH) \$49.95

## LOW BAND DX'ING by John Devoldere ON4UN

Now Available! The new, 2nd edition of the definitive book on Low Band DX'ing. Based upon years of practical on-the-air experience, learn the secrets of how ON4UN has been so successful on the low bands. Extensive coverage is given to transmit and receive antennas with clear concise explanations and plenty of illustrations—dipoles, inverted V's, slopers, phased arrays and Beverages—they're all in this book. Also covered: propagation, transmitters, receivers, operating, software and an extensive Low Band bibliography. Going to be a best seller! Get yours today. © 1987 2nd Edition 200 pages

- AR-UN Softbound \$9.95

## BUY'EM BOTH SPECIAL OFFER

Book & Software Reg. \$49.90  
(\$59.90 for Mac)

Just \$44.90 (\$54.90 for Mac)

- UN-SO (specify computer) \$44.90
- UN-MSO Macintosh Special \$54.90

## SAVE \$5

Please enclose \$3.50 shipping & handling

# HAM BOOKSTORE RADIO

GREENVILLE, NH 03048 603-878-1441



## Wideband Preamp 10-1000 Mhz

Dual GasFet low noise preamplifier for HF, UHF or VHF systems. Just perfect for the R-7000. Excellent for Spec Analyzers, Scanners, etc. Gain 20 Db +/- 1 DB, -3 Db at 2 & 1100 Mhz. 1 Db compression of >10 Dbm. Intercept points >45 Dbm. New shipped price of only \$124.95. Pa. residents please add 6% state tax.

## GTI Electronics

RD 1 BOX 272 ✓ 195  
Leighton, Pa. 18235  
717-386-4032

## LOGWRITE™

Bring your station into the computer age with LOGWRITE, the menu driven, user friendly logging program written by Ed Troy (NG3V). LOGWRITE is the perfect accessory for the complete ham station. It simplifies your operation and gives you the competitive edge in contesting and DX'ing. LOGWRITE works with all IBM PC's and compatibles.

LOGWRITE's unique split screen feature allows for simultaneous logging and text processing. Logging features include:

- Instant call sign or prefix search
- Print, Edit, or View records
- Plenty of room for notes & addresses
- Automatic time/date stamping

Text processor features automatic word wrap, backspace correct, and scrolling. Throw away your pen and paper!

To order your copy of LOGWRITE, complete with instruction manual, send \$24.95 (Pa. residents add \$1.50 sales tax) to:

Aerospace Consulting  
P.O. Box 536, Buckingham, PA 18912  
(215) 345-7184

Or call 1-(800) 345-4156 ext. 54 to order with Visa/Master Card. (Please specify 3.5 or 5.25 inch floppy.) ✓ 104

## ANTENNA MODELING



Easy to use, with menus, and optional mouse. Enter parameters, and get a color coded sinusoidal projection of a MW or SW antenna. Move over the projection with a mouse or cursor and read the gain at that point.

**LONG WIRE PRO** models long wires, vee's, dipoles, and rhombics displaying a sinusoidal projection. \$40

**VERTICAL PRO** models single verticals or arrays displaying a sinusoidal projection, a ground wave plot, and the impedance of each element. \$80

IBM PC compatible, DOS 2.0 or higher, 256K, CGA or EGA color required. International orders add \$5 shipping.



EPSILON CO ✓ 129

Box 715, Trumbull CT, 06611, (203) 261-7694

# MADISON SHOPPER

## CALL FOR ORDERS

1 (800) 231-3057  
1-713-520-7300 OR 1-713-520-0550  
TEXAS ORDERS CALL COLLECT  
FAX 1-713-771-7759

ALL ITEMS ARE GUARANTEED OR  
SALES PRICE REFUNDED



New Icom IC 781  
Kenwood TH215A, TH25AT  
TS440 S/AT

Trades wanted  
Trade in your old HT  
Call



Kenwood TS 140S  
New Kenwood TM 721A, mobile  
ICOM 228H/TTM

Call for trade  
Call  
449.00



TS 790A Superior 2 Meter 70 cm Rig.  
1.2 GHz Option Available  
Icom 761

Call  
2250.00

ICOM External relay box

Specify Radio and Amp

HEIL BM10 Boom Mike, wired 8 pin 69.00

HEIL HM5 Desk Mike 62.00

NYE MB5A Tuner 569.00

Alpha Delta Transstrap HV 33.00

CSI Private Patch V 469.00

Ameco PT 3 Pre Amp 99.00

Larsen 2 meter on glass 49.95

Anteco 2M, 5/8, Mag Mount, Comp 25.00

Van Gordon G5RV 44.00

Bird 43, elements/stock

Thousands of panel meters 3.95 up CALL

Belden 9913, 8267, 8214 Stock

New Ten Tec Omni V DX rig extraordinary 1895.00

MICA Capacitors

Arista SWR Bridge 3:30 MHz 19.95

831SP PL259 Silverplate (Amphenol) 1.50

82-61 N Male (Amphenol) 3.50

82-202-1006 N Male (9913) 3.50

Double Female UHF 1.00

UG 176 RGBX each 40

Surplus Elbow PL259 50239 each \$1

Receiving tubes 50-90% off list price

Santec Boom Mike/Headset (fits ICOM) 20.00

Rohn SA 25G 67 (67 inside arm) each 125.00

STUPH

Throat Mike (new mil. surplus) 5.00

ANBH-1 600 Ohm Headphones (new mil. surplus) 5.00

New Demo Units for Sale

ICOM IC-575A, 275H, 375A 1100.00

ICOM IC-471H 800.00

**USED EQUIPMENT**

All equipment, used, clean, with 90 day warranty and 30

day trial. Six months full trade against new equipment. Sale

price refunded if not satisfied.

(800) 231-3057

**POLICIES**

Minimum order \$10.00. Mastercard, VISA, or C.O.D. All prices

FOB Houston, except as noted. Prices subject to change without

notice. Items subject to prior sale. Call anytime to check the status

of your order. Texas residents add sales tax. All items full fac-

tory warranty plus Madison warranty.

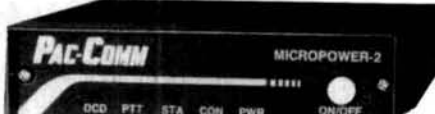
**Bird and Belden products in stock. Call today.**

# MADISON Electronics Supply

3621 FANNIN  
HOUSTON, TEXAS 77004



# Affordable Packet



**TINY-2** is our new low-cost high-performance standard for packet controllers. Thousands already in use, worldwide. A perfect beginner's unit.

Complete, wired and tested, only **\$119.95**

**BENEFITS and features of both units:**

- Optional personal message system (mini-BBS) Add \$10.00
- Tiny enough for briefcase/portable or large enough for easy installation or repair.
- 1-year limited warranty
- Custom programming excellent
- R... compatible—all

**MICROPOWER-2** is our new compact, 18-ounce unit using TAPR TNC-2 technology. Operates less than 40 mA. Fully portable operation. You need not pay... that's about the size

was \$179.95, now at a low **\$159.95**

Fully compatible with ROSE & NET/ROM EPROMs.

- 32K RAM, 32K ROM, 4.9 MHz CPU.
- Xtal controlled modem, compatible with use on 10m HF/VHF/UHF.

**TO ORDER, toll-free with major charge card, call: 1-800-223-3511**

Technical support line: 813-874-2980

**Pac-Comm's New 9600 Baud Modem is now Ready—Only \$99.95**

Compatible—all applied.

25 software, AP (KISS) module included.

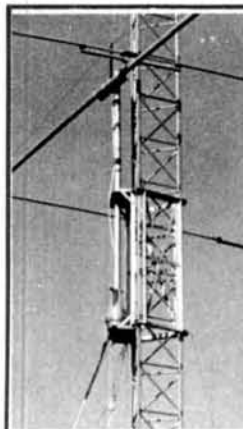
## Pac-Comm

3652 West Cypress St., Tampa FL 33607

Please send:  Tiny 2  MicroPower-2  TNC-220 info  FREE Packet Catalog.

Name \_\_\_\_\_ Call \_\_\_\_\_  
 Address \_\_\_\_\_ City \_\_\_\_\_  
 State \_\_\_\_\_ Zip \_\_\_\_\_ Card Number \_\_\_\_\_ Exp. Date \_\_\_\_\_

**Money Back Guarantee.** Add \$3. shipping/handling per order, FL addresses add 6%. Major Credit Card: give number, expiration and signature. FAX: 813-872-8696



## SAVE TIME and MONEY with THE HAZER

**Bring things down for safety and convenience.**

Never climb your tower again with this elevator system. Antennas and rotator mount on HAZER, complete system trams tower in vertical upright position. Safety lock system operates while raising or lowering. Never can fall.

Complete kit includes winch, 100 ft. of cable, hardware and instructions. For Rohn 20 and 25 G Towers.

Hazer 2-Heavy duty alum. 12 sq. ft. load **\$311.95 ppd.**  
 Hazer 3-Standard alum. 8 sq. ft. load **\$223.95 ppd.**  
 Hazer 4-Heavy galv. steel 16 sq. ft. load **\$291.95 ppd.**

**NEW for ROHN 45 and 55 Towers**

Hazer 8-Heavy duty galv. steel 16 sq. ft. load **CALL**  
 Ball Thrust Bearing TB-25 for any of above **\$64.50 ppd.**

Send for free details of aluminum towers specifically engineered for use with the Hazer. Two sizes; M-13 (13" wide) and M-18 (18" wide). All bolted construction, no welds. Easy to install hinge base, walk up erection. Complete tower UPS or air freight shippable. Pre-assembled or kit form.

Satisfaction guaranteed. Call today and charge to Visa, MasterCard or mail check or money order.

**GLEN MARTIN ENGINEERING INC.**

Rte 3, Box 322

Boonville, MO 65233

(816) 882-2734 FAX 816-882-7200



## Bind 'em and Find 'em



Keep those valuable issues of Ham Radio like new. Prevent smears, tears and dog ears. Bind 'em together and enjoy for years to come. You'll be happy you did!

### HAM RADIO BINDERS

Beautiful buckram bound, rich brown material with gold embossing. These binders will really dress up your collection of Ham Radio. Year stickers included.

HR-BDL **\$7.95 ea.**  
**3 for \$18.95**

**HAM RADIO'S BOOKSTORE**  
 GREENVILLE, NH 03048

### VHF-UHF POWER DIVIDERS



RF power dividers provides the best way to feed in-phase 2 and 4 antenna arrays to maximize system gain and at the same time reduce losses to a minimum. Covering 144 thru 1296 MHz, this series of VHF/UHF power dividers are premier RF devices designed for a long service life with low SWR and broad operating bandwidth.

Extruded aluminum body with a durable enamel finish in addition to silicon sealing at connector flanges results in a ruggedized unit for all array installations. Available with N-type connectors only, these units are unconditionally guaranteed for 2 years.

MODEL	CONFIG.	PRICE
144-2P	(2 ports)	\$54.00
144-4P	(4 ports)	\$61.00
220-2P	(2 ports)	\$53.00
220-4P	(4 ports)	\$60.00
430-2P	(2 ports)	\$51.00
430-4P	(4 ports)	\$59.00
902-2P	(2 ports)	\$51.00
902-4P	(4 ports)	\$59.00
1296-2P	(2 ports)	\$52.00
1296-4P	(4 ports)	\$60.00

SHIPPING NOT INCLUDED

**STRIDSBERG ENGINEERING, CO.**

P.O. Box 7973 • Shreveport, LA 71107 • USA  
 Phone: (318) 865-0523

### THE RF CONNECTION

"SPECIALIST IN RF CONNECTORS AND COAX"

Part No.	Description	Price
321-11064-3	BNC 2 PST 28 volt coaxial relay, Amphenol Insertion loss: 0 to 0.75GHz, 0.10dB Power rating: 0 to 0.5GHz, 100 watts CW, 2 kw peak Isolation: 0.1 GHz/45db, 0.2 GHz/40db, 0.4 GHz/35db	\$25 used tested
83-822	PL-259 Teflon, Amphenol	1.50
PL-259/ST	UHF Male Silver Teflon, USA	1.50
UG-21D/U	N Male RG-8, 213, 214, Amphenol	2.95
UG-21B/U	N Male RG-8, 213, 214, Kings	4.00
9913/PIN	N Male Pin for 9913, 9086, 8214 fits UG-21D/U & UG-21B/U N's	1.50
UG-21D/9913	N Male for RG-8 with 9913 Pin	3.95
UG-21B/9913	N Male for RG-8 with 9913 Pin	4.75
UG-146/U	N Male to SO-239, Teflon USA	5.00
UG-83/U	Female to SO-239, Teflon USA	5.00

"THIS LIST REPRESENTS ONLY A FRACTION OF OUR HUGE INVENTORY"

**THE R.F. CONNECTION**  
 213 North Frederick Ave. #11  
 Gaithersburg, MD 20877

**(301) 840-5477**

VISA/MASTERCARD: Add 4%  
 Prices Do Not Include Shipping

### Where's the Beam?

There's a 20 meter antenna with real DX Punch hidden in this picture. You can't see it, and your neighbors can't either. But the DX hears it anyway.

How about a low profile 80/40/30 or 40/30/20/15 m. beam? Or a pair of DX grabbing monobanders for the same? All easily fit the pocketbook—from \$29 to \$99.

Unobtrusive DX Gain Antennas for 80 thru 10 Easily hidden • Install Fast • Fixed/Portable Work DX without telling the neighbors

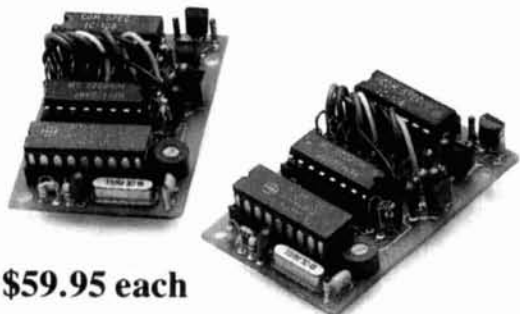
**AntennasWest** Airmail Infopack \$1  
 (801) 373-8425 Box 50062-H, Provo, UT 84605



# Eureka!

We just struck gold with a miniature, high quality and very reliable DTMF decoder at a rock bottom price of \$59.95. Our DTD-1 will decode 5040, 4 digit codes with the security of wrong digit reset. It contains a crystal controlled, single chip DTMF decoder that works great in bad signal to noise environments and provides latched and momentary outputs. Why carry that heavy gear when its size is only 1.25 x 2.0 x .4 inches and it comes with our etched in stone, legendary, one year warranty.

Instead of sifting through the field...searching, use our super quick one day delivery and cash in on a rare find.



**\$59.95 each**

**COMMUNICATIONS  
SPECIALISTS**

426 W. Taft Ave., Orange, CA 92665-4296  
Local (714) 998-3021 • FAX (714) 974-3420  
Entire U.S.A. 1-800-854-0547

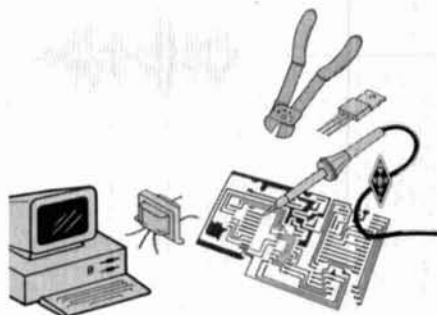


# 3 New Publications



## HINTS AND KINKS for the RADIO AMATEUR

A collection of practical ideas gleaned from the pages of QST

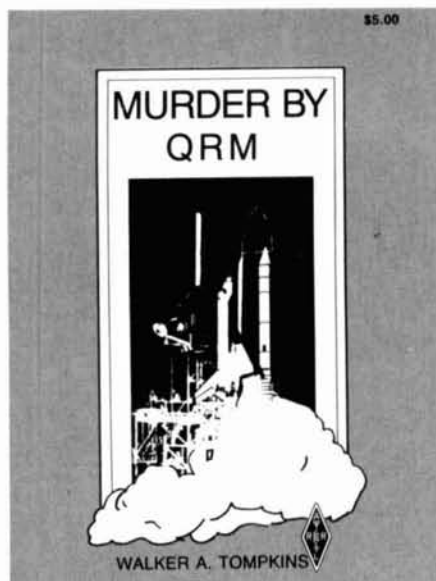


"A terrorist agent, representing an unknown foreign power or an internal subversive group, is bent on crippling or destroying America's space program by operating an illicit radio station from somewhere inside our Lost Padres National Forest wilderness area. A terrorist who has somehow gained access to our secret digital codes, launching schedules and classified radio frequencies required to cause our birds to self-destruct, during or after launch." And so begins a new adventure for Tommy Rockford, K6ATX.

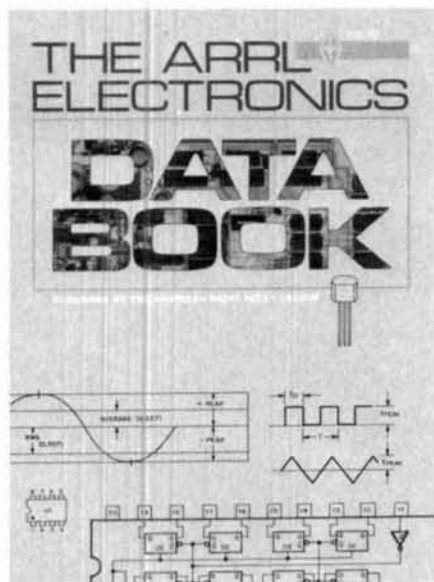
**Murder by QRM** is packed with action. Join K6ATX on an ill-fated search using motorized hang-gliders and then as he backpacks through the wilderness in search of the hidden transmitter site. With the launch of the space shuttle *Conquistador* only hours away will Tommy be able to ferret out the culprits before the fatal destruct signal is sent?

This is the sixth and final ham radio adventure by Walker Tompkins (the real K6ATX) who became a silent key just before the book was published. 194 pages, \$5.00\*

\*For postage and handling add \$2.50 (\$3.50 for insured parcel post or UPS—please specify)



The **ARRL Data Book** is back by popular demand! Doug DeMaw, W1FB has completely revised and expanded the material in this handy reference for the RF design engineer, technician, radio amateur, and experimenter. This *one* source has all of those regularly used tables, charts, and those hard-to-remember formulas. You'll also find hundreds of popular circuit diagrams of oscillators, mixers, amplifiers, other active devices and their operating



parameters. This book can be used alone or to complement **The ARRL Handbook** and belongs in every technical library. Here's a brief summary and chapter lineup: **Symbols, Conversion Factors and Tables; Components and Materials** includes color codes, standard values, toroid selection charts; **Inductors and Transformers; Time and Frequency Measurement; Networks and Filters** covers attenuators and matching network design information; **Digital Basics** is 88 pages of logic, TTL Circuits, specific device descriptions, linear ICs, op-amp applications, and regulators; **Antennas and Transmission Lines; Catalog of Circuit Building Blocks** including audio amps, RF and IF small-signal amplifiers, mixers, FM detectors, oscillators, dc switches and amps, and frequency doublers; **Workshop and Lab Practices**. 234 pages, \$12.00\*

"Gimmicks and Gadgets, Tricks of the Trade." Since 1933, those words have been used to describe **Hints and Kinks for the Radio Amateur**, but it has been almost seven years since the last edition appeared. Well, H&K fans, the long wait is over. The 12th in the series of the most popular QST "Hints and Kinks" contributions is now available, and hams like yourself share their innovations and wizardry. Like its predecessors, this edition has been said to be almost like having a radio club meeting on your bookshelf!

Here's just a sample: **In and Around the Station:** A Universal Equipment Stand, Safe Power Wiring Practices, Stop the Fire, Not Your Gear. **Transmitting and Receiving:** A Two-Transistor Transmitter for 30 Meters, Improvements for the HW-8, FT101ZD, TS830S, SB200, and SB220. **CW Hints:** Magnetic Switch for CW Tune Up, The Sneaky Knee Key for Mobile CW. **Computers and Digital Modes:** A Message-Waiting Indicator for TNCs, Tips for the VIC 20, TRS80 and Apple II. **Antennas and Feedlines:** Inexpensive 30 and 12-Meter Arrays, Retuning Traps for the WARC Bands, Baluns, Tower and Rotator tips. **Shop Secrets:** Tips on soldering and making PC Boards and more! **Tips on Testing:** Simple Logic Probe, plus 11 pages of test equipment and tips. **Portable and Mobile:** Power supplies, antennas, mobile installation tips. **VHF and UHF:** Antennas, amplifiers, CTCSS Tone Generator and more. **Power Supplies:** Power Supplies from Old Battery Chargers, High-Voltage Supply for Mobile Amplifiers. **Taming Interference:** Telephone RFI, TVI, CATV cures. **Miscellaneous:** COR and Timer Circuit, World-Time-Finder Slide Rule, AFSK System for FAX and more. 160 pages, \$5.00\*

(continued from page 6)

in Honolulu from 1934 to 1939 and was acquainted with Kenneth Lum King. He lived just a few blocks from where I lived for a time. I worked him while he was with the expedition on one of the Islands. I find in my log of November 21, 1935 at 4:45 PM Honolulu time that I took a message from him and phoned it to its destination. I also noted that the signal was very wobbly. As I recall, I had to keep turning my dial most of the time to copy him as he drifted too.

The mention of the China Clipper brings back memories. The day that it first arrived in Honolulu, I was camped with a group of school boys at Lailua on the beach and we heard on the radio that the Clipper was nearing the island. We ran out on the beach and looked off to the east, and low on the horizon we could see this big four-engine airplane coming in. It had a letter on it for me from a girlfriend in California, and it was delivered a day or so later. When the Clipper was to return to San Francisco, I along with many others went out to Pearl Harbor to see it take off.

**Walter M. Bolinger, N6UX,  
K6BUX in 1935,  
Keene, Texas 76059**

## Parts kit available from author

Dear HR

Thanks for publishing my article, "A Simple Low-cost Comb Generator Frequency Calibrator," in the July 1988 issue of your magazine.

I have received quite a bit of mail requesting parts for the project. I have therefore put together a complete kit of parts for \$39.95 plus shipping and taxes. Individual parts are priced separately.

Could you please communicate this information to your readers?

**Larry R. Martin, PO Box 997,  
Sebastopol, California 95472**

*Consider it done! Ed.*

## TROUBLESHOOTING MICROPROCESSOR-BASED EQUIPMENT AND DIGITAL DEVICES

Attend this 4-day seminar and master the essentials of microprocessor maintenance. Gain a firm understanding of microprocessor fundamentals and learn specialized troubleshooting techniques

Call or write for brochure with full details and current schedule. Fee is \$845.00;

- 8 and 16 bit systems
- Signature analysis
- Logic analysis
- Machine-language programming
- Diagnostic programs
- Emulation
- Bus Systems

**MICRO SYSTEMS INSTITUTE**

Garnett, Kansas 66032  
(913) 898-4695

✓ 196

## ADVANCED MICROPROCESSOR TROUBLESHOOTING TECHNIQUES

Enhance your digital troubleshooting skills with this new 3-day course. You will learn the latest tips and techniques for troubleshooting all microprocessor-based systems.

Fee is \$795.00. Call or write for brochure with full details and current schedule.

### 1989 SPRING SCHEDULE

- April 12-14 — Chicago
- April 18-20 — Atlanta
- April 25-27 — Dayton
- July 24-25 — Washington, D.C.

**MICRO SYSTEMS INSTITUTE**

Garnett, Kansas 66032  
(913) 898-4695

## Subscribe Today

Call Toll Free  
(orders only)

**1 (800) 341-1522**

Have your credit card  
ready

**Ham Radio Magazine**

## Electronic Repair Center

Servicing

Amateur

Commercial Radio

The most complete repair facility on the East Coast.

Large parts inventory and factory authorized warranty service for Kenwood, Icom and Yaesu.

**SEND US YOUR PROBLEMS**

Servicing "Hams" for 30 years, no rig too old or new for us.

**HAMTRONICS, INC.**

4033 Brownsville Road

Trevose, Pa. 19047

**215-357-1400**



## ANTENNA ANALYSIS

The new MN program will analyze almost any antenna made of wire or tubing. Compute forward gain, F/B, beamwidth, sidelobes, current, impedance, SWR, near-fields, and far-fields, in free space or over realistically-modeled earth. Plot antenna radiation patterns on your graphics screen. MN can compute the interaction among several nearby antennas. The 5-1/4" MN disk contains over 100 files, including libraries of antenna and plot files, a file editor, and extensive documentation. MN is an enhanced, easy-to-use version of MININEC for IBM-PC. \$75 (\$80 CA & foreign).

## YAGI OPTIMIZER

The remarkable new YO program automatically adjusts Yagi element lengths and spacings to maximize forward gain, optimize pattern, and minimize SWR. Radiation patterns at band center and edges are updated on your screen during optimization. YO is extremely fast, computing several trial Yagi designs per second with 8087. YO is a complete Yagi design package for IBM-PC, containing models for gamma and hairpin matches, element tapering, mounting plates, and frequency scaling. A library of Yagi files and extensive documentation are included. \$90 (\$95 CA & foreign).

To order, send a check to:

Brian Beezley, K6STL, 507-1/2 Taylor, Vista, CA 92084

## BATTERIES

Nickel-Cadmium, Alkaline, Lithium, Etc.  
**INDUSTRIAL QUALITY**

**YOU NEED BATTERIES?  
WE'VE GOT BATTERIES!**

CALL US FOR FREE CATALOG

✓ 169

**E.H. YOST & CO.**

EVERETT H. YOST KB9X1

7344 TETIVA RD.

SAUK CITY, WI 53583

ASK FOR FREE CATALOG

**(608) 643-3194**



## B & W PRESENTS A WINNING COMBINATION



1500W

### MODEL PT2500A LINEAR AMPLIFIER

The Barker & Williamson PT2500A Linear Amplifier is a completely self-contained table-top unit designed for continuous SSB, CW, RTTY, AM or ATV operation, intended for coverage of all amateur bands between 1.8 MHz and 21 MHz. Two type 3-500z glass envelope triodes provide reliability and rapid turn-on time.

#### FEATURES INCLUDE:

- Full 1500 watt output
- Pi-network input for maximum drive
- Pressurized plenum cooling system
- DC antenna relay for hum-free operation
- Illuminated SWR and power meters
- Vernier tuning for accurate settings
- Pi-L output for greater harmonic attenuation

Ruggedly constructed of proven design, this amplifier reflects the manufacturer's critical attention to details - such as the silver-plated tank coil for maximum efficiency. Cathode zener fuse and internal/external cooling are among the protective and safety devices employed. Input and output impedances are 50 ohms.

Dimensions: 17" wide x 19" deep x 8 1/2" high  
Weight: 80 lbs (shipped in 3 cartons to meet UPS requirements)

Price: \$2175<sup>00</sup> FOB factory. Price includes one year limited warranty.

Call or write factory for complete specifications.



1500W

### MODEL VS1500A ANTENNA COUPLER

The Barker & Williamson VS1500A antenna coupler is designed to match virtually any receiver, transmitter or transceiver in the 160 to 10 meter range (1.8 to 30 MHz) with up to 1500 watts RF power to almost any antenna, including dipoles, inverted vees, verticals, mobile whips, beams, random wire and others, fed by coax cable, balanced lines or a single wire. A 1:4 balun is built in for connection to balanced lines.

#### FEATURES INCLUDE:

- Series parallel capacitor connection for greater harmonic attenuation.
- In-circuit wattmeter for continuous monitoring
- Vernier tuning for easy adjustment.

Front panel switching allows rapid selection of antennas, or to an external dummy load, or permits bypassing the tuner.

Dimension (Approx.) 11" wide x 13" deep x 6" high

Weight: 6 1/2 lbs.

Price: \$499<sup>00</sup> FOB Factory. Fully warranted for one year.



ALL OUR PRODUCTS MADE IN USA  
**BARKER & WILLIAMSON**

Quality Communication Products Since 1932  
At your Distributors. Write or Call  
10 Canal Street, Bristol, PA 19007  
(215) 788-5581

## ADVERTISER'S INDEX AND READER SERVICE NUMBERS

Listed below are the page and reader service number for each advertiser in this issue. For more information on their products, select the appropriate reader service number make a check mark in the space provided. Mail this form to ham radio Reader Service, I.C.A., P.O. Box 2558, Woburn, MA 01801.

Name \_\_\_\_\_ Call \_\_\_\_\_

Address \_\_\_\_\_

City \_\_\_\_\_ State \_\_\_\_\_ Zip \_\_\_\_\_

\*Please contact this advertiser directly.

Please use before April 30, 1989.

READER SERVICE #	PAGE #	READER SERVICE #	PAGE #
101 - Ace Communications, IN.....	31	142 - The Meadowlake Corp.....	52
181 - Advanced Computer Controls.....	58	143 - MFJ Enterprises.....	15
102 - Advanced Receiver Research.....	104	144 - Micro Control Specialties.....	50
103 - AEA.....	65	196 - Micro Systems Institute.....	109
104 - Aerospace.....	105	145 - Missouri Radio Center.....	111
105 - All Electronics Corp.....	44	171 - Mobile Mark, Inc.....	12
188 - Aluma Tower Co.....	72	146 - Monitoring Times.....	69
107 - AMC Sales, Inc.....	72	147 - Motron Electronics.....	79
184 - Amidon Associates.....	63	148 - NCG.....	33
109 - AMSAT.....	84	* Nema Electronics.....	60
110 - Antennas West.....	50, 95, 106	* NRI School of Electronics.....	34
183 - Antennex.....	63	149 - Nuts & Volts.....	72
111 - Antique Radio Classified.....	66	150 - OPToelectronics.....	112
112 - ARRL.....	108	151 - P.C. Electronics.....	29
113 - Astron Corp.....	27	152 - Pac-Comm Packet Radio Systems, Inc.....	106
173 - Automated Industrial Electronics.....	21	191 - Palomar Engineers.....	88
* Barker & Williamson.....	110	180 - Periphex Inc.....	50
* Barry Electronics.....	85	153 - Radio Amateur Callbook.....	21
189 - Barry Kutner, W2UP.....	84	154 - Radio Shack.....	19
114 - Bilal Company.....	88	194 - Radiokit.....	104
* Brian Beezley, K6STI.....	109	155 - Ramsey Electronics, Inc.....	87
115 - Buckmaster Publishing.....	50	156 - The RF Connection.....	106
116 - Buckmaster Publishing.....	76	192 - Rutland Arrays.....	95
117 - Buckmaster Publishing.....	84	* Sherwood Engineering.....	84
* Buckmaster Publishing.....	72	158 - Software Systems.....	76
186 - Burghardt Amateur Center.....	66	157 - Software Systems.....	60
118 - C&S Sales.....	22	159 - Stridsburg Engineering Co.....	106
119 - Communication Concepts, Inc.....	79	160 - STV/OnSat.....	101
120 - Communications Specialists.....	107	161 - Synthetic Textiles, Inc.....	52
122 - Connect Systems Inc.....	1	175 - Ten-Tec.....	31
123 - Crystek Crystals.....	100	* U.S. Information Agency.....	80
172 - Cushcraft Corp.....	16	170 - Unadilla Antenna Mfg Co.....	29
124 - Cygnus-Quasar Books.....	100	* Universal Radio.....	84
125 - Datacom, International.....	12	162 - Vanguard Labs.....	76
* Dayton Hamvention.....	48	163 - Varian EIMAC.....	13
185 - Doppler Systems.....	63	164 - VHF Communications.....	79
126 - Doug Hall Electronics.....	52	182 - W & W Associates.....	63
127 - Down East Microwave.....	104	165 - W9INN Antennas.....	84
128 - DRSI.....	99	166 - Wi-Comm Electronics Inc.....	100
* Engineering Consulting.....	25	177 - Wilmanco.....	53
129 - Epsilon Company.....	105	167 - Yaesu USA.....	47
190 - Fair Radio Sales.....	88	168 - Yaesu USA.....	CIII
193 - Findex Worldwide.....	100	169 - E.H. Yost Co.....	109
130 - Gallatin Radio Supply.....	66		
187 - GTI Electronics.....	66		
195 - GTI Electronics.....	105		
179 - HAL Communications Corp.....	49		
134 - Ham Radio Outlet.....	56, 57		
* Ham Radio's Bookstore.....	53, 69, 100, 101, 105		
* Hamtronics, NY.....	97		
* Hamtronics, PA.....	109		
* Heath Company.....	71		
* Heath Company.....	79		
135 - ICOM America, Inc.....	CII		
* International Crystal Mfg Co, Inc.....	60		
136 - International Radio.....	95		
176 - Jan Crystals.....	31		
137 - Jun's Electronics.....	88		
138 - Kantronics.....	55		
139 - KComm, The Ham Store.....	31		
* Kenwood USA Corporation.....	2, 5, 7, CIV		
178 - Larsen Antennas.....	41		
140 - Madison Electronics Supply.....	105		
174 - Madison Electronics Supply.....	25		
* Maggiore Electronic Laboratory.....	11		
141 - Glen Martin Engineering, Inc.....	106		

#### PRODUCT REVIEW/NEW PRODUCT

305 - AEA.....	89
310 - Belden Wire and Cable.....	91
301 - Creative Control Products.....	86
312 - E-Z Hook.....	91
303 - Elenco Electronics Inc.....	86
308 - Elenco Electronics Inc.....	90
* Fundamental Services.....	89
314 - HAPN.....	91
* Heath Company.....	89
311 - JComm.....	91
* Kantronics.....	86, 91
* Kenwood USA Corporation.....	86, 91
313 - R&L Electronics.....	91
309 - Radio Amateur Callbook.....	90
* Radio Shack.....	90
304 - S-Com Industries.....	89
302 - Software Systems Consulting.....	86
306 - The Radio Works.....	90
307 - Tytewadd Power Filters.....	90
* Yaesu USA.....	89



**ORDER  
TOLL-FREE  
1-800-821-7323**

**Dependable Service  
At The Right Price . . . Everytime**

MasterCard—VISA—Discover

# Missouri Radio Center

**KENWOOD**



**TS-940 "DX-CELLENCE"**

- All Band, All Mode Transceiver
- Direct Keyboard Entry
- Engineered for the DX-Minded and Contesting Ham
- Its Got It All!

**YAESU**



**FT-767GX** HF/VHF/UHF BASE STATION

- Add Optional 6m, 2m & 70cm Modules
- Dual VFO's
- Full CW Break-in
- Lots More Features

**ICOM SALE**



**IC-761** HF "PERFORMANCE" RIG

- 160-10M/General Coverage Receiver
- Built-in Power Supply and Automatic Antenna Tuner
- SSB, CW, FM, AM, RTTY
- QSK to 60 WPM

**uniden**



**HR-2510**

- Mobile 10 Meter Transceiver
- SSB/AM/FM/CW
- 25 Watts PEP
- Computer Controlled Operation

**SALE PRICED**

**KENWOOD**



**TS-140S** AFFORDABLE DX-ing!

- HF Transceiver With General Coverage Receiver
- All HF Amateur Bands
- 100 W Output
- Compact, Lots of Features

**YAESU**



**FT-736R** VHF-UHF BASE STATION

- SSB, CW, FM on 2 Meters and 70 cm
- Optional 50 MHz, 220 MHz or 1.2 GHz
- 25 Watts Output on 2 Meters, 220 and 70 cm
- 10 Watts Output on 6 Meters and 1.2 GHz
- 100 Memories

**ICOM**



**IC-781** NEWEST SUPER RIG

- 5 Function Display Screen
- Built-in Spectrum Scope
- 150 Watts Output
- Built-in PS and AT

**ABA** CP-100



Complete Terminal Unit for Morse, Baudot, ASCII, AMTOR

**NOW 1/2 PRICE**  
**CLOSEOUT SPECIAL**  
**ONLY \$169. DELIVERED**

Software Available  
Call Now—Don't Delay

**KENWOOD**



**TS-790A**

NEW ALL MODE BASE

- 2 Meter, 70 cm & Optional 1200 MHz
- 45 Watts (10W on 1200 MHz)
- 59 Memories
- Pending FCC Type Acceptance

**YAESU**



**FT-212RH**

THE "ANSWERING MACHINE" MOBILE

- Rx: 138-174 MHz
- Tx: 144-148 MHz
- 45W Output
- Digital Voice Recorder
- FT-712 RH for 70cm

**ICOM**

**IC-2GAT**  
**IC-4GAT**

2 Meter & 440 Handhelds

- IC-2GAT  
RX 138-174 MHz  
TX 140-150 MHz  
7 Watts
- IC-4GAT  
440-450 MHz  
6 Watts



**ASTRON**



• RS7A . . . \$50	• RS35M . . \$155
• RS12A . . \$72	• VS35M . . \$175
• RS20A . . \$92	• RS50A . . \$199
• RS20M . . \$109	• RS50M . . \$225
• VS20M . . \$129	• RM50M . . \$245
• RS35A . . \$139	• VS50M . . \$239

**KENWOOD**

**TH-25AT**  
POCKET-SIZED AND POWERFUL



- Frequency Coverage: 141-163 MHz (Rx), 144-148 MHz (Tx)
- Front Panel DTMF Pad
- 5 Watts Output
- 14 Memories
- TH-45AT Available for 440 MHz

**ALINCO**

**SUPER SALE**

**ALD-24T**  
2m/70cm  
Dual Band  
Mobile



**\$449.00** Delivered  
25W, 21 Memories, Dual VFO's  
At an Unbeatable Price!

**ICOM**

**IC-32AT**  
SUPER DUALBAND  
FM HANDHELD



- 5 Watts on Both Bands
- Receive 138-174 MHz  
440-450 MHz
- Stores Standard and Odd Offsets

**MFJ SALE MFJ**

LARGEST STOCK OF ALL YOUR MFJ FAVORITE ACCESSORIES  
CALL TODAY FOR BEST PRICE



Extra Savings on the **MFJ-1278**  
Multi-Mode Data Controller

102 N.W. Business Park Lane  
Send SASE For "Used" List

Kansas City, MO 64150

Call Toll Free—9am - 6pm Mon.-Fri. 9am - 2pm Sat.  
In Missouri Call—816-741-8118

**MOST ORDERS SHIPPED SAME DAY**

• DAIWA • HUSTLER

HYGAIN • ICOM •

KANTRONICS • KENWOOD • LARSEN • MFJ • MIRAGE/KLM • NYEVKING • RF CONCEPTS • UNIDEN • YAESU

OPTOELECTRONICS INC.

**NEW****POCKET SIZE****SIZE: 4" H x 3.5" W x 1" D  
MADE IN USA**

# FREQUENCY COUNTERS TO 2.4 GHz

**8 LED DIGITS • 2 GATE TIMES  
ALUMINUM CABINET****INTERNAL NI-CAD BATTERIES INCLUDED  
AC ADAPTER/CHARGER INCLUDED****EXCELLENT SENSITIVITY  
& ACCURACY****AC-DC • PORTABLE  
OPERATION**

Small enough to fit into a shirt pocket, our new 1.3 GHz and 2.4 GHz, 8 digit frequency counters are not toys! They can actually out perform units many times their size and price! Included are rechargeable Ni-Cad batteries installed inside the unit for hours of portable, cordless operation. The batteries are easily recharged using the AC adapter/charger supplied with the unit.

The excellent sensitivity of the 1300H/A makes it ideal for use with the telescoping RF pick-up antenna; accurately and easily measure transmit frequencies from handheld, fixed, or mobile radios such as: Police, firefighters, Ham, taxi, car telephone, aircraft, marine, etc. May be used for counter surveillance, locating hidden "bug" transmitters. Use with grid dip oscillator when designing and tuning antennas. May be used with a probe for measuring clock frequencies in computers, various digital circuitry or oscillators. Can be built into transmitters, signal generators and other devices to accurately monitor frequency.

The size, price and performance of these new instruments make them indispensable for technicians, engineers, schools, Hams, CBers, electronic hobbyists, short wave listeners, law enforcement personnel and many others.

**STOCK NO:**

#1300H/A	Model 1300H/A 1-1300 MHz counter with preamp, sensitivity, < 1mV, 27MHz to 450MHz includes Ni-Cad batteries and AC adapter	\$169.95
#2400H	Model 2400H 10-2400 MHz microwave counter includes Ni-Cad batteries and AC adapter	\$299.95
#CCA	Model CCA counter/counter, for debugging, ultra sensitive, < 50 micro volts at 150MHz! 1-600 MHz with adjustable threshold, RF indicator LED. Includes Ni-Cad batteries and AC adapter	\$299.95

**ACCESSORIES:**

#TA-1005	Telescoping RF pick-up antenna with BNC connector	\$12.00
#P-100	Probe, direct connection 50 ohm, BNC connector	\$20.00
#CC-12	Carrying case, gray vinyl with zipper opening. Will hold a counter and #TA-1000S antenna.	\$10.00

✓ 150

ORDER FACTORY DIRECT

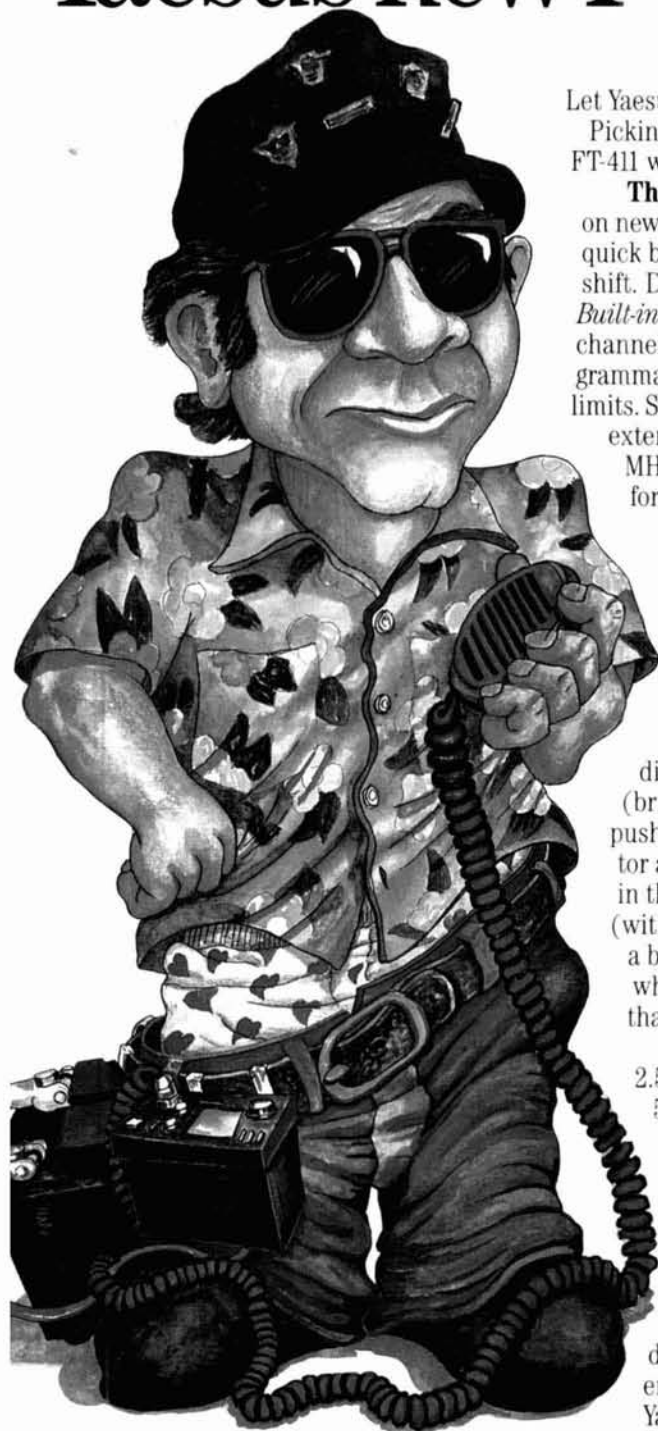
FLA (305) 771-2050

**1-800-327-5912****AVAILABLE NOW!****OPTOELECTRONICS INC.**

5821 N.E. 14th Avenue  
Ft. Lauderdale, Florida 33334

Orders to US and Canada add 5% of total (\$2 min, \$10 max)  
Florida residents add 6% sales tax. COD fee \$2.  
Foreign orders add 15%

# You'll be hard-pressed to beat the performance of Yaesu's new FT-411 handheld.



Let Yaesu's "next generation" handheld lighten your load!

Picking up where our popular FT-209R Series left off, the 2-meter FT-411 will amaze with its astounding array of features!

**The brains of a base station.** "Sophisticated operation" takes on new meaning in the FT-411. You get 49 memories, plus dual VFOs for quick band-hopping. Keyboard frequency entry. Automatic repeater shift. DTMF autodialer with ten memories of up to 15 digits each. *Built-in CTCSS encode/decode.* Selectable channel steps: 5/10/12.5/20/25 kHz. Programmable band scan with upper/lower limits. Selectable memory scan. And extended receive coverage of 140-174 MHz (MARS/CAP permit required for transmit on 140-150 MHz).

Not bad for a handheld measuring just 55(w) x 32(d) x 139(h) mm (the same size as our FT-23R Series HTs)!

**Friendly operation.** For operating convenience, the FT-411's keypad features a "do-re-mi" audible command verification. Both the display and keypad can be backlit (brightly!) for night operation at the push of a button. A rotary channel selector allows fast manual tuning. Or key in the frequency directly. Operate VOX (with YH-2 headset option). Plus you get a battery saver to conserve power while monitoring. And a (defeatable) automatic power-off feature that shuts down your radio if you forget to turn it off!

**High power capability.** The FT-411 comes equipped with the 2.5-watt, 600-mAh FNB-10 battery pack. Try our optional FNB-12 5-watt, 500mAh pack or tiny FNB-9 2.5-watt, 200-mAh pack. Or get 6 watts output by applying 13.8-volts DC from an external power supply.

**Swap options with Yaesu's FT-23R Series.** Our rugged best-seller's chargers, batteries, and microphones are fully compatible with the FT-411. The FT-23R is the perfect companion for the FT-411, and at a great price!

**Try out an FT-411 today.** Ask for it now at your local Yaesu dealer. Or call 1-800-999-2070 for a free brochure. And experience the legendary Yaesu HT performance!



## YAESU

# KENWOOD

...pacesetter in Amateur Radio

All-mode  
tri-bander

## Warp Drive!



### TS-790A Satellite Transceiver

The new Kenwood TS-790A VHF/UHF all-mode tri-band transceiver is designed for the VHF/UHF and satellite "power user." The new TS-790A is an all-mode 144/450/1200 MHz transceiver with many special enhancements such as Doppler shift compensation. Other features include dual receive, automatic mode selection, automatic repeater offset selection for FM repeater use, VFO or quick step channel tuning, direct keyboard frequency entry, 59 memory channels (10 channels for separate receive and transmit frequency storage), multiple scanning and multiple scan stop modes. The Automatic Lock Tuning (ALT) on 1200 MHz eliminates frequency drift. Power output is 45 watts on 144 MHz, 40 watts on 450 MHz, and 10 watts on 1200 MHz. (The 1200 MHz section is an optional module.)

- **High stability VFO.** The dual digital VFOs feature rock-stable TCXO (temperature compensated crystal oscillator) circuitry, with frequency stability of  $\pm 3$  ppm.
- **Operates on 13.8 VDC.** Perfect for mountain-top DXpeditions!
- **The mode switches confirm USB, LSB, CW, or FM selection with Morse Code.**
- **Dual Watch allows reception of two bands at the same time.**
- **Automatic mode and automatic repeater offset selection.**
- **Direct keyboard frequency entry.**
- **59 multi-function memory channels.** Store frequency, mode, tone information, offset, and quick step function. Ten memory channels for "odd split."
- **CTCSS encoder built-in.** Optional TSU-5 enables sub-tone decode.
- **Memory scroll function.** This feature allows you to check memory contents without changing the VFO frequency.

- **Multiple scanning functions.** Memory channel lock-out is also provided.
- **ALT—Automatic Lock Tuning—on 1200 MHz eliminates drift!**
- **500 Hz CW filter built-in.**
- **Packet radio terminal.**
- **Interference reduction controls:** 10 dB RF attenuator on 2m, noise blanker, IF shift, selectable AGC, all mode squelch.
- **Other useful controls:** RF power output control, speech processor, dual muting, frequency lock switch, RIT.
- **Voice synthesizer option.**
- **Computer control option.**

#### Optional Accessories:

- **PS-31** Power supply • **SP-31** External speaker
- **UT-10** 1200 MHz module • **VS-2** Voice synthesizer unit
- **TSU-5** Programmable CTCSS decoder
- **IF-232C** Computer interface • **MC-60A/MC-80/MC-85** Desk mics • **HS-5/HS-6** Headphones
- **MC-43S** Hand mic • **PG-2S** Extra DC cable



Complete service manuals are available for all Kenwood transceivers and most accessories. Specifications, features, and prices are subject to change without notice or obligation.

## KENWOOD

KENWOOD U.S.A. CORPORATION  
2201 E. Dominguez St., Long Beach, CA 90810  
P.O. Box 22745, Long Beach, CA 90801-5745